



PRFL14 TRIMLESS (TRL) FIXTURE INSTALLATION



RISK OF ELECTRICAL SHOCK. DISCONNECT POWER BEFORE INSTALLATION OR SERVICING.




TO BE INSTALLED BY A QUALIFIED ELECTRICIAN IN ACCORDANCE TO LOCAL & NATIONAL ELECTRIC CODES.



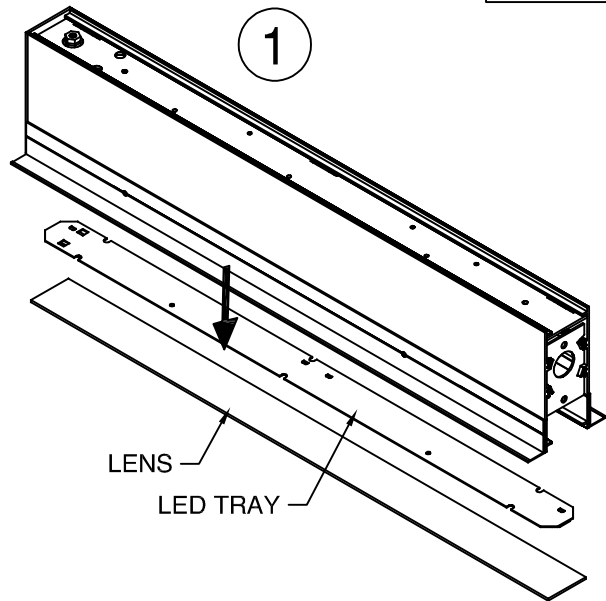
FAILURE TO COMPLY TO INSTRUCTIONS & FORMENTIONED WARNINGS COULD VOID PRODUCT WARRANTY



STRUCTURE TO BE PROPERLY REINFORCED TO SUPPORT WEIGHT OF THE FIXTURE.



MUST INSTALL PRIOR TO CEILING.

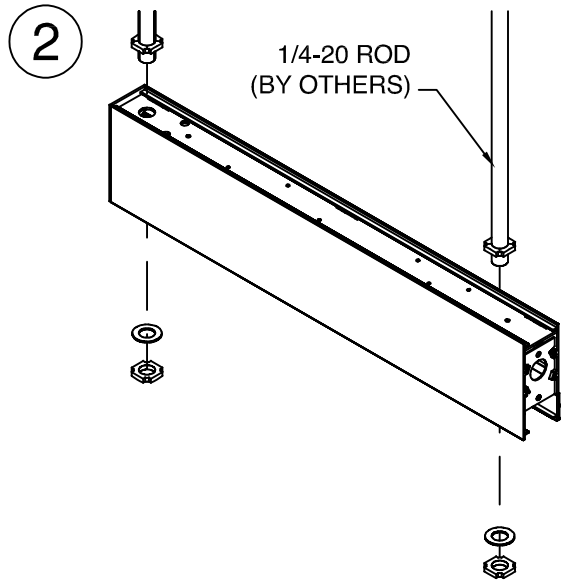


1. REMOVE LENS AND LED TRAY FROM FIXTURE TO BE INSTALLED. **DO NOT MIX LENS OR TRAYS.**

2. MOUNT FIXTURE TO 1/4-20 ROD (BY OTHERS) AT MOUNTING LOCATIONS. REFER TO JOB DRAWINGS FOR MOUNTING LOCATIONS. 1/4-20 ROD MUST BE SECURELY FASTENED TO STRUCTURE.

3. JOIN FIXTURES WITH SUPPLIED HARDWARE. CONNECT WIRE HARNESSSES. CONTINUE INSTALLING AND JOINING FIXTURES UNTIL ROW IS COMPLETE.

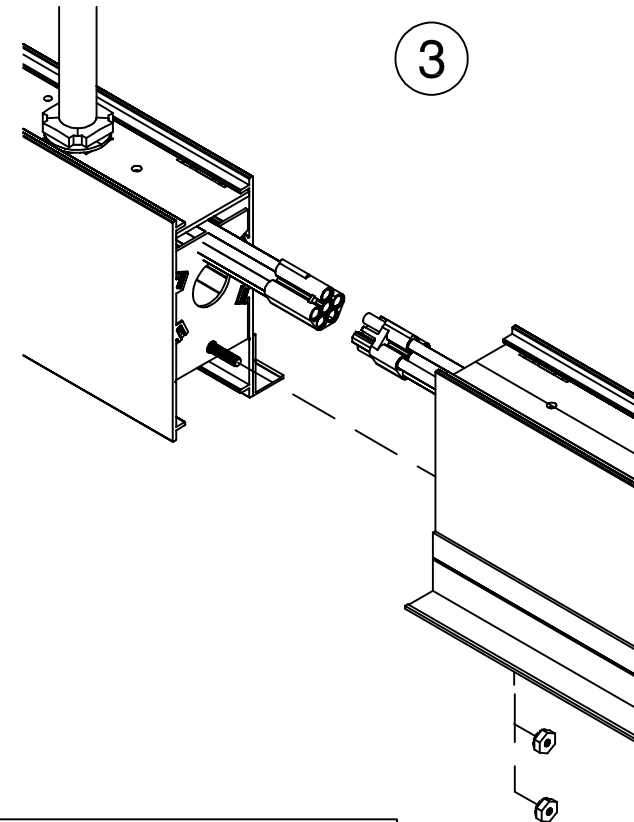

4. DETERMINE POWER FEED LOCATION.



5. CONNECT POWER FEED CONDUCTORS TO APPROPRIATE WIRES OF FIXTURE. USE APPROPRIATE STRAIN RELIEF TO SECURE CORD IN FIXTURE AS REQUIRED BY LOCAL ELECTRICAL CODES. STANDARD WIRING DIAGRAM SHOWN, REFER TO JOB DRAWINGS FOR JOB SPECIFIC WIRING

6. REINSTALL ACCESS PLATE, LED TRAY AND LENS AFTER ALL WIRING CONNECTIONS ARE MADE. RE-INSTALL LED TRAYS AND LENSES IN ALL FIXTURES. INSTALLATION IS COMPLETE

7. AFTER CEILING IS INSTALLED, SECURE TRIM TO CEILING USING APPROPRIATE SCREWS. PLASTER/MUD OVER TRIM TO FIXTURE EDGE. **DO NOT PLASTER/MUD OVER FIXTURE LENS.**

DO NOT PLASTER/MUD OVER FIXTURE LENS.

MUST BE INSTALLED BY A QUALIFIED ELECTRICIAN. DISCONNECT POWER DURING INSTALLATION/SERVICING. ROW CONFIGURATION IS JOB SPECIFIC, CONSULT SHOP DRAWINGS BEFORE CONSTRUCTING ROWS. STANDARD OPTIONS/SIZES SHOWN, OTHER OPTIONS AVAILABLE WITH SIMILAIR INSTALLATION. BE SURE TO UNDERSTAND ALL PROCEDURES PRIOR TO INSTALLATION. IMPORTANT: THE NATIONAL ELECTRIC CODE REQUIRES THAT ANY FIXTURE IN EXCESS OF 50 POUNDS MUST BE INDEPENDENTLY SUPPORTED OF THE OUTLET BOX. DAY-O-LITE IS NOT RESPONSIBLE FOR INADEQUATE REINFORCEMENT OF STRUCTURAL SUPPORT SYSTEMS. DAY-O-LITE RESERVES THE RIGHT TO MAKE ANY MECHANICAL OR MATERIAL CHANGES TO THE FIXTURES WHICH DO NOT AFFECT THE APPEARANCE OR PERFORMANCE. THIS PRINT IS THE PROPERTY OF DAY-O-LITE AND THE INFORMATION IT CONTAINS MAY NOT BE USED WITHOUT WRITTEN CONSENT OF DAY-O-LITE.


MODEL NO.: PRFL14-TRL----

CONTACT INFORMATION:
126 Chestnut Street, Warwick, RI 02888
Tel. (401) 467-8232 | Fax. (401) 941-2960
E-mail: sales@dayolite.com
WWW: http://www.dayolite.com

PAGE: SHEET 1 OF 2


ISSUED ON: 4/29/2020


PART NUMBER: **970085A0**




DAY-O-LITE
Lighting Without Limits

PRFL14 TRIMLESS (TRL) FIXTURE INSTALLATION

 **RISK OF ELECTRICAL SHOCK. DISCONNECT POWER BEFORE INSTALLATION OR SERVICING.**

 **TO BE INSTALLED BY A QUALIFIED ELECTRICIAN IN ACCORDANCE TO LOCAL & NATIONAL ELECTRIC CODES.**

 **DO NOT CONNECT, MODIFY, SPLICE, OR TAP ANY WIRED CONNECTIONS UNDER POWER.**

1. REMOVE LENS AND LED TRAY FROM FIXTURE TO BE INSTALLED. **DO NOT MIX LENS OR TRAYS.**

2. MOUNT FIXTURE TO 1/4-20 ROD (BY OTHERS) AT MOUNTING LOCATIONS. REFER TO JOB DRAWINGS FOR MOUNTING LOCATIONS. 1/4-20 ROD MUST BE SECURELY FASTENED TO STRUCTURE.

3. JOIN FIXTURES WITH SUPPLIED HARDWARE. CONNECT WIRE HARNESSSES. CONTINUE INSTALLING AND JOINING FIXTURES UNTIL ROW IS COMPLETE.

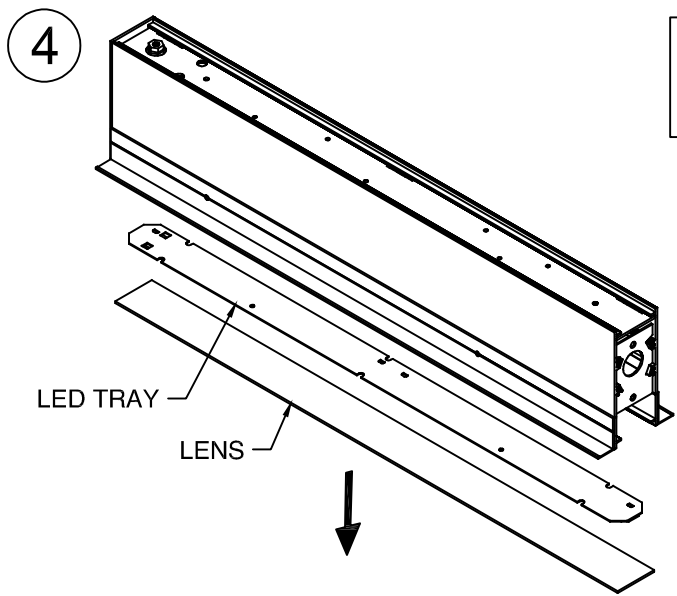
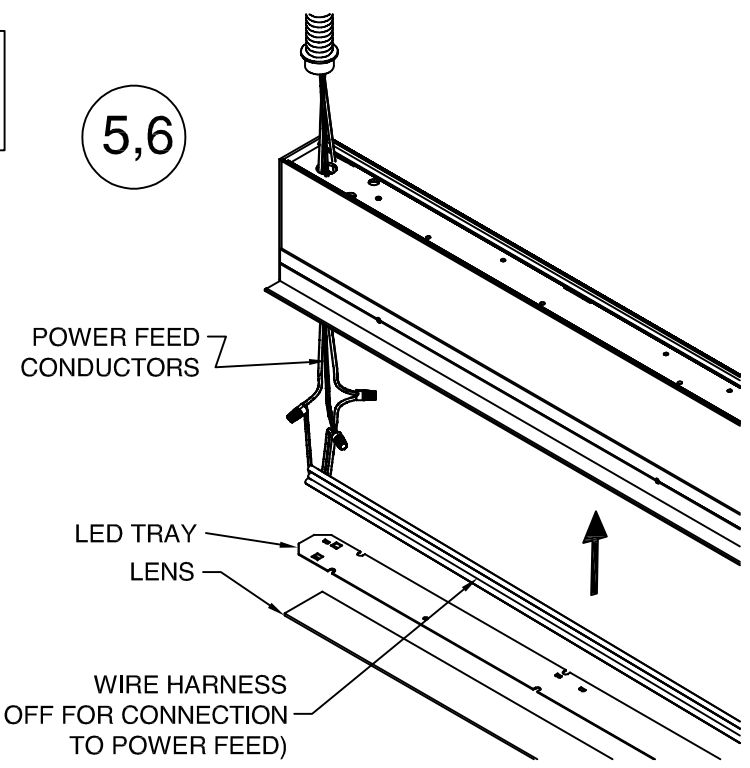
4. DETERMINE POWER FEED LOCATION.


5. CONNECT POWER FEED CONDUCTORS TO APPROPRIATE WIRES OF FIXTURE. USE APPROPRIATE STRAIN RELIEF TO SECURE CORD IN FIXTURE AS REQUIRED BY LOCAL ELECTRICAL CODES. STANDARD WIRING DIAGRAM SHOWN, REFER TO JOB DRAWINGS FOR JOB SPECIFIC WIRING

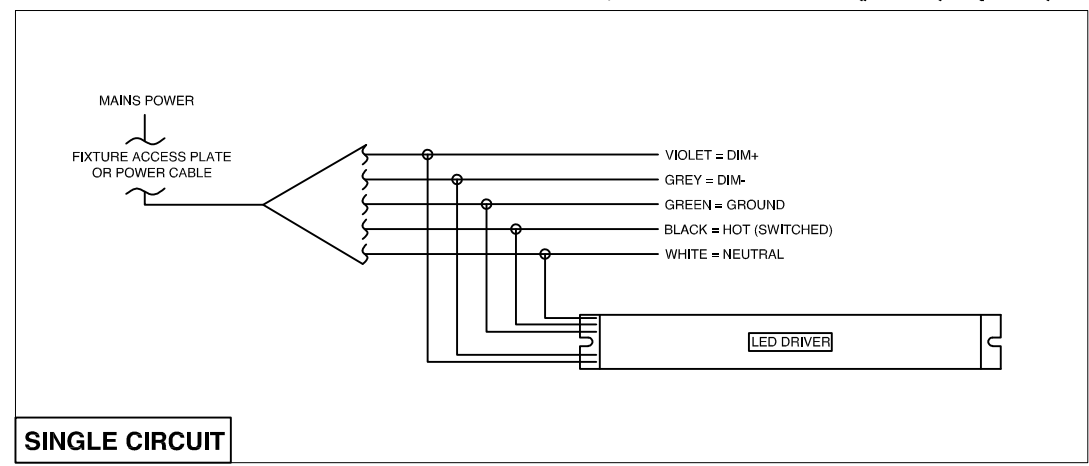
6. REINSTALL ACCESS PLATE, LED TRAY AND LENS AFTER ALL WIRING CONNECTIONS ARE MADE. RE-INSTALL LED TRAYS AND LENSES IN ALL FIXTURES. INSTALLATION IS COMPLETE

7. AFTER CEILING IS INSTALLED, SECURE TRIM TO CEILING USING APPROPRIATE SCREWS. PLASTER/MUD OVER TRIM TO FIXTURE EDGE. **DO NOT PLASTER/MUD OVER FIXTURE LENS.**


5,6



 **MUST INSTALL PRIOR TO CEILING.**



MUST BE INSTALLED BY A QUALIFIED ELECTRICIAN. DISCONNECT POWER DURING INSTALLATION/SERVICING. ROW CONFIGURATION IS JOB SPECIFIC, CONSULT SHOP DRAWINGS BEFORE CONSTRUCTING ROWS. STANDARD OPTIONS/SIZES SHOWN, OTHER OPTIONS AVAILABLE WITH SIMILAIR INSTALLATION. BE SURE TO UNDERSTAND ALL PROCEDURES PRIOR TO INSTALLATION. IMPORTANT: THE NATIONAL ELECTRIC CODE REQUIRES THAT ANY FIXTURE IN EXCESS OF 50 POUNDS MUST BE INDEPENDENTLY SUPPORTED OF THE OUTLET BOX. DAY-O-LITE IS NOT RESPONSIBLE FOR INADEQUATE REINFORCEMENT OF STRUCTURAL SUPPORT SYSTEMS. DAY-O-LITE RESERVES THE RIGHT TO MAKE ANY MECHANICAL OR MATERIAL CHANGES TO THE FIXTURES WHICH DO NOT AFFECT THE APPEARANCE OR PERFORMANCE. THIS PRINT IS THE PROPERTY OF DAY-O-LITE AND THE INFORMATION IT CONTAINS MAY NOT BE USED WITHOUT WRITTEN CONSENT OF DAY-O-LITE.

MODEL NO.: PRFL14-TRL----		PAGE: SHEET 2 OF 2	PART NUMBER: 970085A0 ISSUED ON: 4/29/2020
CONTACT INFORMATION: 126 Chestnut Street, Warwick, RI 02888 Tel. (401) 467-8232 Fax. (401) 941-2960 E-mail: sales@dayolite.com WWW: http://www.dayolite.com		 <p>DAY-O-LITE Lighting Without Limits</p>	