





# APL1999-D-TRL INSTALLATION


 RISK OF ELECTRICAL SHOCK. DISCONNECT POWER BEFORE INSTALLATION OR SERVICING.


 TO BE INSTALLED BY A QUALIFIED ELECTRICIAN IN ACCORDANCE TO LOCAL & NATIONAL ELECTRIC CODES.


 FAILURE TO COMPLY TO INSTRUCTIONS & FORMENTIONED WARNINGS COULD VOID PRODUCT WARRANTY

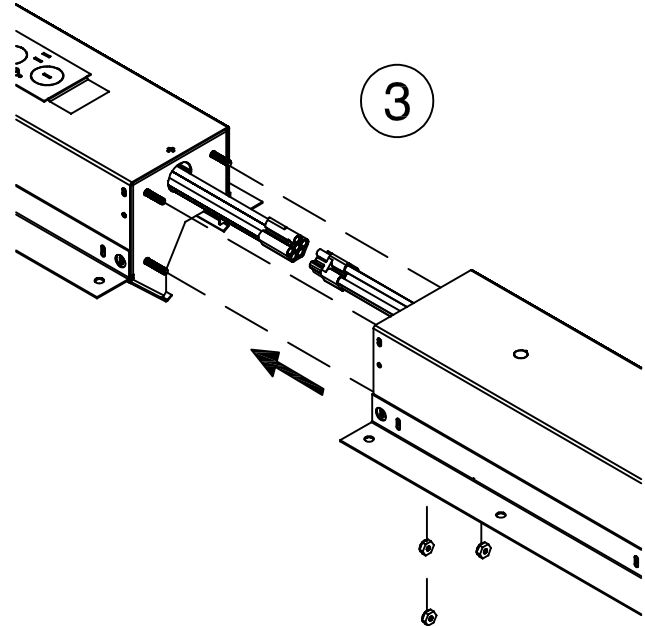
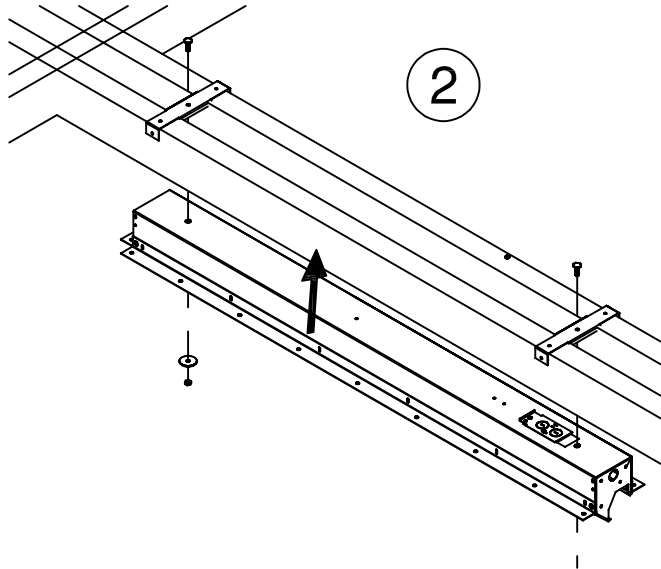
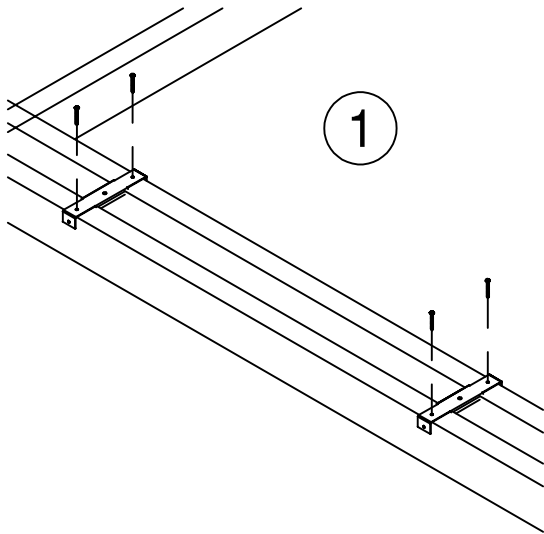
 CEILING TO BE PROPERLY REINFORCED TO SUPPORT WEIGHT OF THE FIXTURE.

 CEILING TO BE PROPERLY REINFORCED TO SUPPORT WEIGHT OF THE FIXTURE.

 MUST INSTALL PRIOR TO CEILING.

 MUST INSTALL PRIOR TO CEILING.

 DO NOT PLASTER/MUD OVER FIXTURE LENS.



1. CONSTRUCT CEILING OPENING AND USE APPROPRIATE HARDWARE TO INSTALL MOUNTING YOKES IN REQUIRED LOCATION. REFER TO JOB DRAWINGS FOR MOUNTING LOCATIONS

2. RAISE FIXTURE INTO OPENING AND SECURE TO YOKE USING SUPPLIED HARDWARE.

3. JOIN FIXTURES WITH SUPPLIED HARDWARE AND CONNECT WIRE HARNESSSES. SECURE FIXTURE TO MOUNTING YOKE. CONTINUE INSTALLING, MOUNTING AND JOINING FIXTURES UNTIL ROW IS COMPLETE.

4. DETERMINE POWER FEED LOCATION. REMOVE ACCESS PLATE FROM FIXTURE TO BE FED.

5. FEED POWER FEED CORD THROUGH ACCESS PLATE. USE APPROPRIATE STRAIN RELIEF TO SECURE CORD IN FIXTURE AS REQUIRED BY LOCAL ELECTRICAL CODES. CUT END FROM HARNESS AND CONNECT POWER FEED CONDUCTORS TO APPROPRIATE WIRES OF WIRE HARNESS. STANDARD WIRING DIAGRAM SHOWN, REFER TO JOB DRAWINGS FOR JOB SPECIFIC WIRING

6. INSTALL CEILING AND SECURE PLASTER FLANGE TO CEILING USING APPROPRIATE HARDWARE (BY OTHERS). PLASTER/MUD OVER PLASTER FLANGE TO FIXTURE EDGE. DO NOT PLASTER OVER LENS

7. REINSTALL ACCESS PLATE, LED TRAY AND LENS AFTER ALL WIRING CONNECTIONS ARE MADE. RE-INSTALL LED TRAYS AND LENSES IN ALL FIXTURES. INSTALLATION IS COMPLETE

MUST BE INSTALLED BY A QUALIFIED ELECTRICIAN. DISCONNECT POWER DURING INSTALLATION/SERVICING. ROW CONFIGURATION IS JOB SPECIFIC, CONSULT SHOP DRAWINGS BEFORE CONSTRUCTING ROWS. STANDARD OPTIONS/SIZES SHOWN, OTHER OPTIONS AVAILABLE WITH SIMILAIR INSTALLATION. BE SURE TO UNDERSTAND ALL PROCEDURES PRIOR TO INSTALLATION. IMPORTANT: THE NATIONAL ELECTRIC CODE REQUIRES THAT ANY FIXTURE IN EXCESS OF 50 POUNDS MUST BE INDEPENDENTLY SUPPORTED OF THE OUTLET BOX. DAY-O-LITE IS NOT RESPONSIBLE FOR INADEQUATE REINFORCEMENT OF STRUCTURAL SUPPORT SYSTEMS. DAY-O-LITE RESERVES THE RIGHT TO MAKE ANY MECHANICAL OR MATERIAL CHANGES TO THE FIXTURES WHICH DO NOT AFFECT THE APPEARANCE OR PERFORMANCE. THIS PRINT IS THE PROPERTY OF DAY-O-LITE AND THE INFORMATION IT CONTAINS MAY NOT BE USED WITHOUT WRITTEN CONSENT OF DAY-O-LITE.

MODEL NO.:  
APL1999-TRL----


CONTACT INFORMATION:  
126 Chestnut Street, Warwick, RI 02888  
Tel. (401) 467-8232 | Fax. (401) 941-2960  
E-mail: sales@dayolite.com  
WWW: http://www.dayolite.com

PAGE:  
SHEET 1 OF 2


PART NUMBER:  
**970100A0**  
ISSUED ON:  
10/8/2020




# APL1999-D-TRL INSTALLATION




**RISK OF ELECTRICAL SHOCK. DISCONNECT POWER BEFORE INSTALLATION OR SERVICING.**



**TO BE INSTALLED BY A QUALIFIED ELECTRICIAN IN ACCORDANCE TO LOCAL & NATIONAL ELECTRIC CODES.**



**DO NOT CONNECT, MODIFY, SPLICE, OR TAP ANY WIRED CONNECTIONS UNDER POWER.**



**CEILING TO BE PROPERLY REINFORCED TO SUPPORT WEIGHT OF THE FIXTURE.**

1. CONSTRUCT CEILING OPENING AND USE APPROPRIATE HARDWARE TO INSTALL MOUNTING YOKES IN REQUIRED LOCATION. REFER TO JOB DRAWINGS FOR MOUNTING LOCATIONS

2. RAISE FIXTURE INTO OPENING AND SECURE TO YOKE USING SUPPLIED HARDWARE.


3. JOIN FIXTURES WITH SUPPLIED HARDWARE AND CONNECT WIRE HARNESES. SECURE FIXTURE TO MOUNTING YOKE. CONTINUE INSTALLING, MOUNTING AND JOINING FIXTURES UNTIL ROW IS COMPLETE.

4. DETERMINE POWER FEED LOCATION. REMOVE ACCESS PLATE FROM FIXTURE TO BE FED.

5. FEED POWER FEED CORD THROUGH ACCESS PLATE. USE APPROPRIATE STRAIN RELIEF TO SECURE CORD IN FIXTURE AS REQUIRED BY LOCAL ELECTRICAL CODES. CUT END FROM HARNESS AND CONNECT POWER FEED CONDUCTORS TO APPROPRIATE WIRES OF WIRE HARNESS. STANDARD WIRING DIAGRAM SHOWN, REFER TO JOB DRAWINGS FOR JOB SPECIFIC WIRING

6. INSTALL CEILING AND SECURE PLASTER FLANGE TO CEILING USING APPROPRIATE HARDWARE (BY OTHERS). PLASTER/MUD OVER PLASTER FLANGE TO FIXTURE EDGE. DO NOT PLASTER OVER LENS

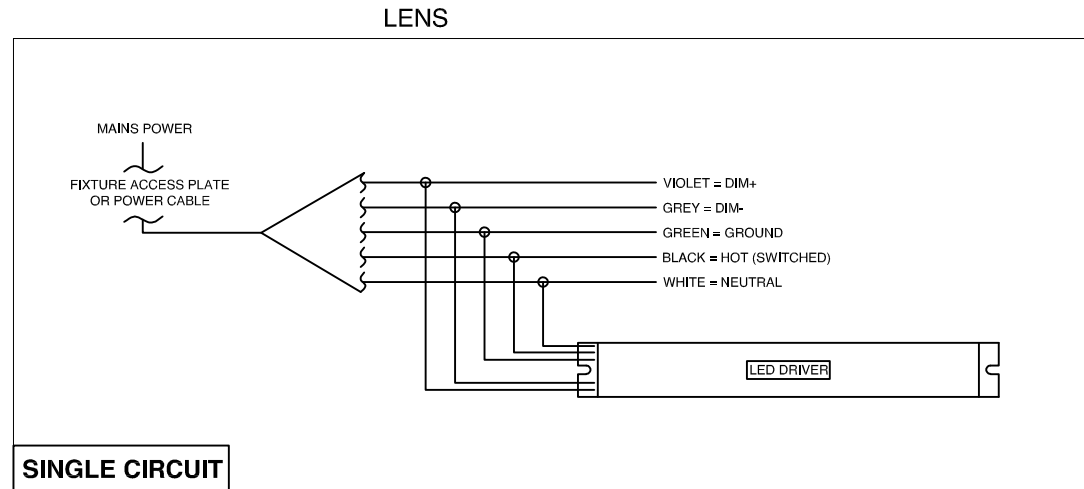
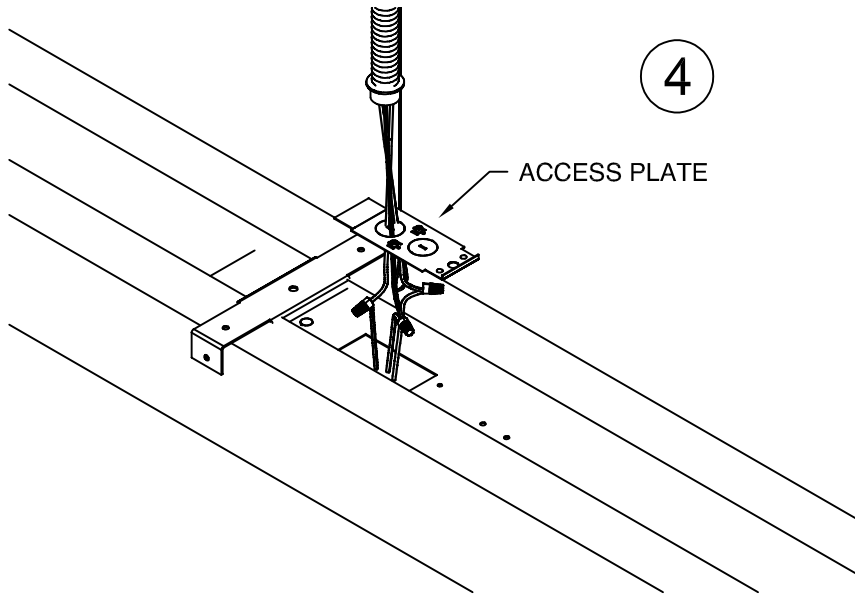
7. REINSTALL ACCESS PLATE, LED TRAY AND LENS AFTER ALL WIRING CONNECTIONS ARE MADE. RE-INSTALL LED TRAYS AND LENSES IN ALL FIXTURES. INSTALLATION IS COMPLETE



**MUST INSTALL PRIOR TO CEILING.**



**DO NOT PLASTER/MUD OVER FIXTURE LENS.**



**MUST BE INSTALLED BY A QUALIFIED ELECTRICIAN. DISCONNECT POWER DURING INSTALLATION/SERVICING. ROW CONFIGURATION IS JOB SPECIFIC, CONSULT SHOP DRAWINGS BEFORE CONSTRUCTING ROWS. STANDARD OPTIONS/SIZES SHOWN, OTHER OPTIONS AVAILABLE WITH SIMILAIR INSTALLATION. BE SURE TO UNDERSTAND ALL PROCEDURES PRIOR TO INSTALLATION. IMPORTANT: THE NATIONAL ELECTRIC CODE REQUIRES THAT ANY FIXTURE IN EXCESS OF 50 POUNDS MUST BE INDEPENDENTLY SUPPORTED OF THE OUTLET BOX. DAY-O-LITE IS NOT RESPONSIBLE FOR INADEQUATE REINFORCEMENT OF STRUCTURAL SUPPORT SYSTEMS. DAY-O-LITE RESERVES THE RIGHT TO MAKE ANY MECHANICAL OR MATERIAL CHANGES TO THE FIXTURES WHICH DO NOT AFFECT THE APPEARANCE OR PERFORMANCE. THIS PRINT IS THE PROPERTY OF DAY-O-LITE AND THE INFORMATION IT CONTAINS MAY NOT BE USED WITHOUT WRITTEN CONSENT OF DAY-O-LITE.**

MODEL NO.:  
APL1999-TRL----

CONTACT INFORMATION:  
126 Chestnut Street, Warwick, RI 02888  
Tel. (401) 467-8232 | Fax. (401) 941-2960  
E-mail: sales@dayolite.com  
WWW: http://www.dayolite.com

PART NUMBER:  
**970100A0**

PAGE:  
SHEET 2 OF 2

ISSUED ON:  
10/8/2020

