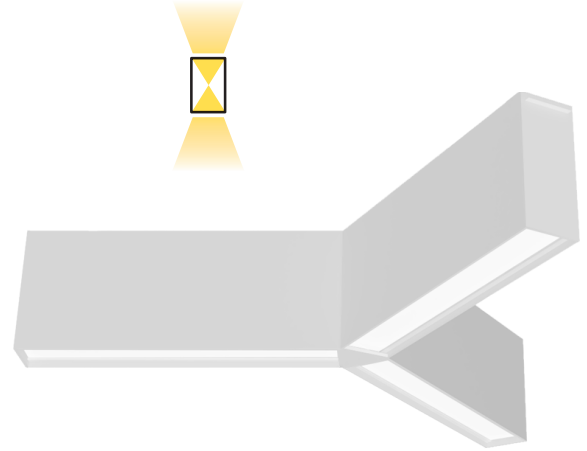
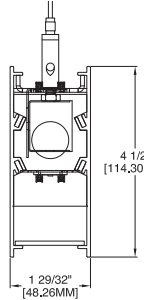


Date	Notes
Project	
Type Qty	

### Features

- Extruded aluminum housing w/welded end-plates.
- LED optimized optics in multiple configurations.
- LED optimized optics for smooth, efficient illumination.
- Programmable driver for custom lumen packages.
- 0-10V dimming to 1% standard or Dim-to-Off.
- DMX, Lutron and DALI protocols also available.
- Sensor Ready for wireless Smart Lighting Solutions.
- 80/90CRI, Tunable White, RGBW & RGBWW.
- Bios SkyBlue™ circadian solutions available.

**Declare** Red List Approved.



### Ordering Guide



MODEL	OPTICS	CCT <sup>1</sup>	LUMENS <sup>2</sup>	LENGTH	MOUNTING <sup>3</sup>	FINISH	OPTIONS
<b>TRIL-14-DI</b>							
TRIL-14-DI Direct/Indirect	<p><b>STANDARD (D/I)</b></p> <p>FL/CA = Flush Opal Acrylic Direct (snap-in) w/Clear Acrylic Indirect (lay-on)</p> <p><b>OPTIONAL (D)</b></p> <p>AS* = Asymmetric (lay-in)</p> <p>CM* = Collimating (lay-in)</p> <p>BW* = Batwing (lay-in)</p> <p><b>OPTIONAL (I)</b></p> <p>AS* = Asymmetric (lay-in)</p> <p>CM* = Collimating (lay-in)</p> <p>BW* = Batwing (lay-in)</p> <p>*Semi-diffuse. LED imaging visible.</p>	<p><b>STATIC WHITE</b> 80 CRI 27 = 2700K 80CRI 30 = 3000K 80CRI 35 = 3500K 80CRI 40 = 4000K 80CRI 50 = 5000K 80CRI (add 9 suffix for 90 CRI)</p> <p><b>BIOS SkyBlue</b> Circadian solutions.</p> <p><b>TUNABLE</b> 2-Channel 2700K-6500K Fixed CCT Range 2DIM10 = for 0-10V 2DMX = for DMX 2ESN = for Philips 2CAS = for Casambi 2LUT = for Lutron</p> <p><b>TUNABLE</b> 3-Channel 1800K-6500K 92 CRI Selectable CCT Range 3DIM10 = for 0-10V</p> <p><b>DIM-TO-WARM</b> DTW = Dim-to-Warm (2700K-6500K) 0-10V 3DTW = Dim-to-Warm (1800K-6500K) 0-10V</p> <p><b>RGB + WHITE (DMX)</b> RGB = RGB RGBW = RGBW RGBWW = RGBWW</p>	<p><b>2' LUMENS</b> LO = 2280 (23W, 99LPW) SO = 3099 31W, 99LPW HO = 3761 (39W, 96LPW)</p> <p><b>4' LUMENS</b> LO = 5798 (55W, 106LPW) SO = 7795 (73W, 106LPW) HO = 9531 (91W, 105LPW)</p> <p><b>6' LUMENS</b> LO = 9276 (86W, 108LPW) SO = 12,402 (115W, 108LPW) HO = 15,338 (144W, 107LPW)</p> <p>All sizes: 53% Direct 47% Indirect</p>	<p>2 = 2' Dia. 4 = 4' Dia. 6 = 6' Dia. See size detail page 3.</p>	<p>AC = Aircraft Cable (3) ACM = Aircraft Mono-Point (3-into-1)</p>	<p>W = White CC = Custom Color AMW = Anti-Microbial White</p>	<p><b>DIMMING DRIVERS</b> DIM10 = 0-10V (1%) Standard DTO = 0-10V (Dim-to-Off) DIMST = 0-10V Step Dimming DIMSR = DALI Sensor Ready (5.0%) DALI = DALI (5.0%) DMX = DMX</p> <p><b>LUTRON™ DIMMING DRIVERS</b> LDE1 = Hi-Lume 1% EcoSystem LD2 = Digital 1% (DALI-2) L3DA3W = Hi-Lume 1% 3-Wire</p> <p><b>SENSORS &amp; CONTROLS<sup>4</sup></b> AVO = Avi-On Sensor AWNS = Lutron Athena Sensor ESN = EasySense Sensor CAS = Casambi Wireless Control</p> <p><b>EMERGENCY<sup>5</sup></b> EMC = Emergency Circuit GTD = Generator Transfer Device EPC4 = 4W Emergency Battery EPC6 = 6.5W Emergency Battery EPC10 = 10W Emergency Battery EPC12 = 12W Emergency Battery</p> <p><b>WIRING</b> TCW = Two Circuit Wiring FWH = Flexible Wiring Harness DWH = DMX Wiring Harness</p>

<sup>1</sup>All LED, BIOS, Tunable White, DTW, and RGB/W options and Ordering Codes page 2.

<sup>2</sup>Lumens at 80CRI, 4000K, SI lens. Photometry page 3.

<sup>3</sup>See page 3 for mounting option details.

<sup>4</sup>All Sensor & Control options page 2.

<sup>5</sup>EPC6 is standard unless otherwise specified. EPC not for DMX drivers.

**BAA** letter of compliance available at [www.dayolite.com](http://www.dayolite.com).

## LED, BIOS, Sensor & Control Ordering Codes

### LED

#### Static White

30 = 3000K 80 CRI  
 35 = 3500K 80 CRI  
 40 = 4000K 80 CRI  
 50 = 5000K 80 CRI

927 = 2700K 90 CRI  
 930 = 3000K 90 CRI  
 935 = 3500K 90 CRI  
 940 = 4000K 90 CRI

#### Tunable<sup>1</sup> 2-Channel

2700K-6500K 80 CRI  
 Fixed CCT Range

2DIM10 = 0-10V  
 2DMX = DMX 80  
 2CAS = Casambi Wireless  
 2ESN = Philips EasySense  
 2LUT = Lutron (LD2)

92DIM10 = 0-10V 90 CRI  
 92DMX = DMX 90 CRI  
 92CAS = Casambi Wireless 90 CRI  
 92ESN = Philips EasySense 90 CRI  
 92LUT = Lutron (LD2) 90 CRI

#### Tunable<sup>1</sup> 3-Channel

1800K-6500K 92 CRI  
 Selectable range CCT (factory set)

3DIM10 = 0-10V Dimming

#### Dim-to-Warm<sup>2</sup>

DTW = 6500K-2700K 80 CRI  
 9DTW = 6500K-2700K 90 CRI

3DTW = 6500K-1800K 92 CRI  
 Selectable range CCT (factory set).  
 To specify write in the desired range; eg. 65/18 = 6500K-1800K, or 57/22 = 5700K-2200K.

#### RGB/W<sup>3</sup>

RGB = RGB only  
 RGB27 = RGB w/2700K  
 RGB30 = RGB w/3000K  
 RGB35 = RGB w/3500K  
 RGB40 = RGB w/4000K  
 RGB50 = RGB w/5000K  
 RGBWW = RGB w/2700K-6500K  
 ADV = Advanced Color  
 125mm increment RGB or  
 RGBW pixel control

#### Single Color

RED = Red  
 BLU = Blue  
 GRN = Green  
 AMB = Amber

### BIOS SkyBlue



BIOS SkyBlue biological technology brings the benefits of blue skies inside. BIOS SkyBlue is the only spectrally optimized circadian solution to target the region that drives wellness benefits including: increased alertness, enhanced productivity, better mood, and better sleep. More information may be found at [www.bioslighting.com](http://www.bioslighting.com) or by contacting Day-O-Lite directly. All options for 0-10V control.

#### BIOS Biological Static

For daytime applications. BIOS Static Biological LED features key BIOS SkyBlue (490nm) for maximum daytime circadian impact.

B30 = 3000K  
 B35 = 3500K  
 B40 = 4000K

#### BIOS Biological Dynamic White

Designed to transition from daytime to evening in a dim-to-warm protocol. The daytime CCT includes full BIOS SkyBlue (490nm) for maximum daytime circadian impact, while the evening spectrum removes BIOS SkyBlue for minimal circadian stimulus after hours.

B30D = 3000K-2700K  
 B35D = 3500K-3000K  
 B40D = 4000K-3500K

#### BIOS Biological Tunable White

Designed to transition from daytime to evening in a tunable white protocol. The daytime CCT includes full BIOS SkyBlue (490nm) for maximum daytime circadian impact, while the evening spectrum removes BIOS SkyBlue for minimal circadian stimulus after hours.

B30T = 3000K-2700K  
 B35T = 3500K-2700K  
 B40T = 4000K-2700K

### Sensors & Controls

#### Sensors\*

AVO = Avi-On Occ/Day  
 AVM = Avi-On Occ (Microwave)  
 AVN = Avi-On Node  
 BNV = BubblyNet Occ/Day  
 LEG = Legrand Occ/Day  
 ANW = Lutron Athena Occ/Day  
 VIVE = Lutron Vive Occ/Day  
 NLT = Acuity nLight Occ/Day  
 NXC = Current NX Occ/Day  
 ESN = Philips EasySense Occ/Day  
 WVW = Cooper WaveLinX Occ/Day

\*Sensors for remote mount only.

Sensors and control options to be commissioned wirelessly in the field by qualified controls personnel with applicable apps (by others).

#### Wireless Control\*

CAS = Casambi

#### Other Options

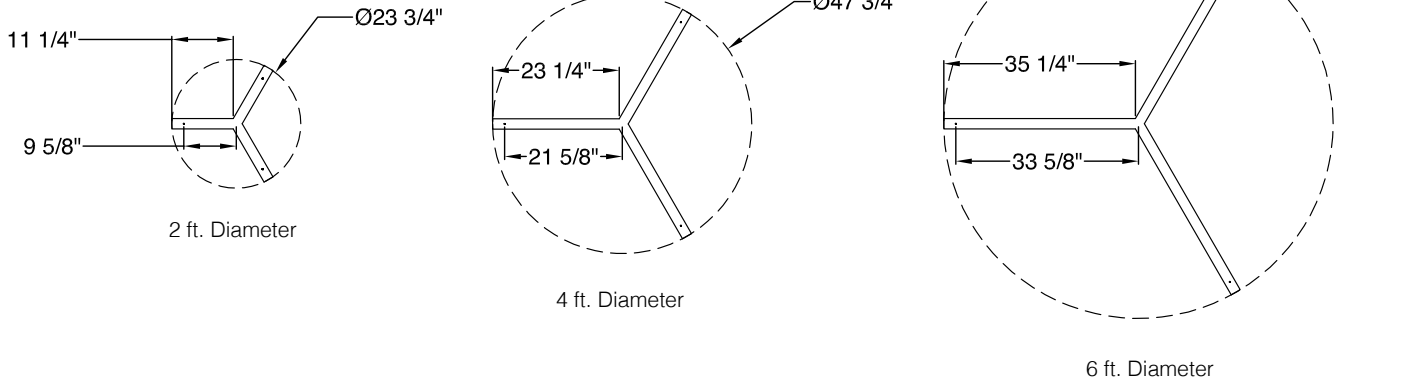
Other sensor and wireless control options are available. Contact factory for details.

<sup>1</sup>Tunable white may be controlled by a number of dimming protocols as shown. 2-Channel has a fixed range of 2700K-6500K. 3-Channel has a maximum range of 1800K-6500K, but other sub-ranges may be specified. 3-Channel Tunable White has a third diode to more closely approximate the black body curve in the mid CCT ranges. Contact Day-O-Lite for details

<sup>2</sup>Dim-to-Warm mimics incandescent dimming by warming the CCT from 6500K-2700K (2DTW) or 6500K-1800K (3DTW) as light levels are dimmed.

<sup>3</sup>All RGB, RGBW, RGBWW and ADV options for DMX control (by others). 80 CRI standard.

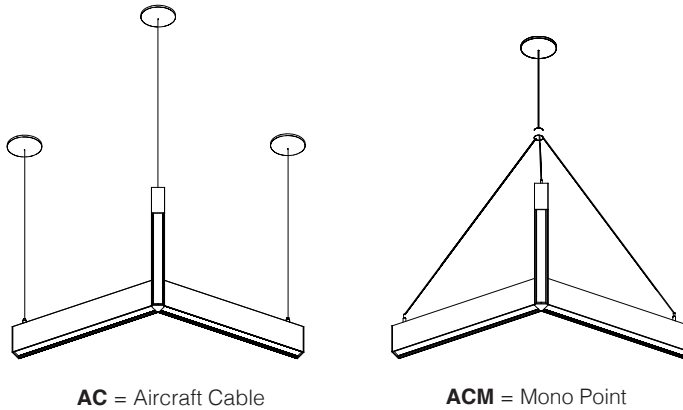
### Sizes & Suspension Locations



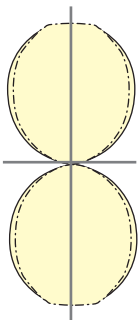
### Standard Suspensions

Standard suspension options include adjustable self-locking aircraft cables (AC), and a 3-into-1 monopoint (ACM).

AC assembly is 48" x 1/16" with a 5" feed canopy and 2" suspension canopies. 60" 18 gauge power and 22 gauge dimming control SJT feed.



### Photometry



TRIL-14-DI-SI-40-2	TRIL-14-DI-SI-40-4	TRIL-14-DI-SI-40-6
<b>LO</b> 4000K CCT WATTS: 23 LUMENS: 2280 LPW: 99 Distribution: 53% Direct 47% Indirect	<b>LO</b> 4000K CCT WATTS: 55 LUMENS: 5798 LPW: 106 Distribution: 53% Direct 47% Indirect	<b>LO</b> 4000K CCT WATTS: 86 LUMENS: 9276 LPW: 108 Distribution: 53% Direct 47% Indirect
<b>SO</b> 4000K CCT WATTS: 31 LUMENS: 3099 LPW: 99 Distribution: 53% Direct 47% Indirect	<b>SO</b> 4000K CCT WATTS: 73 LUMENS: 7795 LPW: 106 Distribution: 53% Direct 47% Indirect	<b>SO</b> 4000K CCT WATTS: 115 LUMENS: 12,402 LPW: 108 Distribution: 53% Direct 47% Indirect
<b>HO</b> 4000K CCT WATTS: 39 LUMENS: 3761 LPW: 96 Distribution: 53% Direct 47% Indirect	<b>HO</b> 4000K CCT WATTS: 91 LUMENS: 9531 LPW: 105 Distribution: 53% Direct 47% Indirect	<b>HO</b> 4000K CCT WATTS: 144 LUMENS: 15,338 LPW: 107 Distribution: 53% Direct 47% Indirect

4000K @ 80CRI, SI lens.

Use the following multipliers for other CCTs: 2700K x 0.94, 3000K x 0.96, 3500K x 0.98, 5000K x 1.02. IES files @ [www.dayolite.com](http://www.dayolite.com)

---

## Specifications

**CONSTRUCTION:** Extruded aluminum housing. 20 gauge cold rolled steel internal components.

**REFLECTOR:** Die-formed steel finished in highly reflective baked white enamel with pre-finished reflective LED tray.

**OPTICS:** LED optimized, shatter resistant polycarbonate regressed lens.

**LED:** Static white LED modules in 27/30/35/40 & 50K CCT, 80/90CRI. Lumen maintenance minimum  $L_{70}$  = 50,000 hours. 3 SDCM color consistency. BIOS SkyBlue, RGB, RGBW, RGBWW. Tunable White and Dim-to-Warm options available.

**DRIVER:** Standard driver is Class 2 AOC 0-10V to 1%, Dim-to-Off available. 120/277V input, PF > 90%, THD < 20 @ 120V. Additional dimming protocols available. All drivers prewired from factory for connection to control system (by others), field replaceable.

**MOUNTING:** Standard options include adjustable self-locking aircraft cables and a 3-into-1 aircraft cable monopoint. AC assembly is 48" x 1/16" with a 5" feed canopy and 2" suspension canopies. 18 gauge power and 22 gauge dimming control SJT feed.

**FINISH:** Housing and components finished in baked white enamel. Canopies and pendant stems are white enamel unless otherwise specified.

**CERTIFICATION:** Luminaires are cETLus listed conforming to UL STD. 1598 and certified to CSA STD C22.2 NO. 250.0. Suitable for dry & damp locations. Union Made in the United States of America. I.B.E.W., BAA compliant, Declare Red List Approved.

**LEGAL:** Day-O-Lite, a division of SCW Corporation. All rights reserved. The Day-O-Lite logo is a registered trademark of SCW Corporation. Actual product performance may differ due to end user environment, application and installation. Luminaires have been tested at 25° C ambient temperature. Consult Day-O-Lite for high-ambient conditions. Day-O-Lite reserves the right to change specifications without notice for product improvement.