



Iris Series | IRSL Wall/Surface

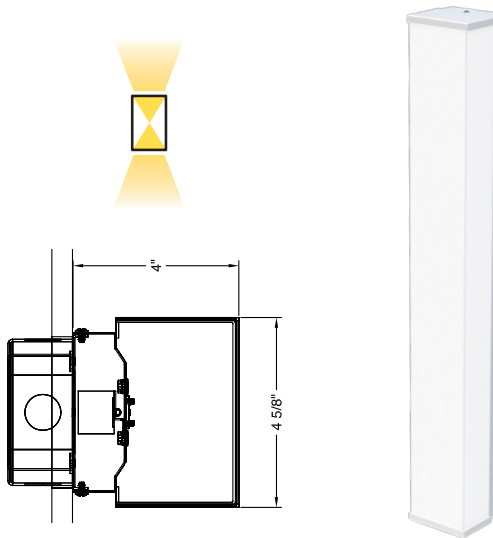
| | |
|----------|-------|
| Date | Notes |
| Project | |
| Type Qty | |

Features

- LED optimized optics for smooth, efficient illumination.
- Programmable driver for custom lumen packages.
- 0-10V dimming to 1% standard or Dim-to-Off.
- DMX, Lutron and DALI protocols also available.
- Sensor Ready for wireless Smart Lighting Solutions.
- 80/90CRI, Tunable White, RGBW & RGBWW.
- Bios SkyBlue™ circadian solutions available.
- Compatible with Armstrong® ceiling systems.
- Decorative Sky Panel lenses available.

Declare Red List Approved.

ADA compliant luminaire.



Ordering Guide



| MODEL | OPTICS | CCT ¹ | LUMENS ² | SIZE | MOUNTING ³ | FINISH | OPTIONS |
|-------------------------|--------------------------|--|--|----------------------------|-----------------------|---|--|
| IRSL-DI | WOA | | | | WM | | |
| IRSL Direct/Indirect | WOA = White Opal Acrylic | STATIC WHITE 27 = 2700K 80CRI 30 = 3000K 80CRI 35 = 3500K 80CRI 40 = 4000K 80CRI 50 = 5000K 80CRI BIOS SkyBlue Circadian solutions TUNABLE 2-Channel 2700K-6500K Fixed CCT Range 2DIM10 = for 0-10V 2DMX = for DMX 2ESN = for Philips 2CAS = for Casambi 2LUT = for Lutron TUNABLE 3-Channel 1800K-6500K 92 CRI Selectable CCT Range 3DIM10 = for 0-10V DIM-TO-WARM DTW = Dim-to-Warm 2700K-6500K, 0-10V (Fixed Range) 3DTW = Dim-to-Warm 1800K-6500, 0-10V (Programmable Range) RGB + WHITE (DMX) ⁴ RGB = RG RGBW = RGBW RGBWW = RGBWW | 2' LO = 1500 (11W, 136LPW) SO = 1885 (14W, 134LPW) HO = 2355 (18W, 130LPW) 3' LO = 2150 (15W, 144LPW) SO = 2856 (20W, 143LPW) HO = 3571 (26W, 137LPW) 4' LO = 2877 (20W, 144LPW) SO = 3835 (27W, 142LPW) HO = 4792 (35W, 136LPW) CUSTOM For custom lumens specify value < HO. | 2 = 2' 3 = 3' 4 = 4' | WM = Wall Mount | W = White CC = Custom Color End caps maybe be different finish than housing. Consult factory for details. | DIM10 = 0-10V (1%) Standard DIMMING DRIVERS DIM10 = 0-10V (1%) Standard DTO = 0-10V (Dim-to-Off) DIMST = 0-10V Step Dimming DIMSR = DALI Sensor Ready (5.0%) DALI = DALI (5.0%) DMX = DMX ⁴ LUTRON™ DIMMING DRIVERS LDE1 = Hi-Lume 1% EcoSystem LD2 = Digital 1% (DALI-2) L3DA3W = Hi-Lume 1% 3-Wire EMERGENCY⁵ EMC = Emergency Circuit GTD = Generator Transfer Device EPC4 = 4W Emergency Battery EPC6 = 6.5W Emergency Battery EPC10 = 10W Emergency Battery EPC12 = 12W Emergency Battery SENSORS & CONTROLS <i>See page 3. All sensors remote mount only.</i> WIRING FWH = Flexible Wiring Harness |

¹All 90 CRI, LED, BIOS, Tunable White, DTW and RGB/W options and Ordering Codes page 3.

²Lumens at 80CRI, 3500K, WOA lens. Photometry page 2.

³See page 2 for mounting details.

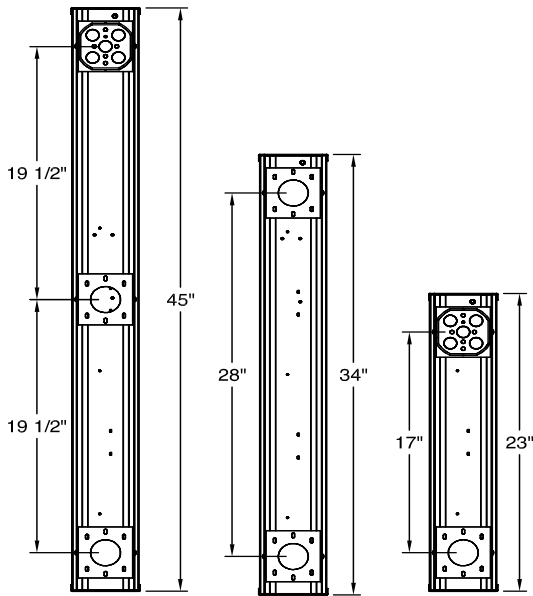
⁴DMX requires minimum 3' fixture.

⁵All Sensor & Control options page 3.

⁶EPC6 is standard unless otherwise specified. EPC for 4' only.

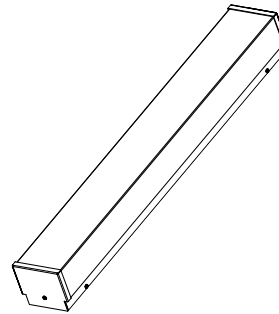
BAA letter of compliance available at www.dayolite.com.

Dimensions



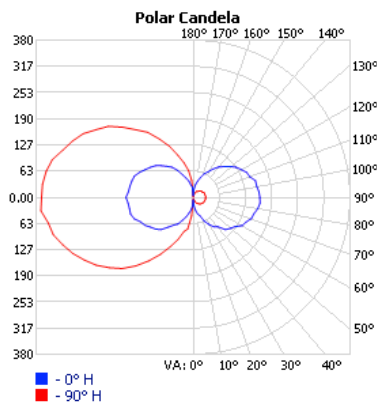
| NOMINAL LENGTH | ACTUAL LENGTH | MTNG. 1 O.C. | MTNG. 2 O.C. |
|----------------|---------------|--------------|--------------|
| 2' | 23" | 17" | |
| 3' | 34" | 28" | |
| 4' | 45" | 19-1/2" | 19-1/2" |

MOUNTING: Standard installation is wall mount (vertical or horizontal) with included mounting brackets and hardware. Requires single-gang j-box supplied by others.

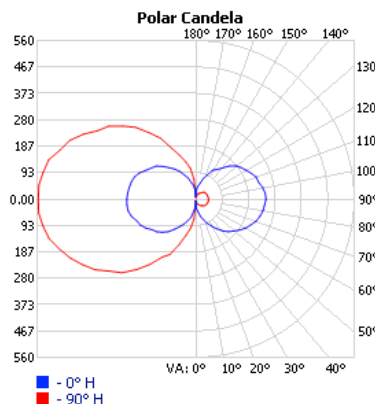


Photometry

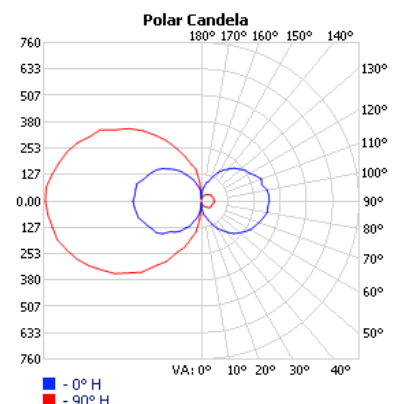
| SIZE | LO LUMENS | LO WATTS | LO LPW | SO LUMENS | SO WATTS | SO LPW | HO LUMENS | HO WATTS | HO LPW |
|------|-----------|----------|--------|-----------|----------|--------|-----------|----------|--------|
| 2' | 1500 | 11 | 136 | 1885 | 14 | 134 | 2355 | 18 | 130 |
| 3' | 2150 | 15 | 144 | 2856 | 20 | 143 | 3571 | 26 | 137 |
| 4' | 2877 | 20 | 144 | 3835 | 27 | 142 | 4792 | 35 | 136 |



2' = 95% Direct, 5% Indirect



3' = 95% Direct, 5% Indirect



4' = 95% Direct, 5% Indirect

3500K @ 80CRI, WOA lens.

Use the following multipliers for other CCTs: 2700K x 0.96, 3000K x 0.98, 4000K x 1.02, 5000K x 1.03. IES files @ www.dayolite.com

LED, BIOS, Sensor & Control Ordering Codes

LED

Static White

30 = 3000K 80 CRI
 35 = 3500K 80 CRI
 40 = 4000K 80 CRI
 50 = 5000K 80 CRI

927 = 2700K 90 CRI
 930 = 3000K 90 CRI
 935 = 3500K 90 CRI
 940 = 4000K 90 CRI

Tunable¹ 2-Channel

2700K-6500K 80 CRI
 Fixed CCT Range

2DIM10 = 0-10V
 2DMX = DMX 80
 2CAS = Casambi Wireless
 2ESN = Philips EasySense
 2LUT = Lutron (LD2)

92DIM10 = 0-10V 90 CRI
 92DMX = DMX 90 CRI
 92CAS = Casambi Wireless 90 CRI
 92ESN = Philips EasySense 90 CRI
 92LUT = Lutron (LD2) 90 CRI

Tunable¹ 3-Channel

1800K-6500K 92 CRI
 Selectable range CCT (factory set)

3DIM10 = 0-10V Dimming

Dim-to-Warm²

DTW = 6500K-2700K 80 CRI
 9DTW = 6500K-2700K 90 CRI

3DTW = 6500K-1800K 92 CRI
 Selectable range CCT (factory set).
 To specify write in the desired
 range; eg. 65/18 = 6500K-1800K,
 or 57/22 = 5700K-2200K.

RGB/W³

RGB = RGB only
 RGB27 = RGB w/2700K
 RGB30 = RGB w/3000K
 RGB35 = RGB W/3500K
 RGB40 = RGB w/4000K
 RGB50 = RGB w/5000K
 RGBWW = RGB w/2700K-6500K
 ADV = Advanced Color
 125mm increment RGB or
 RGBW pixel control

Single Color

RED = Red
 BLU = Blue
 GRN = Green
 AMB = Amber

BIOS SkyBlue

BIOS SkyBlue biological technology brings the benefits of blue skies inside. BIOS SkyBlue is the only spectrally optimized circadian solution to target the region that drives wellness benefits including: increased alertness, enhanced productivity, better mood, and better sleep. More information may be found at www.bioslighting.com or by contacting Day-O-Lite directly. All options for 0-10V control.

BIOS Biological Static

For daytime applications. BIOS Static Biological LED features key BIOS SkyBlue (490nm) for maximum daytime circadian impact.

B30 = 3000K
 B35 = 3500K
 B40 = 4000K

BIOS Biological Dynamic White

Designed to transition from daytime to evening in a dim-to-warm protocol. The daytime CCT includes full BIOS SkyBlue (490nm) for maximum daytime circadian impact, while the evening spectrum removes BIOS SkyBlue for minimal circadian stimulus after hours.

B30D = 3000K-2700K
 B35D = 3500K-3000K
 B40D = 4000K-3500K

BIOS Biological Tunable White

Designed to transition from daytime to evening in a tunable white protocol. The daytime CCT includes full BIOS SkyBlue (490nm) for maximum daytime circadian impact, while the evening spectrum removes BIOS SkyBlue for minimal circadian stimulus after hours.

B30T = 3000K-2700K
 B35T = 3500K-2700K
 B40T = 4000K-2700K

Sensors & Controls

Sensors*

AVO = Avi-On Occ/Day
 AVM = Avi-On Occ (Microwave)
 AVN = Avi-On Node
 BNV = BubblyNet Occ/Day
 LEG = Legrand Occ/Day
 ANW = Lutron Athena Occ/Day
 VIVE = Lutron Vive Occ/Day
 NLT = Acuity nLight Occ/Day
 NXC = Current NX Occ/Day
 ESN = Philips EasySense Occ/Day
 WWL = Cooper WaveLinX Occ/Day

**All Sensors remote mount only.*

Sensors and control options to be commissioned wirelessly in the field by qualified controls personnel with applicable apps (by others).

Wireless Control

CAS = Casambi

Other Options

Other sensor and wireless control options are available. Contact factory for details.

¹Tunable white may be controlled by a number of dimming protocols as shown. 2-Channel has a fixed range of 2700K-6500K. 3-Channel has a maximum range of 1800K-6500K, but other sub-ranges may be specified. 3-Channel Tunable White has a third diode to more closely approximate the black body curve in the mid CCT ranges. Contact Day-O-Lite for details.

²Dim-to-Warm mimics incandescent dimming by warming the CCT from 6500K-2700K (2DTW) or 6500K-1800K (3DTW) as light levels are dimmed.

³All RGB, RGBW, and RGBWW options for **DMX** control (by others). 80 CRI standard. All fixtures with **DMX** drivers include **DMX** cabling prewired to the driver/s, terminated with an RJ45 mail adapter ease of installation. **DMX** requires a minimum 3' fixture.

Specifications

CONSTRUCTION: 20 gauge CRS housing and internal components.

REFLECTOR: Die-formed steel finished in highly reflective baked white enamel with pre-finished reflective LED tray.

OPTICS: LED optimized snap-in opal white opal acrylic lens is standard.

LED: Static white LED modules in 27/30/35/40 & 50K CCT, 80/90CRI. Lumen maintenance minimum L_{70} = 50,000 hours. 3 SDCM color consistency. BIOS SkyBlue, RGB, RGBW, RGBWW. Tunable White and Dim-to-Warm options available.

DRIVER: Standard driver is Class 2 AOC 0-10V to 1%, 120/277V input, PF > 90%, THD < 20 @ 120V. Additional dimming protocols available. Drivers prewired from factory for connection to control system (by others); field replaceable.

MOUNTING: Standard installation is wall mount with included mounting brackets and hardware. Requires single-gang j-box supplied by others.

FINISH: Housing and components finished in baked white enamel. Canopies and pendant stems are white enamel unless otherwise specified.

CERTIFICATION: cETLus listed conforming to UL STD. 1598 and certified to CSA STD C22.2 NO. 250.0. Suitable for dry & damp locations. Union Made in the United States of America, I.B.E.W, ADA & BAA compliant, Declare Red List Approved.

LEGAL: Day-O-Lite, a division of SCW Corporation. All rights reserved. The Day-O-Lite logo is a registered trademark of SCW Corporation. Actual product performance may differ due to end user environment, application and installation. Luminaires have been tested at 25° C ambient temperature. Consult Day-O-Lite for high-ambient conditions. Day-O-Lite reserves the right to change specifications without notice for product improvement.