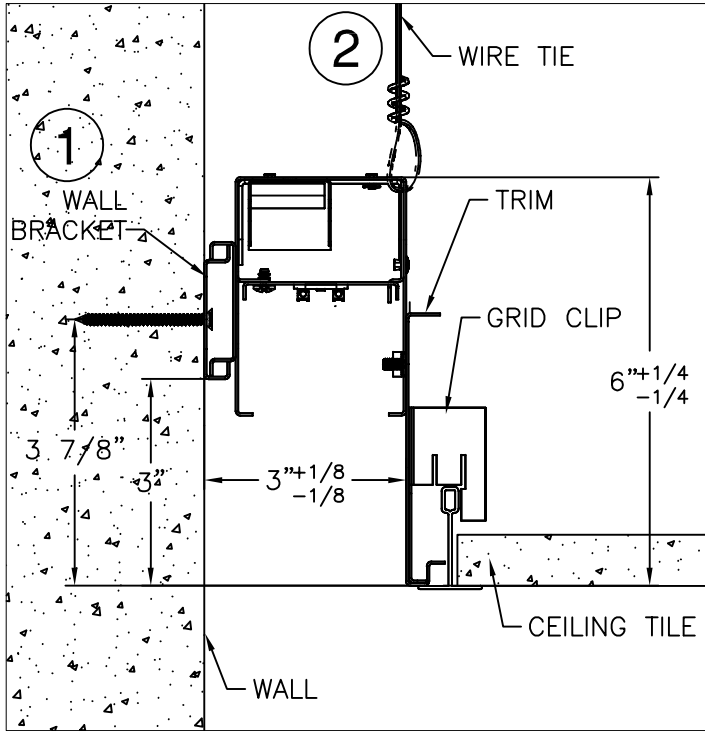
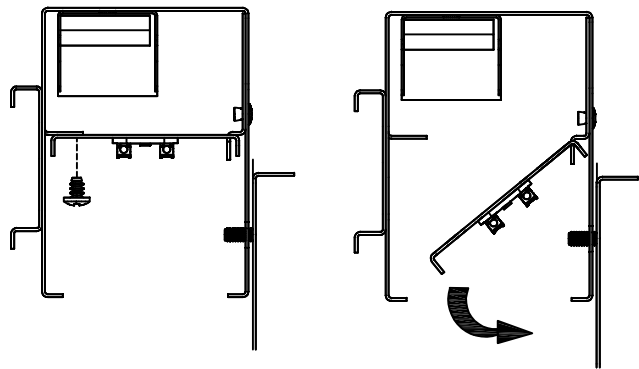


# WPPL-2 GRID FIXTURE INSTALLATION



INSTALLATION OVERVIEW



FOR SERVICE AND INSTALLATION

1. REMOVE SCREWS FROM TRAY
2. ROTATE TRAY DOWNWARD TO ACCESS DRIVER AND WIRING

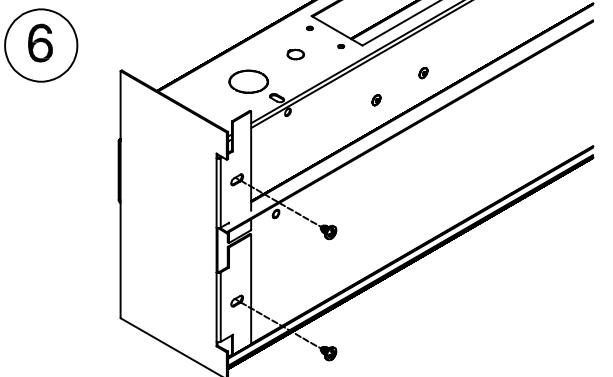
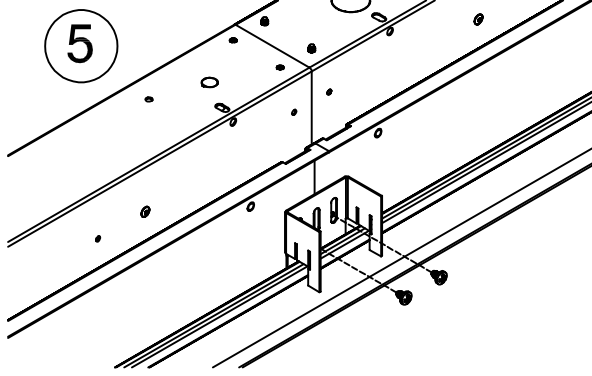
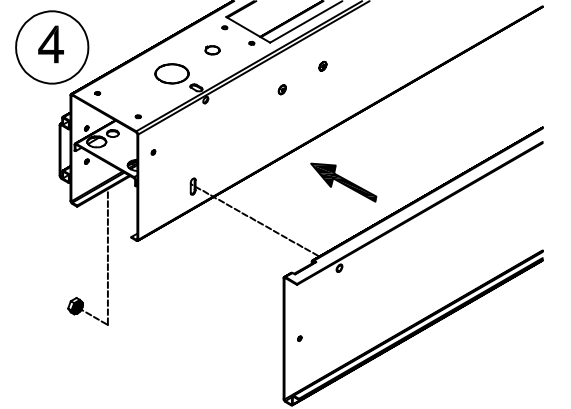
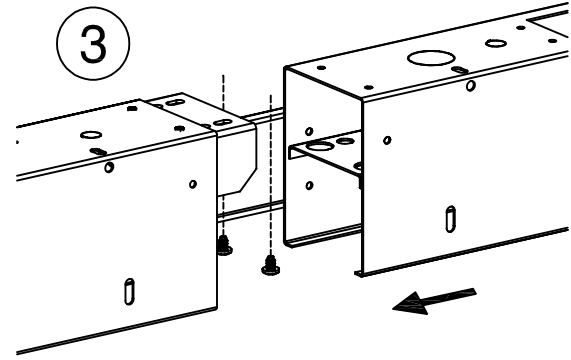
RISK OF ELECTRICAL SHOCK. DISCONNECT POWER BEFORE INSTALLATION OR SERVICING.

DO NOT CONSTRUCT ROW ON FLOOR & LIFT TO CEILING.

KEEP ALL PROTECTIVE FILMS ON APPLICABLE SURFACES UNTIL FIXTURES ARE INSTALLED.

MUST INSTALL PRIOR TO CEILING.

TO BE INSTALLED BY A QUALIFIED ELECTRICIAN IN ACCORDANCE TO LOCAL & NATIONAL ELECTRIC CODES.



## INSTALLATION INSTRUCTIONS

1. INSTALL WALL BRACKET AS SHOWN, LEFT TO RIGHT, ACCORDING TO DRAWINGS PROVIDED WITH JOB. WALL BRACKETS ARE TAPED TO EACH FIXTURE. IF PROVIDED, TRIM TELESCOPING FIXTURE WALL RAIL TO FIT.
2. PLACE THE FIXTURE OVER THE THE WALL BRACKET AND SECURE IT WITH TIE WIRE
3. FASTEN THE FIXTURE HOUSINGS AT JOINT USING TWO SCREWS IN THE ALIGNMENT YOKE
4. FASTEN THE FRONT TRIM TO THE HOUSINGS USING THE NUT PROVIDED
5. SECURE THE GRID CLIP TO THE FRONT TRIM USING SCREWS PROVIDED, AND SECURE TO CEILING WITH THE GRID CLIP
6. ATTACH THE END CAP TO THE FRONT SHIELD AT THE BEGINNING AND END OF ROW
7. INSTALL LENS

NOTE: SEE PAGE 2 OF 2 FOR ADJUSTABLE TELESCOPIC UNIT

PART NUMBER:  
**970033A0**

MUST BE INSTALLED BY A QUALIFIED ELECTRICIAN. DISCONNECT POWER DURING INSTALLATION/SERVICING. ROW CONFIGURATION IS JOB SPECIFIC, CONSULT SHOP DRAWINGS BEFORE CONSTRUCTING ROWS. STANDARD OPTIONS/SIZES SHOWN, OTHER OPTIONS AVAILABLE WITH SIMILAIR INSTALLATION. BE SURE TO UNDERSTAND ALL PROCEDURES PRIOR TO INSTALLATION. IMPORTANT: THE NATIONAL ELECTRIC CODE REQUIRES THAT ANY FIXTURE IN EXCESS OF 50 POUNDS MUST BE INDEPENDENTLY SUPPORTED OF THE OUTLET BOX. DAY-O-LITE IS NOT RESPONSIBLE FOR INADEQUATE REINFORCEMENT OF STRUCTURAL SUPPORT SYSTEMS. DAY-O-LITE RESERVES THE RIGHT TO MAKE ANY MECHANICAL OR MATERIAL CHANGES TO THE FIXTURES WHICH DO NOT AFFECT THE APPEARANCE OR PERFORMANCE. THIS PRINT IS THE PROPERTY OF DAY-O-LITE AND THE INFORMATION IT CONTAINS MAY NOT BE USED WITHOUT WRITTEN CONSENT OF DAY-O-LITE.

MODEL NO.:  
WPPL-2-G----

CONTACT INFORMATION:  
126 Chestnut Street, Warwick, RI 02888  
Tel. (401) 467-8232 | Fax. (401) 941-2960  
E-mail: sales@dayolite.com  
WWW: http://www.dayolite.com

PAGE:  
SHEET 1 OF 2

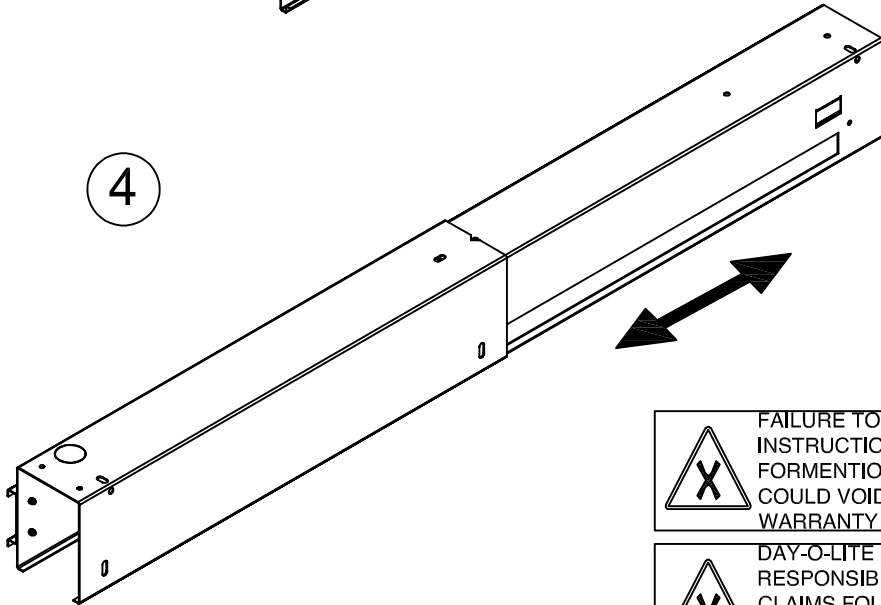
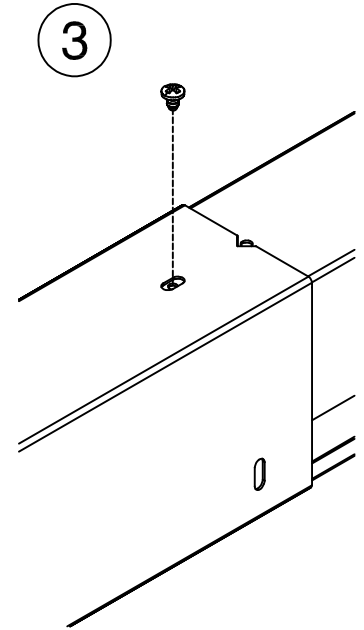
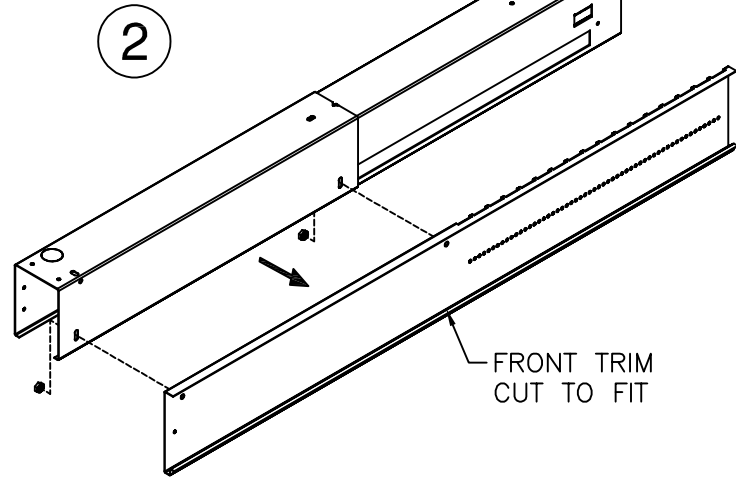
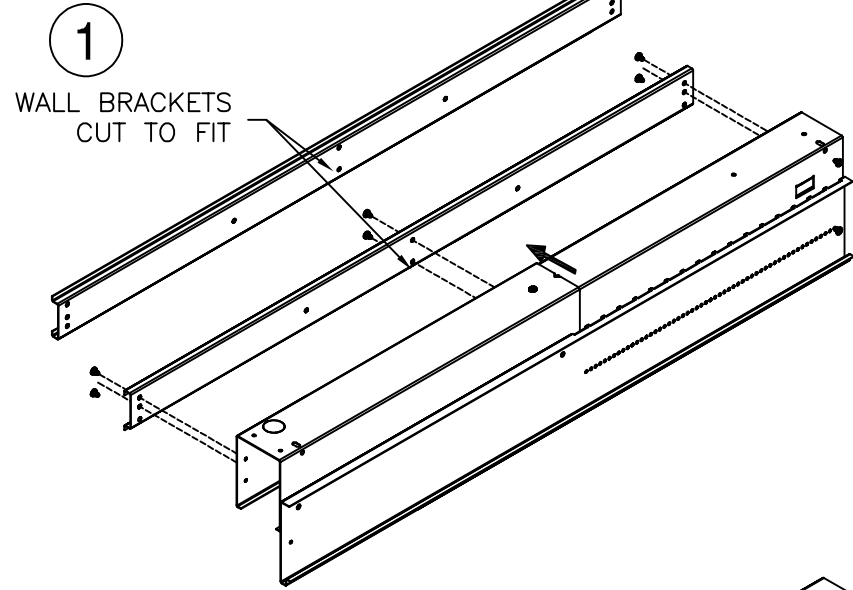
ISSUED ON:  
10/25/19

**DAY-O-LITE**  
Lighting Without Limits

# WPPL-2 GRID FIXTURE INSTALLATION


## TELESCOPIC FIXTURE INSTRUCTIONS


 RISK OF ELECTRICAL SHOCK. DISCONNECT POWER BEFORE INSTALLATION OR SERVICING.





## INSTALLATION INSTRUCTIONS


1. REMOVE WALL BRACKETS FROM TELE FIXTURE. CUT WALL BRACKETS TO REQUIRED LENGTH TO COMPLETE FIXTURE RUN. SECURE ONE WALL BRACKET TO WALL.
2. REMOVE FRONT TRIM FROM TELE FIXTURE AND CUT TO LENGTH REQUIRED
3. REMOVE TOP SCREW FROM TELE FIXTURE
4. ADJUST TELE HOUSING TO REQUIRED LENGTH TO COMPLETE FIXTURE RUN.
5. RE-INSTALL FRONT TRIM TO FIXTURE USING SCREWS REMOVED IN STEP 2
6. RE-INSTALL WALL TRIM TO FIXTURE USING SCREWS REMOVED IN STEP 1
7. INSTALL END CAP ON FIXTURE END, AND INSTALL FIXTURE INTO RUN AS SHOWN ON PAGE 1


 FAILURE TO COMPLY TO INSTRUCTIONS & FORMENTIONED WARNINGS COULD VOID PRODUCT WARRANTY

 MUST INSTALL PRIOR TO CEILING.

 TO BE INSTALLED BY A QUALIFIED ELECTRICIAN IN ACCORDANCE TO LOCAL & NATIONAL ELECTRIC CODES.

 DAY-O-LITE ASSUMES NO RESPONSIBILITIES FOR CLAIMS FOUNDED FROM IMPROPER INSTALLATION OR HANDLING.

 DO NOT CONSTRUCT ROW ON FLOOR & LIFT TO CEILING.

 KEEP ALL PROTECTIVE FILMS ON APPLICABLE SURFACES UNTIL FIXTURES ARE INSTALLED.

PART NUMBER:  
**970033A0**


MUST BE INSTALLED BY A QUALIFIED ELECTRICIAN. DISCONNECT POWER DURING INSTALLATION/SERVICING. ROW CONFIGURATION IS JOB SPECIFIC, CONSULT SHOP DRAWINGS BEFORE CONSTRUCTING ROWS. STANDARD OPTIONS/SIZES SHOWN, OTHER OPTIONS AVAILABLE WITH SIMILAIR INSTALLATION. BE SURE TO UNDERSTAND ALL PROCEDURES PRIOR TO INSTALLATION. IMPORTANT: THE NATIONAL ELECTRIC CODE REQUIRES THAT ANY FIXTURE IN EXCESS OF 50 POUNDS MUST BE INDEPENDENTLY SUPPORTED OF THE OUTLET BOX. DAY-O-LITE IS NOT RESPONSIBLE FOR INADEQUATE REINFORCEMENT OF STRUCTURAL SUPPORT SYSTEMS. DAY-O-LITE RESERVES THE RIGHT TO MAKE ANY MECHANICAL OR MATERIAL CHANGES TO THE FIXTURES WHICH DO NOT AFFECT THE APPEARANCE OR PERFORMANCE. THIS PRINT IS THE PROPERTY OF DAY-O-LITE AND THE INFORMATION IT CONTAINS MAY NOT BE USED WITHOUT WRITTEN CONSENT OF DAY-O-LITE.

MODEL NO.:  
WPPL-2-G----

CONTACT INFORMATION:  
126 Chestnut Street, Warwick, RI 02888  
Tel. (401) 467-8232 | Fax. (401) 941-2960  
E-mail: sales@dayolite.com  
WWW: http://www.dayolite.com

PAGE:  
SHEET 1 OF 2

ISSUED ON:  
10/25/19

 **DAY-O-LITE**  
Lighting Without Limits