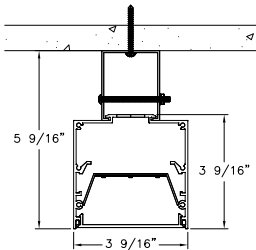




Wet Series | PRFL-WET-D Wet Location/IP66

Date	Notes
Project	
Type	Qty



### Features

**ETL Wet Location & IP66 Rated.**

- Suspended, surface and wall mount options available.
- Highly efficient, polycarbonate IK10 Impact resistant lens.
- Extruded aluminum housing w/die-cast, gasketed end-caps.
- Available in individual fixtures and in continuous rows in 4' & 8' increments
- Low, Standard and High output and custom lumen packages available.
- High efficacy LEDs in five CCT's and in 80 or 90 CRI.
- 0-10V dimming to 1% standard LED driver.



### Ordering Guide

MODEL	OPTICS	LED <sup>1</sup>	LUMENS <sup>2</sup>	LENGTH	MOUNTING <sup>3</sup>	FINISH	OPTIONS
<b>PRFL-WET-D</b>	<b>DP</b>						
PRFL-WET-D Wet Location/IP66 Direct	DP = Diffuse Polycarbonate (IK10)	<b>STATIC WHITE</b> 27 = 2700K 30 = 3000K 35 = 3500K 40 = 4000K 50 = 5000K	<b>4'</b> LO = 1188L/ft (10.7W, 111LPW) SO = 1250L/ft 11.3W/ft, 111LPW HO = 1375L/ft (12.4W, 111LPW) <b>8'</b> LO = 1188L/ft (10.7W, 111LPW) SO = 1250L/ft 11.3W/ft, 111LPW HO = 1375L/ft (12.4W, 111LPW)	4 = 4 ft 8 = 8 ft For rows enter length in 4' in- crements. (e.g., 48 = 48 ft)	PD = Pendant Stem WM = Wall Mount S = Surface Mount	W = White B = Black S = Silver	<b>DRIVER</b> 0-10V Dimming to 1% <b>Standard</b> <b>EMERGENCY</b> EPC8 = Emergency Battery Pack 8W EMC = Emergency Circuit

<sup>1</sup>80CRI standard. For 90CRI add prefix "9"; e.g., 935 = 3500K, 90CRI.

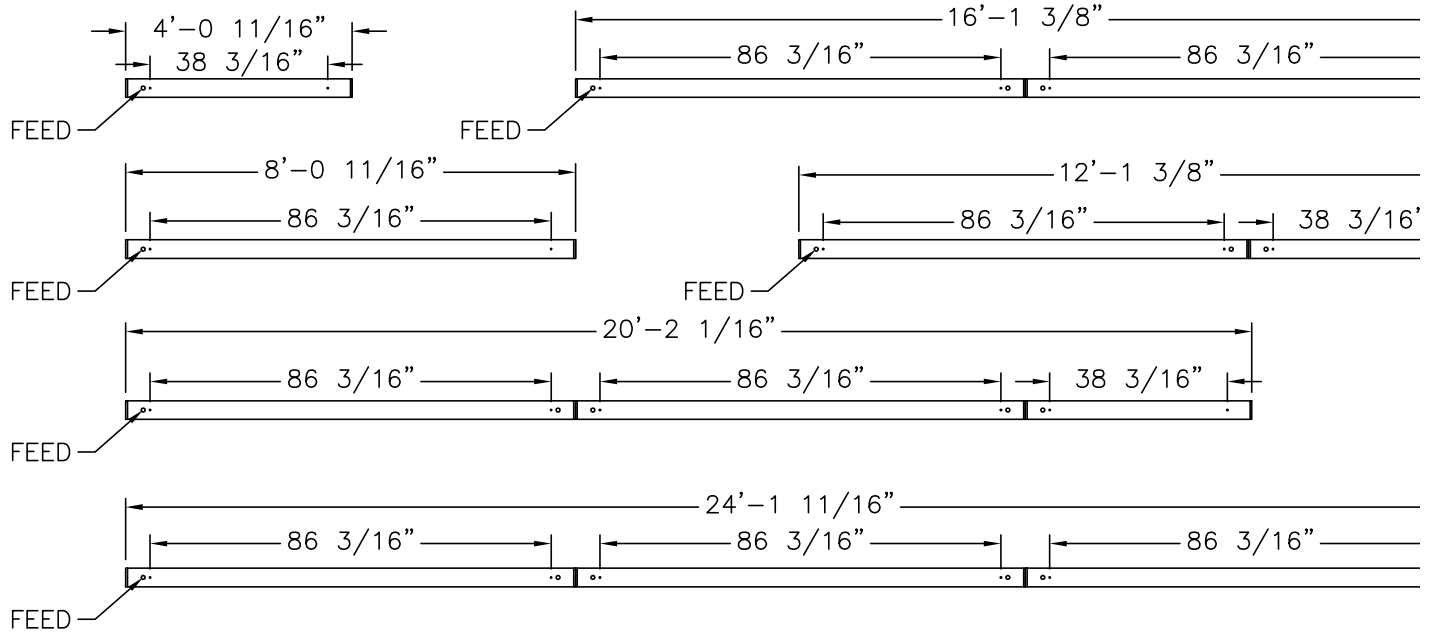
<sup>2</sup>Lumens @ 80CRI, 4000K CCT. Photometrics page 2.

<sup>3</sup>See page 3 for mounting details.

### Individual Fixtures & Continuous Rows

NOMINAL LENGTH	ACTUAL LENGTH	SUSP. 1 O.C.
4'	4' 11/16"	3' ADJ
8'	8' 11/16"	7' ADJ

Individual fixtures available in 4' and 8' lengths. Individuals may be joined to make rows of variable lengths in 4' or 8' increments (not continuously illuminated at joints). Power Feeds are at top and end of housing. Sliding mounting brackets may be positioned across the length of the fixtures.



### Emergency Locations

EPC will control entire length of individual fixtures. Individual fixtures of differing lengths will deliver the same lumens under EPC power (a 4' fixture will deliver the same total lumens over half the length of an 8' fixture). EMC controlled individual fixtures will deliver lumens per foot as originally specified, unless dimmed at time of power loss. Consult factory for EMC dimming override device.

4' Individual

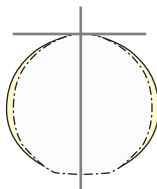
8' Individual

Additional feed required for unswitched emergency feed.

#### EMERGENCY

EPC8 = Emergency Battery Pack 8W  
EMC = Emergency Circuit

### Photometry



PRFL-WET-D-40-LO-4

3500K CCT  
WATTS: 42.8  
LUMENS: 4750  
LPW: 111  
Distribution:  
100% Direct

PRFL-WET-D-40-SO-4

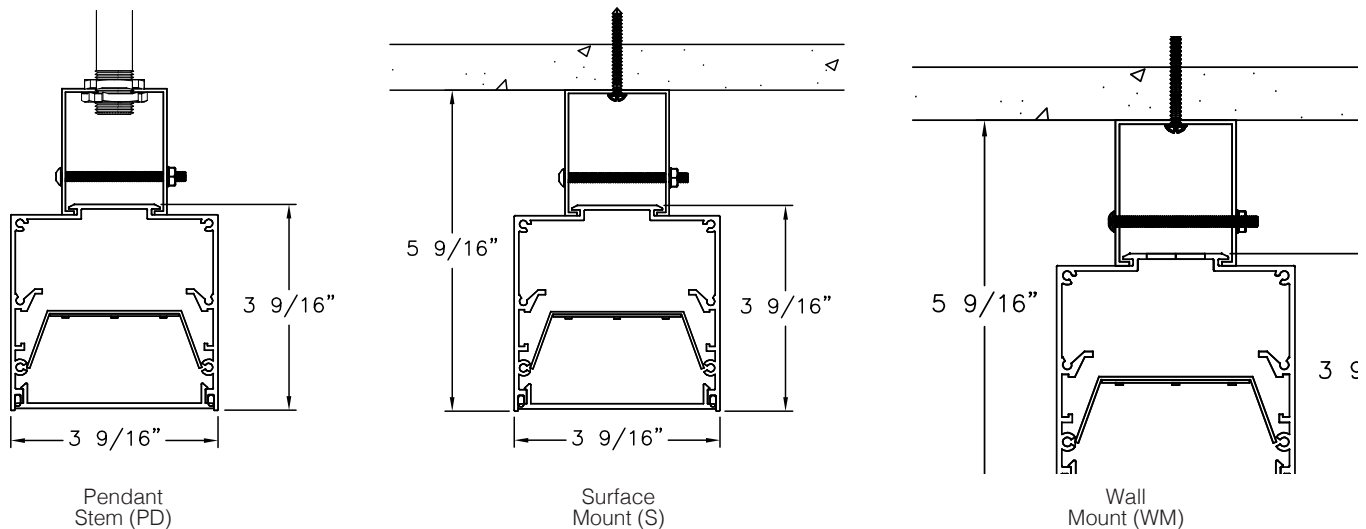
3500K CCT  
WATTS: 45  
LUMENS: 5000  
LPW: 111  
Distribution:  
100% Direct

PRFL-WET-D-40-HO-4

3500K CCT  
WATTS: 50  
LUMENS: 5,500  
LPW: 111  
Distribution:  
100% Direct

## Suspension & Mounting Options

Standard suspension is by rigid pendant stems (PD). PD assemblies are 5/8" dia., (or 3/8" IP) hollow stem for power feed by others, 24" is standard length. Consult factory for longer suspension lengths. Sliding mounting brackets may be positioned across the length of the fixtures.



## Specifications

**CONSTRUCTION:** Extruded aluminum housing.

**REFLECTOR:** Extruded aluminum finished in highly reflective powder coated finish.

**OPTICS:** LED optimized opal diffuse polycarbonate flush (DP) lens. IK10 impact rated.

**LED:** Static white LED modules in 30/35/40 & 50K CCT, 80/90CRI. Lumen maintenance minimum  $L_{70} = 80,000$  hours.

**DRIVER:** Driver is Class 2 AOC 0-10V to 1%, 120/277V input, PF > 90%, THD < 20 @ 120V. All drivers prewired from factory for connection to control system (by others); field replaceable. -30C to 45C operating temperature range.

**ELECTRICAL:** Power feeds and jumper cables for continuous rows are wet location suitable and feature quick connectors.

**MOUNTING:** Options include rigid pendant stems (PD), wall (WM) and surface (S). 18 gauge power & dimming control SJOW feed.

**FINISH:** Durable polyester powder coat finish. Canopies and pendant stems are white unless otherwise specified.

**CERTIFICATION:** Luminaires are cETLus listed conforming to UL STD. 1598 and certified to CSA STD C22.2 NO. 250.0. Suitable for dry, damp and wet locations. IP66 rated.

**LEGAL:** Day-O-Lite, a division of SCW Corporation. All rights reserved. The Day-O-Lite logo is a registered trademark of SCW Corporation. Day-O-Lite reserves the right to change specifications without notice for product improvement.