



# Trilogy Series | TRIL-24-D

Date		Notes
Project		
Type	Qty	

## Features

Extruded aluminum housing w/welded end-plates.

LED optimized optics in multiple configurations.

LED optimized optics for smooth, efficient illumination.

Programmable driver for custom lumen packages.

0-10V dimming to 1% standard or Dim-to-Off.

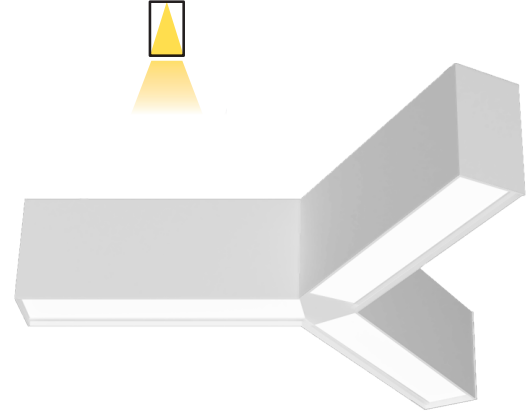
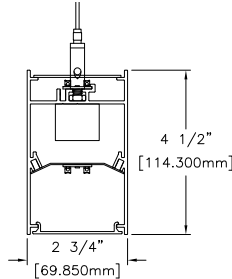
DMX, Lutron and DALI protocols also available.

Sensor Ready for wireless Smart Lighting Solutions.

80/90CRI, Tunable White, RGBW & RGBWW.

Bios SkyBlue™ circadian solutions available.

**Declare** Red List Approved.



## Ordering Guide



MODEL	OPTICS	CCT <sup>1</sup>	LUMENS <sup>2</sup>	LENGTH	MOUNTING <sup>3</sup>	FINISH	OPTIONS
<b>TRIL-24-D</b>							
TRIL-24-D Direct	<p><b>STANDARD</b></p> <p>FL = Flush Opal Acrylic (snap-in)</p> <p><b>OPTIONAL</b></p> <p>AS* = Asymmetric (snap-in)</p> <p>CM* = Collimating (lay-in)</p> <p>BW* = Batwing (lay-in)</p> <p>*Semi-diffuse. LED imaging visible.</p>	<p><b>STATIC WHITE</b> (80 CRI)</p> <p>27 = 2700K 80CRI</p> <p>30 = 3000K 80CRI</p> <p>35 = 3500K 80CRI</p> <p>40 = 4000K 80CRI</p> <p>50 = 5000K 80CRI (add 9 suffix for 90 CRI)</p> <p><b>BIOS SkyBlue</b></p> <p>Circadian solutions</p> <p><b>TUNABLE 2-Channel</b></p> <p>2700K-6500K</p> <p>Fixed CCT Range</p> <p>2DIM10 = for 0-10V</p> <p>2DMX = for DMX</p> <p>2ESN = for Philips</p> <p>2CAS = for Casambi</p> <p>2LUT = for Lutron</p> <p><b>TUNABLE 3-Channel</b></p> <p>1800K-6500K 92 CRI</p> <p>Selectable CCT Range</p> <p>3DIM10 = for 0-10V</p> <p><b>DIM-TO-WARM</b></p> <p>DTW = Dim-to-Warm (2700K-6500K) 0-10V</p> <p>3DTW = Dim-to-Warm (1800K-6500K) 0-10V</p> <p><b>RGB + WHITE (DMX)</b></p> <p>RGB = RGB</p> <p>RGBW = RGBW</p> <p>RGBWW = RGBWW</p>	<p><b>2' LUMENS</b></p> <p>LO = 1324 (23W, 57LPW)</p> <p>SO = 1718 (31W, 55LPW)</p> <p>HO = 2125 (39W, 54LPW)</p> <p><b>4' LUMENS</b></p> <p>LO = 2806 (55W, 51LPW)</p> <p>SO = 3733 (73W, 51LPW)</p> <p>HO = 4650 (91W, 51LPW)</p> <p><b>6' LUMENS</b></p> <p>LO = 4229 (85W, 50LPW)</p> <p>SO = 5655 (114W, 50LPW)</p> <p>HO = 6936 (142W, 49LPW)</p> <p><b>CUSTOM</b></p> <p>Specify &lt; HO.</p>	<p>2 = 2' Dia.</p> <p>4 = 4' Dia.</p> <p>6 = 6' Dia.</p> <p>See size detail page 3.</p>	<p><b>STANDARD</b></p> <p>AC = Aircraft Cable (3)</p> <p>ACM = Aircraft Mono-Point (3-into-1)</p> <p>F = Flanged</p> <p>TRL = Trimless</p>	<p>W = White</p> <p>CC = Custom Color</p> <p>AMW = Anti-Microbial White</p>	<p><b>DIMMING DRIVERS</b></p> <p>DIM10 = 0-10V (1%) Standard</p> <p>DTO = 0-10V (Dim-to-Off)</p> <p>DIMST = 0-10V Step Dimming</p> <p>DIMSR = DALI Sensor Ready (5.0%)</p> <p>DALI = DALI (5.0%)</p> <p>DMX = DMX</p> <p><b>LUTRON™ DIMMING DRIVERS</b></p> <p>LDE1 = Hi-Lume 1% EcoSystem</p> <p>LD2 = Digital 1% (DALI-2)</p> <p>L3DA3W = Hi-Lume 1% 3-Wire</p> <p><b>SENSORS &amp; CONTROLS<sup>4</sup></b></p> <p>AVO = Avi-On Sensor</p> <p>AWNS = Lutron Athena Sensor</p> <p>ESN = EasySense Sensor</p> <p>CAS = Casambi Wireless Control</p> <p><b>EMERGENCY<sup>5</sup></b></p> <p>EMC = Emergency Circuit</p> <p>GTD = Generator Transfer Device</p> <p>EPC4 = 4W Emergency Battery</p> <p>EPC6 = 6.5W Emergency Battery</p> <p>EPC10 = 10W Emergency Battery</p> <p>EPC12 = 12W Emergency Battery</p> <p><b>WIRING</b></p> <p>FWH = Flexible Wiring Harness</p> <p>DWH = DMX Wiring Harness</p>

<sup>1</sup>All LED, BIOS, Tunable White, DTW, and RGB/W options and Ordering Codes page 2.

<sup>2</sup>Lumens at 80CRI, 4000K, SI lens. Photometry page 3.

<sup>3</sup>See page 3 for mounting option details.

<sup>4</sup>All Sensor & Control options page 2.

<sup>5</sup>EPC6 is standard unless otherwise specified. EPC not for DMX drivers.

**BAA** letter of compliance available at [www.dayolite.com](http://www.dayolite.com).

## LED, BIOS, Sensor & Control Ordering Codes

### LED

#### Static White

30 = 3000K 80 CRI  
35 = 3500K 80 CRI  
40 = 4000K 80 CRI  
50 = 5000K 80 CRI

927 = 2700K 90 CRI  
930 = 3000K 90 CRI  
935 = 3500K 90 CRI  
940 = 4000K 90 CRI

#### Tunable<sup>1</sup> 2-Channel

2700K-6500K 80 CRI  
Fixed CCT Range

2DIM10 = 0-10V  
2DMX = DMX 80  
2CAS = Casambi Wireless  
2ESN = Philips EasySense  
2LUT = Lutron (LD2)

92DIM10 = 0-10V 90 CRI  
92DMX = DMX 90 CRI  
92CAS = Casambi Wireless 90 CRI  
92ESN = Philips EasySense 90 CRI  
92LUT = Lutron (LD2) 90 CRI

#### Tunable<sup>1</sup> 3-Channel

1800K-6500K 92 CRI  
Selectable range CCT (factory set)

3DIM10 = 0-10V Dimming

#### Dim-to-Warm<sup>2</sup>

DTW = 6500K-2700K 80 CRI  
9DTW = 6500K-2700K 90 CRI

3DTW = 6500K-1800K 92 CRI  
Selectable range CCT (factory set).  
To specify write in the desired  
range; eg. 65/18 = 6500K-1800K,  
or 57/22 = 5700K-2200K.

#### RGB/W<sup>3</sup>

RGB = RGB only  
RGB27 = RGB w/2700K  
RGB30 = RGB w/3000K  
RGB35 = RGB W/3500K  
RGB40 = RGB w/4000K  
RGB50 = RGB w/5000K  
RGBWW = RGB w/2700K-6500K  
ADV = Advanced Color  
125mm increment RGB or  
RGBW pixel control

#### Single Color

RED = Red  
BLU = Blue  
GRN = Green  
AMB = Amber

### BIOS SkyBlue



BIOS SkyBlue biological technology brings the benefits of blue skies inside. BIOS SkyBlue is the only spectrally optimized circadian solution to target the region that drives wellness benefits including: increased alertness, enhanced productivity, better mood, and better sleep. More information may be found at [www.bioslighting.com](http://www.bioslighting.com) or by contacting Day-O-Lite directly. All options for 0-10V control.

#### BIOS Biological Static

For daytime applications. BIOS Static Biological LED features key BIOS SkyBlue (490nm) for maximum daytime circadian impact.

B30 = 3000K  
B35 = 3500K  
B40 = 4000K

#### BIOS Biological Dynamic White

Designed to transition from daytime to evening in a dim-to-warm protocol. The daytime CCT includes full BIOS SkyBlue (490nm) for maximum daytime circadian impact, while the evening spectrum removes BIOS SkyBlue for minimal circadian stimulus after hours.

B30D = 3000K-2700K  
B35D = 3500K-3000K  
B40D = 4000K-3500K

#### BIOS Biological Tunable White

Designed to transition from daytime to evening in a tunable white protocol. The daytime CCT includes full BIOS SkyBlue (490nm) for maximum daytime circadian impact, while the evening spectrum removes BIOS SkyBlue for minimal circadian stimulus after hours.

B30T = 3000K-2700K  
B35T = 3500K-2700K  
B40T = 4000K-2700K

### Sensors & Controls

#### Sensors\*

AVO = Avi-On Occ/Day  
AVM = Avi-On Occ (Microwave)  
AVN = Avi-On Node  
BNV = BubblyNet Occ/Day  
LEG = Legrand Occ/Day  
ANW = Lutron Athena Occ/Day  
VIVE = Lutron Vive Occ/Day  
NLT = Acuity nLight Occ/Day  
NXC = Current NX Occ/Day  
ESN = Philips EasySense Occ/Day  
WVL = Cooper WaveLinX Occ/Day

\*Sensors for remote mount only.

Sensors and control options to be commissioned wirelessly in the field by qualified controls personnel with applicable apps (by others).

#### Wireless Control\*

CAS = Casambi

#### Other Options

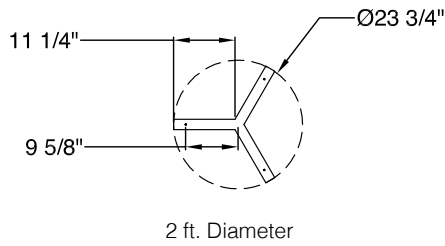
Other sensor and wireless control options are available. Contact factory for details.

<sup>1</sup>Tunable white may be controlled by a number of dimming protocols as shown. 2-Channel has a fixed range of 2700K-6500K. 3-Channel has a maximum range of 1800K-6500K, but other sub-ranges may be specified. 3-Channel Tunable White has a third diode to more closely approximate the black body curve in the mid CCT ranges. Contact Day-O-Lite for details

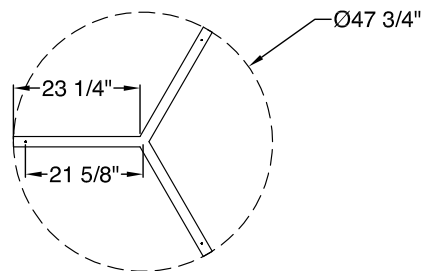
<sup>2</sup>Dim-to-Warm mimics incandescent dimming by warming the CCT from 6500K-2700K (2DTW) or 6500K-1800K (3DTW) as light levels are dimmed.

<sup>3</sup>All RGB, RGBW, RGBWW and ADV options for DMX control (by others). 80 CRI standard.

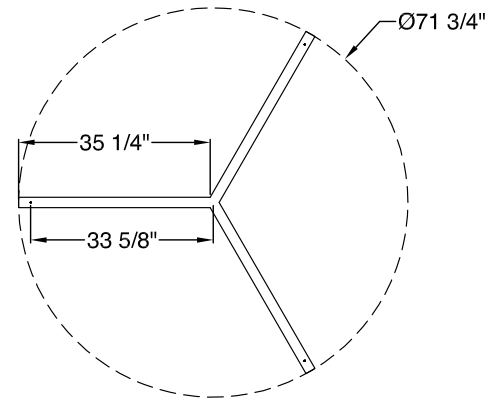
### Sizes & Suspension Locations



2 ft. Diameter



4 ft. Diameter

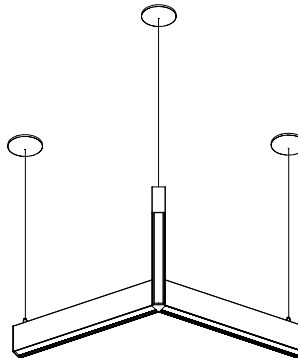


6 ft. Diameter

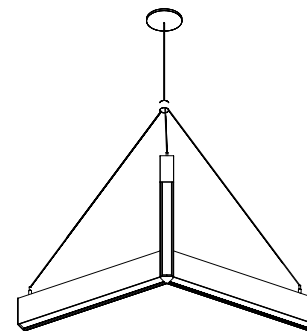
### Standard Suspensions

Standard suspension options include adjustable self-locking aircraft cables (AC), and a 3-into-1 monopoint (ACM).

AC assembly is 48" x 1/16" with a 5" feed canopy and 2" suspension canopies. 60" 18 gauge power and 22 gauge dimming control SJT feed.

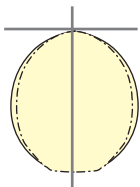


AC = Aircraft Cable



ACM = Mono Point

### Photometry



TRIL-24-D-SI-40-2

**LO**  
4000K CCT  
WATTS: 23  
LUMENS: 1324  
LPW: 57  
Distribution:  
53% Direct  
47% Indirect

**SO**  
4000K CCT  
WATTS: 31  
LUMENS: 1718  
LPW: 55  
Distribution:  
53% Direct  
47% Indirect

**HO**  
4000K CCT  
WATTS: 39  
LUMENS: 2125  
LPW: 54  
Distribution:  
53% Direct  
47% Indirect

TRIL-24-D-SI-40-4

**LO**  
4000K CCT  
WATTS: 55  
LUMENS: 2860  
LPW: 51  
Distribution:  
53% Direct  
47% Indirect

**SO**  
4000K CCT  
WATTS: 73  
LUMENS: 3733  
LPW: 51  
Distribution:  
53% Direct  
47% Indirect

**HO**  
4000K CCT  
WATTS: 91  
LUMENS: 4650  
LPW: 51  
Distribution:  
53% Direct  
47% Indirect

TRIL-24-D-SI-40-6

**LO**  
4000K CCT  
WATTS: 85  
LUMENS: 4229  
LPW: 50  
Distribution:  
53% Direct  
47% Indirect

**SO**  
4000K CCT  
WATTS: 114  
LUMENS: 5655  
LPW: 50  
Distribution:  
53% Direct  
47% Indirect

**HO**  
4000K CCT  
WATTS: 142  
LUMENS: 6936  
LPW: 49  
Distribution:  
53% Direct  
47% Indirect

40000K @ 80CRI, SI lens.

Use the following multipliers for other CCTs: 2700K x 0.94, 3000K x 0.96, 3500K x 0.98, 5000K x 1.02. IES files @ [www.dayolite.com](http://www.dayolite.com)

---

## Specifications

**CONSTRUCTION:** Extruded aluminum housing. 20 gauge cold rolled steel internal components.

**REFLECTOR:** Die-formed steel finished in highly reflective baked white enamel with pre-finished reflective LED tray.

**OPTICS:** LED optimized, shatter resistant polycarbonate regressed lens.

**LED:** Static white LED modules in 27/30/35/40 & 50K CCT, 80/90CRI. Lumen maintenance minimum  $L_{70}$  = 50,000 hours. 3 SDCM color consistency. BIOS SkyBlue, RGB, RGBW, RGBWW. Tunable White and Dim-to-Warm options available.

**DRIVER:** Standard driver is Class 2 AOC 0-10V to 1%, Dim-to-Off available. 120/277V input, PF > 90%, THD < 20 @ 120V. Additional dimming protocols available. All drivers prewired from factory for connection to control system (by others), field replaceable.

**MOUNTING:** Standard options include adjustable self-locking aircraft cables (AC) and a 3-into-1 aircraft cable monopoint (ACM). AC assembly is 48" x 1/16" with a 5" feed canopy and 2" suspension canopies. 18 gauge power and 22 gauge dimming control SJT feed. May also be surface ceiling mounted or recessed in plaster ceilings. Consult factory for recessed options.

**FINISH:** Housing and components finished in baked white enamel. Canopies and pendant stems are white enamel unless otherwise specified.

**CERTIFICATION:** Luminaires are cETLus listed conforming to UL STD. 1598 and certified to CSA STD C22.2 NO. 250.0. Suitable for dry & damp locations. Union Made in the United States of America. I.B.E.W., BAA compliant, Declare Red List Approved.

**LEGAL:** Day-O-Lite, a division of SCW Corporation. All rights reserved. The Day-O-Lite logo is a registered trademark of SCW Corporation. Actual product performance may differ due to end user environment, application and installation. Luminaires have been tested at 25° C ambient temperature. Consult Day-O-Lite for high-ambient conditions. Day-O-Lite reserves the right to change specifications without notice for product improvement.