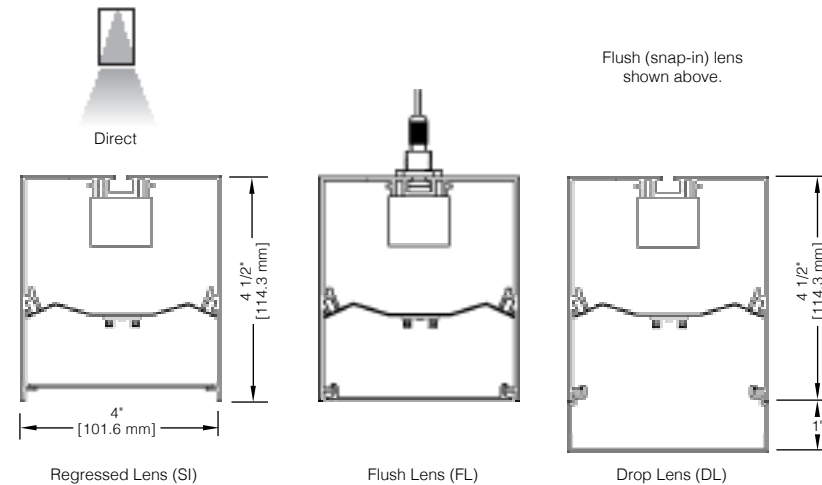
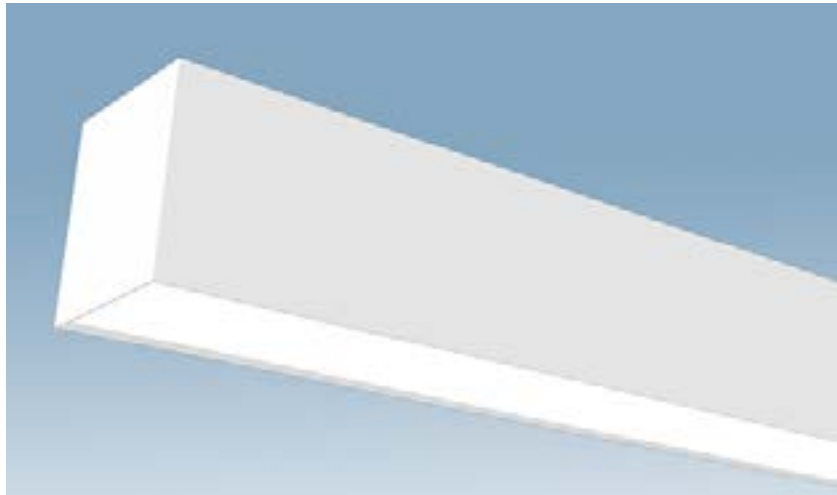




# Profile Series | PRFL-44-D

## LED Luminaire



DATE	NOTES
PROJECT	
TYPE	

- HOUSING:** Extruded aluminum housing.
- REFLECTOR:** Extruded aluminum finished in highly reflective baked white enamel.
- SHIELDING:** LED optimized Satin Ice (SI) acrylic regressed, opal acrylic flush (FL) and opal acrylic drop (DL) lenses are available.
- LEDS:** LED modules<sup>1</sup> in 27/30/35/40 & 50K CCT, 80 CRI (90CRI available). Lumen maintenance minimum L<sub>70</sub> = 50,000 hours. 3 SDCM color consistency.
- ELECTRICAL:** Pre-wired Class 2 AOC electronic driver, 120/277V input, PF > 90%, THD < 20 @ 120V. 0-10V dimming to 1%. -20C to +50C operating range.
- MOUNTING:** Standard options include adjustable self-locking aircraft cables (AC), and rigid pendant stems (PD). AC assembly is 48" x 1/16" with a 5" canopy, and a 16/4 SJT straight 54" cord per power feed location. Additional options available<sup>4</sup>.
- FINISH:** Housing and components finished in baked white enamel. Canopies and pendant stems are white enamel unless otherwise specified.
- CERTIFICATION:** Luminaires are cETLus listed conforming to UL STD. 1598 and certified to CSA STD C22.2 NO. 250.0. Suitable for dry & damp locations. Union Made in the United States of America. I.B.E.W. RoHS compliant.
- PERFORMANCE:** DLC V4.3 Qualified luminaire; minimum 100 LPW efficacy. U.S DOE Lighting Facts<sup>®</sup> certified. Search for additional Day-O-Lite qualified luminaires at [www.designlights.org](http://www.designlights.org). See available options and ordering instructions on page 2.

### Ordering Guide (choose from the lists below and specify)

MODEL	STYLE	DISTRIB.	SHIELDING	COLOR TEMP (CCT) <sup>1</sup>	DELIVERED LUMENS <sup>2</sup>	NOMINAL SIZE <sup>3</sup>	MOUNTING <sup>4</sup>	FINISH	OPTIONS <sup>5</sup>
<b>PRFL</b>	<b>44</b>	<b>D</b>							
PRFL	44	D = Direct	SI = Satin Ice Acrylic Regressed (lay-in) FL = Flush Opal Acrylic (snap-in) DL = Drop Opal Acrylic Lens (snap-in)	30 = 3000K 35 = 3500K 40 = 4000K 50 = 5000K (80CRI standard. 90CRI optional).	LO = 625/ft (6W/ft, 104LPW) SO = 800/ft (8W/ft, 100LPW) All values nominal. See available DLC Delivered Lumens page 2.	4 = 4 ft 6 = 6 ft 8 = 8 ft For other enter row length (e.g. 48 = 48 ft)	AC = Aircraft Cable (standard) PD = Pendant Stem (standard) S = Surface Mount	W = White CC = Custom Color	DIM10 = 0-10V 1% Dimming DIMSR = Sensor Ready (5.0%) ESN = Philips™ EasySense Wireless Daylight & Occupancy Sensor for sensor ready driver. EPC4 = 4W Emergency Pack Tunable White (page 3) Acoustical Tiling (page 4)

<sup>1</sup>80CRI standard, 90CRI available. LM-80 data available on request. Consult factory for 2700K CCT and RGB/W color changing options.

<sup>2</sup>Delivered Lumens are Standard Output (SO) and Low Output (LO) at 80+CRI 4000K CCT with LED optimized Satin Ice Acrylic lens (SI). Use the following multiplier to estimate delivered lumens at other CCTs: 2700K = 0.94, 3000K = 0.96, 3500K = 0.98, 5000K = 1.02. All values nominal.

<sup>3</sup>See page 2 for actual fixture lengths and suspension locations.

<sup>4</sup>For additional suspension mounting options see [www.dayolite.com](http://www.dayolite.com).

<sup>5</sup>See page 2 for the complete list of LED options including DLC, Lutron™, emergency battery back-up (EPC) and other driver/control

Day-O-Lite, a division of SCW Corporation. All rights reserved. The Day-O-Lite logo is a registered trademark of SCW Corporation. Day-O-Lite reserves the right to change specifications without notice for product improvement.



## LED Options

### 0-10V DIMMING DRIVERS

DIM10 = 0-10V (1.0%)<sup>1</sup>  
 DIMSR = Sensor Ready (5.0%)<sup>2</sup>  
 DIMST = Step Dimming (40%/100%)  
 DALI = Digital Addressable Lighting Interface

### LUTRON™ DIMMING DRIVERS

LDE1 = Hi-Lume™ 1%-H EcoSystem™  
 LDE5 = 5-Series 5% EcoSystem™  
 LTEA2W = Hi-Lume™ 1% 2-Wire FCC

### LUTRON™ WIRELESS MODULES (Remote Mount Only)

FCJECO = EcoSystem™ Wireless RF  
 Fixture Module for EcoSystem™ LED drivers.  
 FCJ010 = EcoSystem™ Wireless RF  
 Fixture Module for 0-10V products by others.

### EMERGENCY BATTERY PACK (EPC)<sup>3</sup> & WIRING OPTIONS

EPC4 = (4W) 400 Delivered Lumens  
 EPC7 = (7W) 700 Delivered Lumens  
 EPC10 = (10W) 1000 Delivered Lumens  
 EPC12 = (12W) 1200 Delivered Lumens  
 GTD = Generator Transfer Device  
 EMC = Emergency Circuit

### SENSOR<sup>4</sup> OPTIONS

ESN = Philips™ EasySense<sup>4</sup>  
 DAY = Daylight Harvesting Sensor  
 OCC = Occupancy Sensor

### ADDITIONAL OPTIONS

Tunable White (page 3)  
 Acoustic Tiling (page 4)  
 RGB/W Contact Factory<sup>5</sup>  
 9CR = 90 CRI

### DLC OPTIONS

DLC available in all lens types, sizes, mountings, finishes, DIM10, DIMSR, ESN, EPCX and EMC in the following Standard Output (SO), 80CRI lumen packages only. Please note "DLC" on all RFQs and orders where DLC is desired.

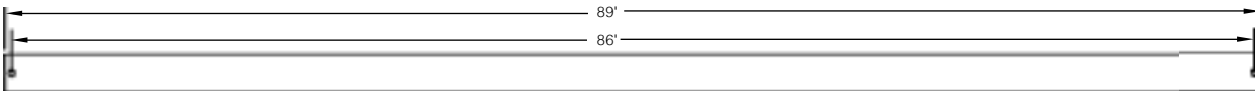
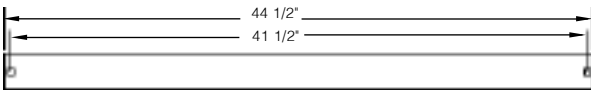
SO 3000K = 744L/ft, 6.7W/ft, 110LPW  
 SO 3500K = 775L/ft, 6.7W/ft, 113LPW  
 SO 4000K = 806L/ft, 6.7W/ft, 116LPW

### OPTIONS NOTES:

<sup>1</sup>Standard 0-10V 1% with linear dimming curve. Add "LOG" to option code for 0-10V 1% logarithmic dimming curve.  
<sup>2</sup>Philips™ Xitanium™ Sensor Ready driver for use w/integrated wireless sensors including Philips™ EasySense™, Enlighted™, EnOcean™, Digital Lumens™ and others.  
<sup>3</sup>EPC performance shown with SI lens options.  
<sup>4</sup>Philips EasySense wireless daylight/occupancy sensor.  
<sup>5</sup>RGB/W color changing options available. Contact Day-O-Lite for details.

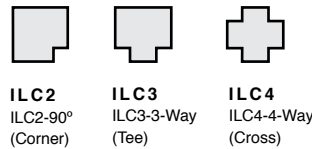
## Linear Sections and Suspension Location

NOMINAL LENGTH	ACTUAL LENGTH	SUSP. 1 O.C.	SUSP. 2 O.C.	SUSP. 3 O.C.
4'	44 1/2"	41 1/2"		
6'	66 3/4"	63 3/4"		
8'	89"	86"		
12'	133 1/2"	86"	44 1/2"	
16'	178"	86"	89"	
20'	222 1/2"	86"	89"	44 1/2"



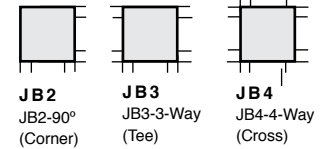
**DIMENSIONS** shown are for suspended and surface mount configurations. Fixtures are continuously illuminated along entire length. Rows are continuously illuminated and joined with included aligner brackets and hardware.

### CORNERS (Illuminated)



**CORNERS & JOINERS** are custom fabricated to precise dimensions. Please indicate the specific requirements on the layout. For any angular corner, (°) must be specified and dimensions must be included on the layout.

### JOINER BOXES (unIlluminated)

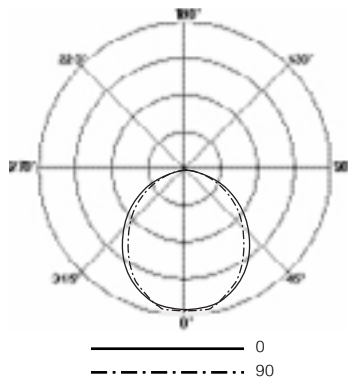


## Photometry

### CANDELA DISTRIB. SI LENS

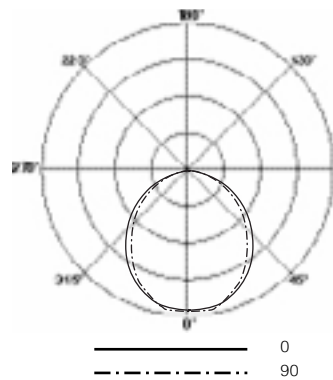
Vert. Angle	0	22.5	45	67.5	90
0	1292	1292	1292	1292	1292
5	1266	1289	1275	1273	1280
10	1229	1242	1236	1237	1225
15	1198	1209	1189	1191	1180
20	1154	1155	1137	1123	1119
25	1107	1108	1077	1080	1051
30	1041	1031	1015	984	987
35	965	952	929	908	898
40	881	866	841	803	792
45	792	772	740	719	705
50	698	678	653	619	601
55	591	580	553	511	503
60	496	482	456	423	413
65	394	387	361	329	323
70	299	294	265	243	236
75	210	202	179	161	156
80	130	122	103	93	88
85	58	51	41	33	32
90	14	7	5	5	5

PRFL-44-D-SI-40-SO-4  
Regressed Lens



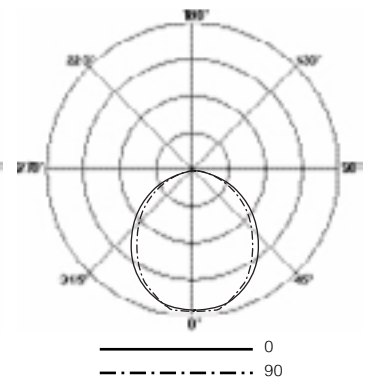
4000K CCT  
 WATTS: 32  
 LUMENS: 3219  
 LPW: 100  
 Optical Distribution:  
 100% Direct

PRFL-44-D-FL-40-SO-4  
Flush Lens



4000K CCT  
 WATTS: 32  
 LUMENS: 3018  
 LPW: 94  
 Optical Distribution:  
 100% Direct

PRFL-44-D-DL-40-SO-4  
Drop Lens



4000K CCT  
 WATTS: 32  
 LUMENS: 3071  
 LPW: 96  
 Optical Distribution:  
 100% Direct

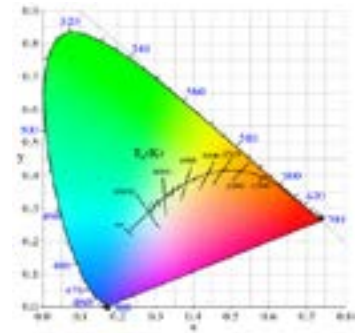
For complete photometrics and .IES files please visit the PRFL-44-D page at [www.dayolite.com](http://www.dayolite.com)

## White Tuning

Day-O-Lite offers a variety of white tuning options and control protocols for a range of human centric applications and budgets. It is recommended that a recognized authority on the benefits, best practices and control of white tuning be consulted. Contact Day-O-Lite for additional information.

As a rule fewer channels will provide a basic level of performance for budget conscious applications. Conversely, an increased number of channels, a wider CCT range, higher CRI and more precise color consistency may be more appropriate depending on the application and desired results.

This becomes apparent when considering the black body curve within the standard CIE chromaticity diagram. Two connected CCT points, one high and one low will define a line drawn beneath the black body locus. Colors on the locus above the line will not be generated by a two channel system. In contrast, three or more channels will more accurately match the locus, resulting in greater color accuracy from the high to the low end of the range.



### 2-CHANNEL WHITE TUNING OPTIONS

**2DIM10** = 0-10V 2-channel driver (1%)  
1000 lumens/ft. @ 4000K, 8W/ft. nominal  
80+ CRI, 3 SDCM color accuracy

**2DMX** = DMX 2-channel driver (1%)  
1000 lumens/ft. @ 4000K, 9W/ft. nominal  
80+ CRI, 3 SDCM color accuracy

**2DLM** = Wattstopper® Digital Lighting Management  
Blanco-2® 2700K-6500K (4000K mid-point)  
1000 lumens/ft. @ 4000K, 10W/ft. nominal  
80+ CRI 3 SDCM color accuracy

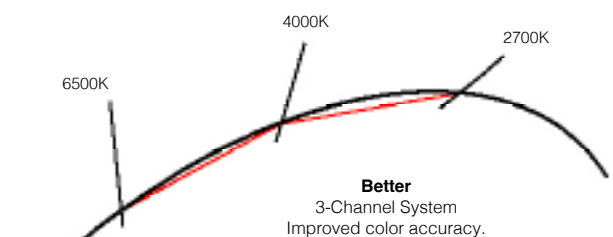
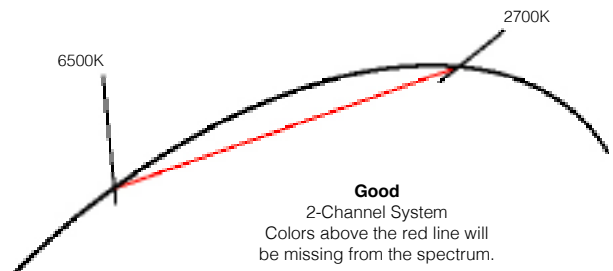
### HOW TO SPECIFY

1. Select from the various channel/control options to the left and insert desired ordering code into the **COLOR TEMP** column of the Ordering Guide on page 1. No need to add a dimming option as the codes to the left include the chosen protocol.
2. Select the **SO** option in the **DELIVERED LUMENS** column.
3. Your luminaire will be built to the chosen system and control protocol. Controls available by Others.

### 3-CHANNEL WHITE TUNING OPTIONS

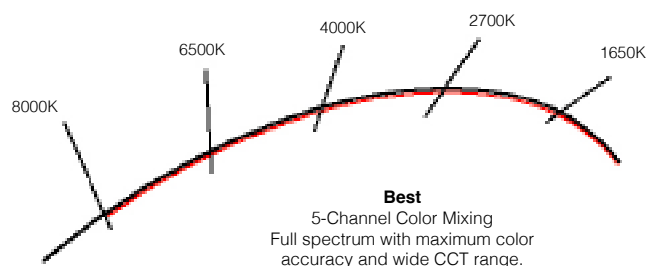
**3DMX** = eldoLED® POWERdrive™ 561/M Driver  
Luxtech® LED array 2700K-6500K (variable)  
1000 lumens/ft. @ 4000K, 9W/ft. nominal  
80+ CRI, 3 SDCM color accuracy

**3DLM** = Wattstopper® Digital Lighting Management™  
Blanco-3® 2700K-6500K (4000K mid-point)  
1000 lumens/ft. @ 4000K  
9W/ft. nominal  
90+ CRI, 2 SDCM color accuracy



### 5-CHANNEL TUNABLE COLOR

**LX10** = Lumenetix® araya<sup>5</sup>™ system, Bluetooth & 0-10V compatible  
**LXDX** = Lumenetix araya<sup>5</sup> system, Bluetooth & DMX compatible  
**LXDL** = Lumenetix araya<sup>5</sup> system, Bluetooth & DLM\* compatible  
**LXLT** = Lumenetix araya<sup>5</sup> system, Bluetooth & Lutron® EcoSystem™  
 Lumenetix araya<sup>5</sup> Tunable Color System  
 RGB/W+ color mixing  
 1650K-8000K color temperature range  
 CCT, intensity, hue and saturation control  
 1000 lumens/ft. @4000K  
 10W/ft. nominal  
 92+ CRI  
 2 SDCM color accuracy  
 ALM - araya<sup>5</sup> logic module (120/277V)  
 Bluetooth equipped for use w/araya<sup>5</sup> iOS App (free)  
 \*Wattstopper® Digital Lighting Management



Day-O-Lite makes no claims as to the psychological or physiological efficacy of the white color tuning options offered herein.

## Acoustic Options

PRFL-24-D is available with a range of acoustic tiling options. Zintra® Acoustic 1/2" Panels are the perfect solution for your application where sound reduction as well as aesthetics are required. Zintra's® wide range of colors and ease of use make it the ideal material for commercial, hospitality, educational and institutional projects.

- MATERIAL:** 100% Polyester with matte surface finish  
1/2" thick panels available in 16 standard colors  
Color uniform throughout
- COLOR FASTNESS:** In accordance with AATCC 16.3 option 3 color change at 20 FU = 4.5
- SOUND ABSORPTION:** 1.05 NRC (Noise Reduction Coefficient)
- FIRE RATING:** ASTM-E84 Class A Fire Rating
- SUITABLE APPLICATION:** Interior dry locations
- CARE INSTRUCTIONS:** Vacuum to remove dust  
Remove spills immediately using a clean damp cloth or with soap and water  
Carpet and fabric cleaners can be used – always test an inconspicuous area first  
Stain repellent coating available for additional protection

### COLORS:



### HOW TO SPECIFY:

To specify acoustic tiling simply add ordering codes to the right to the end of the part number configurator (page 1). Tiling may be specified in 8", 12" and 16" heights, and for individual fixtures 2' to 8' long or continuous rows of any length in 1' nominal increments.

Tiles come pre-affixed to luminaire. No additional assembly is required. Standard lens options are SI = Satin Ice Acrylic Regressed (lay-in) or FL = Flush Opal Acrylic (snap-in) only. All other ordering options apply.

Contact Day-O-Lite for pricing, leadtimes and for non-luminaire filler panels and mounting hardware.

### NRC COMPARISON\*

FREQ. Hz	100	200	400	500	630	800	1000	1250	1600	2000	2500	3150	4000	ā	NRC
0mm/0"	0.03	0.04	0.12	0.25	0.32	0.49	0.61	0.72	0.82	0.85	0.91	0.94	0.95	0.44	0.45
50mm/2"	0.20	0.32	0.63	0.80	0.89	1.03	1.04	0.99	1.07	1.00	0.93	0.87	0.92	0.81	0.80
150mm/6"	0.29	0.57	0.97	0.96	0.91	1.04	0.92	0.88	0.94	0.94	0.91	0.90	0.91	0.97	0.90

Data is per Frequency/Hz in distance from wall for 1/2" material only. Consult factor for fixture data.

### Ordering Guide (choose from the lists below)

OPTIONS	HEIGHT	COLOR
<b>ACT</b>		
ACT = Acoustic Tile	8 = 8" 12 = 12" 16 = 16"	FR = Frost CH = Chambray IV = Ivory SM = Smoke PE = Pewter SL = Slate TR = Tar EC = Ecrú LN = Linen SS = Sunshine MD = Mandarin OC = Ocre SK = Sky CO = Cobalt GR = Grass BK = Bark