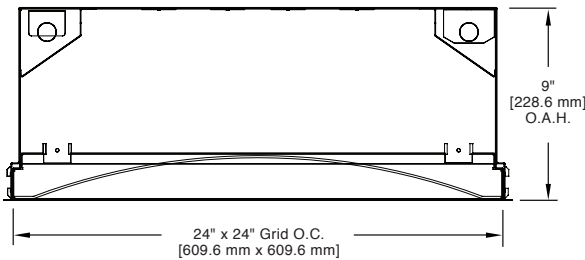
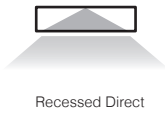
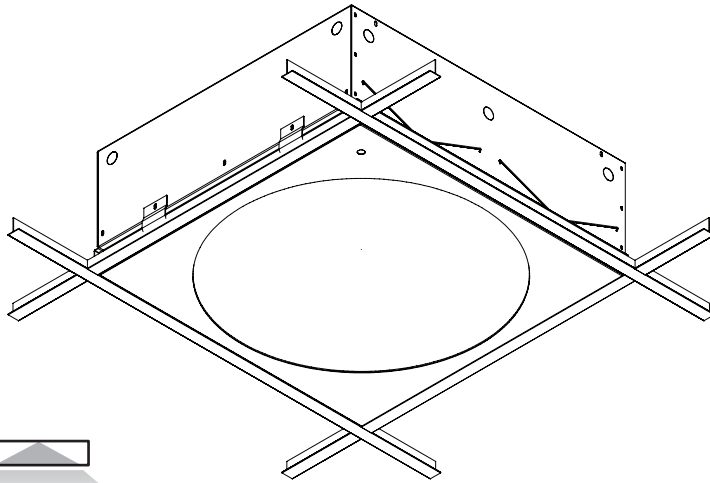




# New Age | NASL-RND 2' Diameter LED Luminaire

DATE	NOTES
PROJECT	
TYPE	



**HOUSING:** Die-formed, two-piece, 20-gauge cold rolled steel. Flanged housing has a mounting angle 14" long on two sides for mounting rods. Grid housing has four holes at corners on top of housing for tie wire.

**TRIM:** A plaster ring is supplied when fixture is mounted to dry wall or plaster ceiling. A circular face trim is provided to mount the circular doorframe.

**REFLECTOR:** Die-formed, 20-gauge, cold rolled steel finished in baked matte white enamel. Consult factory for High Efficiency Optics (HEO) options.

**SHIELDING:** Convex, concave or flat white opal acrylic diffuser. Consult factory for additional options.

**LEDS:** Mid-powered LED arrays in 30/35/40 & 50K CCT, 80+ CRI. L70 = 50,000 hours @ 25 C° ambient temperature.

**ELECTRICAL:** Class 2 driver, 120/277v input, PF > 90%, THD < 20 @ 120v. A variety of dimming, emergency battery back-up and sensor options are available. See below.

**MOUNTING:** Standard installation is drywall ceiling. Optional trim is available for installations in grid ceiling.

**FINISH:** Fixture housing and steel components are finished in baked white enamel applied over a five-stage pretreatment process.

**CERTIFICATION:** Luminaires are cETLus listed conforming to UL STD. 1598 and certified to CSA STD C22.2 NO. 250.0. Union Made in the United States of America. I.B.E.W.

## Ordering Guide (choose from the lists below and specify)

MODEL	STYLE	DISTRIBUTION	SHIELDING	COLOR TEMP	LUMENS	SIZE	MOUNTING	FINISH	VOLTAGE	OPTIONS*
<b>NASL</b>										
NASL	RND	D = Direct	CC = Concave CX = Convex FL = Flat WOA is standard. Consult factory for additional shielding options.	30 = 3000K 35 = 3500K 40 = 4000K 50 = 5000K	LO = 2250 SO = 3300 Consult factory for additional lumen packages and High Efficiency Optics.	2 = 2' dia.	G = Grid MG = Mini Grid SG = Slot Grid F = Flanged (recessed)	W = White CC = Custom Color	U = 120/277 12 = 120V 27 = 277V	DIM10 = 0-10V Dimming DIMST = Step Dimming DIMHL = Dimming Lutron DALI = DALI Dimming DAY = Daylight Sensor OCC = Occupancy Sensor EPC = Emergency Pack EMC = Emergency Circuit TCW = Two Circuit Wiring HEO = High Efficiency Optics

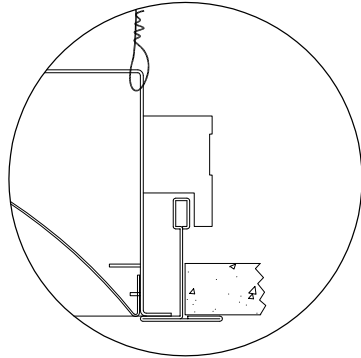
\*For the complete list of all available options please visit [www.dayolite.com](http://www.dayolite.com)

Day-O-Lite, a division of SCW Corporation. All rights reserved. The Day-O-Lite logo is a registered trademark of SCW Corporation. Day-O-Lite reserves the right to change specifications without notice for product improvement.



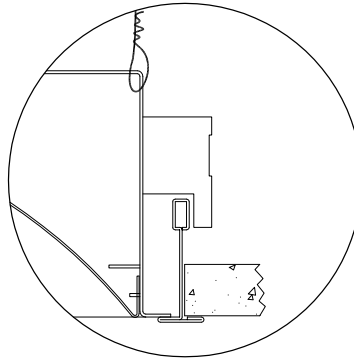
### Grid Ceiling Options

MOUNTING "G"



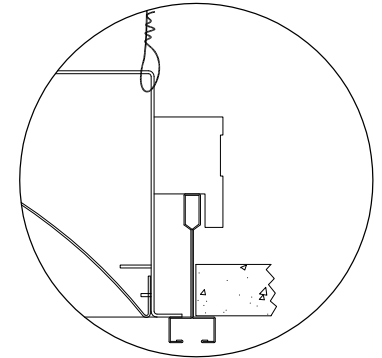
15/16" Inverted "T"

MOUNTING "MG"



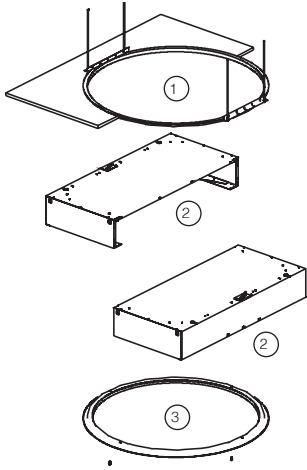
9/16" Inverted "T"

MOUNTING "SG"

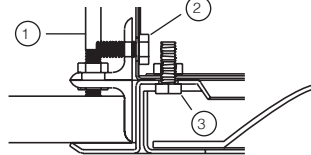


Bolt / Slot Grid

### Installation Preparation



FLANGE

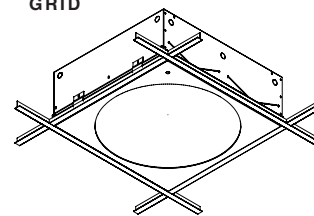


- 1 Secure plaster frame to the ceiling with rods or wire ties. The plaster frames are ship prior to the fixture for ceiling preparation.
- 2 Insert the fixture sections one at a time. The fixture housing is fabricated in two mating sections to allow entry through the plaster frame aperture, the housing is furnished with the necessary hardware for field attachment.
- 3 Install the lens frame assembly to the fixture housing. The lens frame is provided with hardware and is tethered to allow access inside the fixture. The lens door is secured with a bayonet twist locking action.

TYPICAL CROSS SECTION



GRID



### Photometry

#### COEFFICIENTS OF UTILIZATION-ZONAL CAVITY METHOD

pfc = 0.20

pcc	.8		.7		.5		.3		.1		0	
pw	.7	.5	.3	.1	.7	.5	.3	.1	.5	.3	.1	0

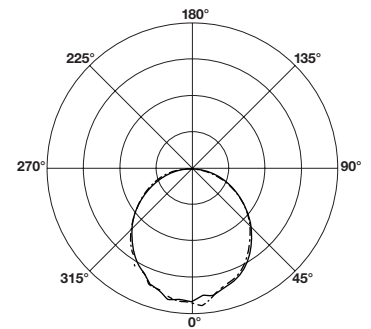
RCR	0	1	2	3	4	5	6	7	8	9	10							
0	68	68	68	68	67	67	67	67	64	64	64	61	61	61	58	58	58	57
1	62	59	56	53	60	58	55	52	55	53	51	53	51	49	48	48	48	47
2	56	51	47	42	55	50	46	42	48	45	41	46	44	40	39	39	39	39
3	51	45	40	35	50	44	40	34	42	38	34	41	37	33	33	33	33	33
4	47	40	35	29	45	39	34	29	38	33	29	36	33	28	28	28	28	28
5	43	35	30	25	42	35	30	25	34	29	25	32	29	24	24	24	24	24
6	40	32	27	21	39	31	26	21	30	26	21	29	25	21	21	21	21	21
7	37	29	24	19	36	28	24	19	28	23	19	27	23	19	19	19	19	19
8	34	26	21	17	33	26	21	17	25	21	17	25	21	17	17	17	17	17
9	32	24	20	15	31	24	19	15	23	19	15	23	19	15	15	15	15	15
10	30	22	18	14	29	22	18	14	22	17	14	21	17	14	14	14	14	14

NASL-RND-D-FL-40-SO-2



#### CANDELA DISTRIBUTION

Vert. Angle	0	22.5	45	67.5	90
0	1324	1324	1324	1324	1324
5	1308	1309	1281	1306	1355
10	1262	1298	1270	1334	1275
15	1256	1251	1231	1254	1241
20	1204	1203	1217	1233	1224
25	1142	1161	1118	1153	1142
30	1104	1080	1095	1080	1080
35	1016	1022	1008	1011	1023
40	928	939	946	932	913
45	843	856	845	850	850
50	747	749	755	750	757
55	661	667	649	686	671
60	569	578	577	566	568
65	476	465	472	474	464
70	387	385	384	382	374
75	281	283	282	280	291
80	197	196	198	196	197
85	103	108	99	105	104
90	37	34	30	35	39



— 0  
 - - - 45  
 - · - · 90

4000K CCT  
 WATTS: 60  
 LUMENS: 3374  
 LPW = 63

Optical Distribution:  
 100% Direct