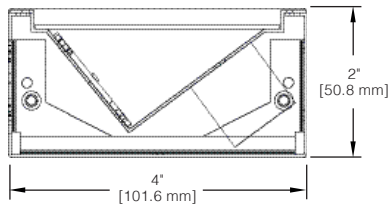
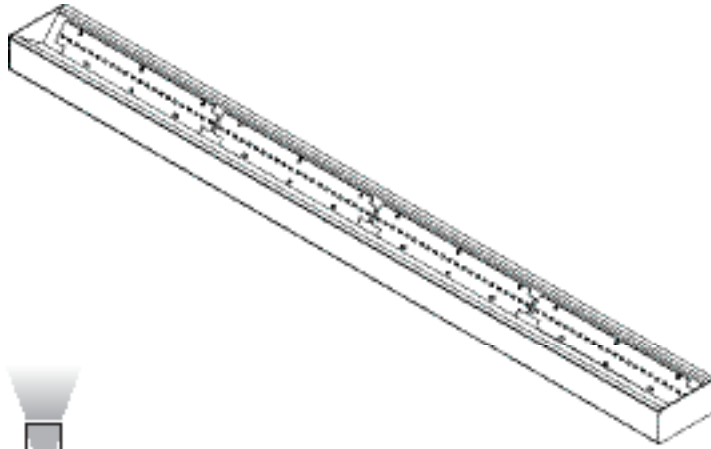


DAY-O-LITE
Cove | ITGL-24
LED Luminaire

DATE	NOTES
PROJECT	
TYPE	



HOUSING: Die-formed, 20-gauge, cold rolled steel riveted construction forming a 2" x 4" rectangular profile. Matching end caps are 20-gauge cold rolled steel. The exposed fixture housing is of welded construction. Finished end caps have no exposed hardware or knockouts.

REFLECTOR: The front reflector is die-formed, 20-gauge cold rolled steel finished in high gloss white enamel. The straight reflector shield is cold rolled steel with high gloss white enamel finish.

SHIELDING: Clear acrylic dust covers are standard. Satin Ice acrylic is also available.

LEDS: LED modules in 30/35/40 & 50K CCT, 80+ CRI (90 CRI available). Lumen maintenance minimum $L_{70} = 50,000$ hours @ 25 C° ambient temperature. 3 SDCM color consistency. Zhaga™ compliant (Book 7).

ELECTRICAL: Class 2 AOC electronic driver, 120/277V input, PF > 90%, THD < 20 @ 120V. 0-10V dimming to 5%. -20C to +50C operating range. <24dB Class A sound rating. 0-10V dimming is standard.

MOUNTING: All housings are supplied with 7/8" knockouts and key slot mounting holes.

FINISH: Fixture housing and steel components are finished in baked white enamel applied over a five-stage pretreatment process.

CERTIFICATION: Luminaires are cETLus listed conforming to UL STD. 1598 and certified to CSA STD C22.2 NO. 250.0. Suitable for dry locations; consult factory for damp locations. Union Made in the United States of America. I.B.E.W. RoHS compliant.

Ordering Guide (choose from the lists below and specify)

MODEL	STYLE	DISTRIBUTION	SHIELDING	COLOR TEMP (CCT)	DELIVERED LUMENS ¹	SIZE	MOUNTING	FINISH	VOLTAGE	OPTIONS ²
ITGL	24	ID							U	
ITGL	24	ID = Indirect	DCS = Clear Acrylic Dust Covers SI = Satin Ice Acrylic	27 = 2700K 30 = 3000K 35 = 3500K 40 = 4000K 50 = 5000K 80CRI standard. Consult factory for 90CRI	LO = 740/ft (6W/ft, 120LPW) SO = 990/ft (8W/ft, 120LPW) Consult factory for additional lumen packages. All values are nominal.	2 = 2 ft 4 = 4 ft 6 = 6 ft 8 = 8 ft For other enter row length (e.g. 48 = 48 ft)	CS = Con-cealed EX = Exposed	W = White CC = Custom Color	Universal 120/277V	DIM10 = 0-10V 5% Dimming DIM101 = 0-10V 1% Dimming DIMST = 0-10V Step Dimming DAY = Daylight Sensor OCC = Occupancy Sensor EPC5 = 5W Emergency Pack? EMC = Emergency Circuit ² See page 2 for complete list of LED options including Lutron™ dimming and notes.

¹Delivered Lumens are Standard Output (SO) and Low Output (LO) at 80+CRI 4000K CCT with LED optimized Satin Ice Acrylic lens (SI). Use the following multiplier to estimate delivered lumens at other CCTs: 3000K = 0.96, 3500K = 0.98, 5000K = 1.02. Consult factory for 90CRI. See www.dayolite.com for the list of all Standard Options.



All LED Options

0-10V DIMMING¹ DRIVERS

DIM10 = 0-10V (5.0%)¹
 DIMSR = 0-10V (5.0%) Sensor Ready²
 DIM101 = 0-10V (1.0%)
 DIM100 = 0-10V (0.1%) Fade-to-Off
 DIMST = Step Dimming (100%/40%/0%)
 DALI = Digital Addressable Lighting Interface

LUTRON™ DIMMING DRIVERS

LDE1 = Hi-Lume™ 1%-H EcoSystem™³
 LDE5 = 5-Series 5% EcoSystem™
 L3DAE = Hi-Lume™ 1% EcoSystem™
 L3DA3W = Hi-Lume™ 1% 3-Wire
 LTEA2W = Hi-Lume™ 1% 2-Wire FFC⁴

LUTRON™ WIRELESS MODULES

FCJECO = EcoSystem™ Wireless RF
 Fixture Module for EcoSystem™ LED drivers.
 FCJ010 = EcoSystem™ Wireless RF
 Fixture Module for 0-10V products by others.

EMERGENCY & WIRING OPTIONS

EPC5 = 5W Emergency LED Battery Pack⁵
 EPC7 = 7W Emergency LED Battery Pack⁵
 EPC10 = 10W Emergency LED Battery Pack⁵
 EPC12 = 12W Emergency LED Battery Pack⁵
 GTD = Generator Transfer Device
 EMC = Emergency Circuit

SENSOR⁶ OPTIONS

DAY = Daylight Harvesting Sensor
 OCC = Occupancy Sensor
 DOC = Daylight/Occupancy Sensor

ADDITIONAL OPTIONS

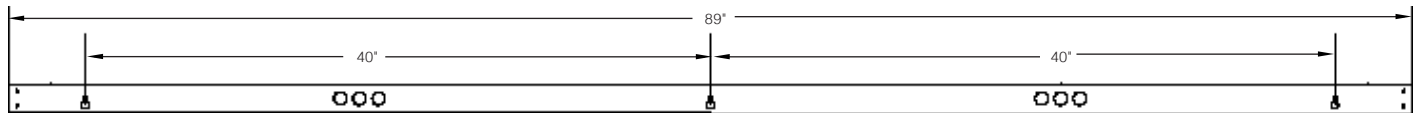
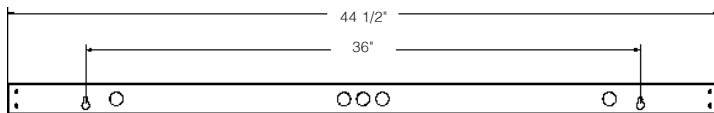
TWC = Two Circuit Wiring
 CHP = Chicago Plenum Application
 FFH = Fuse/Fuse Holder
 FWH = Flexible Wiring Harness
 RIF = Radio Interference Filter

OPTIONS NOTES:

¹All Day-O-Lite LED luminaires are 0-10V 5% capable. Select the DIM10 option if prewiring for 5% dimming is desired and Day-O-Lite will supply purple/gray wires. All other dimming options are automatically prewired.
²Philips™ Xitanium™ Sensor Ready LED driver. Consult factory for compatible sensors and control systems.
³Hi-Lume 1%-H EcoSystem with Soft-On, Fade-to-Black™, 100%-5% via CCR* dimming; 5%-1% via PWM** dimming.
⁴120V Forward Phase Control only.
⁵To calculate delivered emergency lumens multiple fixture LPW (below) by EPC wattage. For remote EPC mounting consult factory.
⁶Not all fixtures accept integral sensors. Contact factory for sensor integration specifics and for additional sensor options.

For more information on Lutron™ LED drivers please visit www.lutron.com
 *CCR = Constant Current Reduction Dimming
 **PWM = Pulse Width Modulation Dimming

Linear Sections and Mounting Location

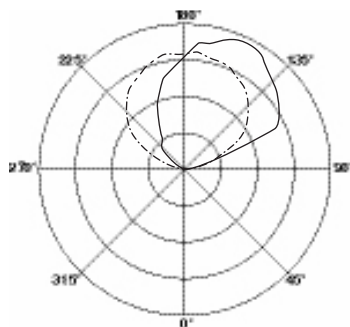


Photometry

ITGL-CA-24-I-40-SO-4

CANDELA DISTRIBUTION

Vert. Angle	0	22.5	45	67.5	90
90	9	10	9	8	3
95	27	29	30	27	31
100	57	58	63	65	108
105	90	101	113	129	232
110	143	152	170	216	364
115	183	195	238	302	525
120	245	262	307	403	674
125	307	319	354	509	802
130	377	383	421	621	909
135	429	415	498	736	1001
140	455	477	616	837	1081
145	562	605	728	938	1145
150	692	735	855	1012	1191
155	848	863	961	1084	1240
160	946	981	1050	1156	1296
165	1079	1083	1118	1217	1322
170	1153	1171	1193	1268	1348
175	1239	1254	1232	1298	1329
180	1342	1342	1342	1342	1342



— 0
 - - - 90

4000K CCT
 WATTS: 32
 LUMENS: 3958
 LPW: 24

Optical Distribution:
 100% Indirect

For complete photometrics and .IES files please visit the ITGL-24-ID page at www.dayolite.com