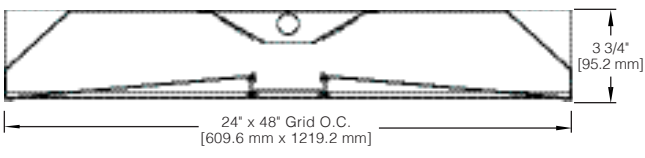
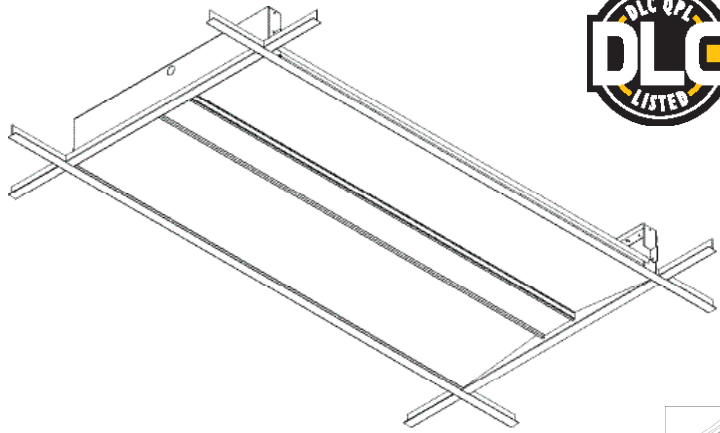




# Harmony | HML 2X4

LED Luminaire



|         |     |       |
|---------|-----|-------|
| DATE    |     | NOTES |
| PROJECT |     |       |
| TYPE    | QTY |       |

**HOUSING:** Die-formed, 20-gauge, cold rolled steel housing. Decorative center divider rails are extruded aluminum with specular aluminum inserts.

**REFLECTOR:** Highly reflective, die-formed steel finished in baked white enamel is standard. Consult factory for high efficiency options.

**SHIELDING:** Center and side lenses are LED optimized Satin Ice Acrylic.

**LEDS:** LED modules in 30/35/40 CCT, 80 CRI. Lumen maintenance minimum  $L_{80} = 50,000$  hours. 3 SDCM color consistency. Zhaga™ compliant (Book 7). Field replaceable.

**ELECTRICAL:** Pre-wired Class 2 AOC electronic driver, 120/277V input, PF > 90% and THD < 20 @ 120/277V. 0-10V dimming to 1%. -20C to +50C operating range. <24dB Class A sound rating.

**MOUNTING:** Standard installation is in an exposed inverted T-bar ceiling. Fixtures are supplied with four support brackets for additional support to T-bar.

**FINISH:** Fixture housing and steel components are finished in baked white enamel.

**CERTIFICATION:** Luminaires are cETLus listed conforming to UL STD. 1598 and certified to CSA STD C22.2 NO. 250.0. Inherently protected; suitable for insulated ceilings. Dry location only; consult factory for damp location. Union Made in the United States of America. I.B.E.W.

**PERFORMANCE:** DLC V4.2 Qualified luminaire; minimum 100 LPW efficacy. U.S DOE Lighting Facts® certified. Search for additional Day-O-Lite DLC qualified luminaires at designlights.org.

## Ordering Guide (choose from the lists below and specify options in yellow boxes)

| MODEL      | STYLE           | DISTRIB.   | SHIELDING              | COLOR TEMP (CCT)                                       | DELIVERED LUMENS   | SIZE      | MOUNTING  | FINISH   | OPTIONS  |
|------------|-----------------|------------|------------------------|--|--|-----------|---|--|--|
| <b>HML</b> | <b>A</b>        | <b>D</b>   | <b>SI</b>              |  | <b>SO</b>  | <b>24</b> |   |  |  |
| HML        | A = Angled Lens | D = Direct | SI = Satin Ice Acrylic | 30 = 3000K<br>35 = 3500K<br>40 = 4000K<br>(80CRI only) | SO = 5900L (54W, 109LPW @ 3000K)<br>SO = 5990L (54W, 110LPW @ 3500K)<br>SO = 6070L (54W, 112LPW @ 4000K) | 2x4       | G = Grid<br>MG = Mini Grid<br>SG = Slot Grid<br>F = Flanged (recessed)<br>TRL = Trimless (recessed) | W = White<br>CC = Custom Color<br>AMW = Anti-Microbial White | DIM10 = 0-10V 1% Dimming<br>ESN = Philips™ EasySense Wireless Daylight & Occupancy Sensor.<br>OCC = Occupancy Sensor only<br>DAY = Daylight Sensor only<br>EPC5 = 5W Emergency Pack (additional EPC options page 2.)<br>EMC = Emergency Circuit<br>GTD = Generator Transfer Device<br>LVC = Low Voltage Controller |

See page 2 for the complete list of LED options including emergency battery back-up (EPC).

Contact Day-O-Lite at (401) 467-8232 from 8:00 am to 5:00 pm East Coast Time for additional information on this and other DLC qualified products.

Day-O-Lite, a division of SCW Corporation. All rights reserved. The Day-O-Lite logo is a registered trademark of SCW Corporation. Day-O-Lite reserves the right to change specifications without notice for product improvement.



### Options

#### 0-10V DIMMING

Standard 0-10V 1% with linear dimming curve. Add "LOG" to option code for 0-10V 1% logarithmic dimming curve.

#### EPC (EMERGENCY BATTERY PACK) & WIRING OPTIONS

EPC5 = (5W) 520 Delivered Lumens  
 EPC7 = (7W) 720 Delivered Lumens  
 EPC10 = (10W) 1000 Delivered Lumens  
 EPC12 = (12W) 1240 Delivered Lumens

#### ADDITIONAL OPTIONS

ESN = Philips™ EasySense®  
 DAY = Daylight Harvesting Sensor  
 OCC = Occupancy Sensor  
 GTD = Generator Transfer Device  
 EMC = Emergency Circuit  
 TCW = Two Circuit Wiring

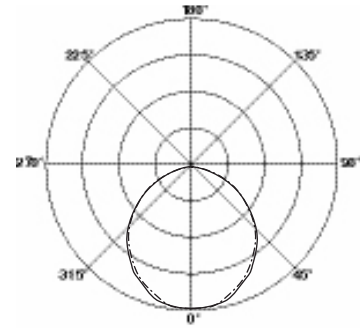
#### IES FILE

IES file available at [www.dayolite.com](http://www.dayolite.com)

### Photometrics

#### CANDELA DISTRIBUTION

| Vert. Angle | 0  | 22.5 | 45   | 67.5 | 90        |
|-------------|----|------|------|------|-----------|
| 0           | 0  | 2851 | 2851 | 2851 | 2851 2851 |
| 5           | 5  | 2834 | 2837 | 2835 | 2839 2831 |
| 10          | 10 | 2782 | 2791 | 2791 | 2795 2786 |
| 15          | 15 | 2706 | 2712 | 2714 | 2717 2708 |
| 20          | 20 | 2595 | 2602 | 2602 | 2602 2594 |
| 25          | 25 | 2452 | 2464 | 2455 | 2453 2443 |
| 30          | 30 | 2288 | 2296 | 2284 | 2271 2263 |
| 35          | 35 | 2097 | 2102 | 2087 | 2068 2054 |
| 40          | 40 | 1892 | 1894 | 1875 | 1849 1831 |
| 45          | 45 | 1672 | 1676 | 1652 | 1614 1595 |
| 50          | 50 | 1453 | 1450 | 1424 | 1383 1358 |
| 55          | 55 | 1230 | 1226 | 1198 | 1151 1128 |
| 60          | 60 | 1012 | 1008 | 975  | 926 900   |
| 65          | 65 | 803  | 796  | 760  | 706 680   |
| 70          | 70 | 603  | 596  | 553  | 493 473   |
| 75          | 75 | 421  | 412  | 353  | 315 302   |
| 80          | 80 | 256  | 240  | 193  | 166 157   |
| 85          | 85 | 114  | 89   | 62   | 47 41     |
| 90          | 90 | 0    | 0    | 0    | 0 0       |



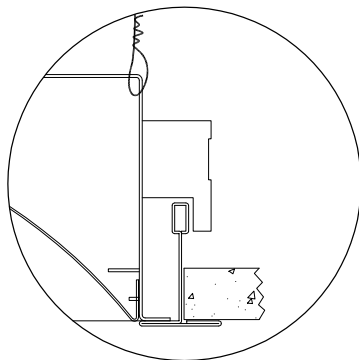
— 0  
 - - - - - 90

HML-A-D-DP-30-SO-24

CCT: 3000K  
 WATTS: 54  
 LUMENS: 6042  
 EFFICACY: 112 LPW  
 Optical Distribution: 100% Direct

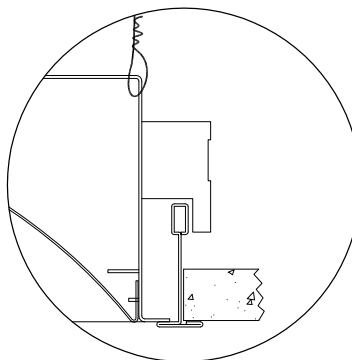
### Grid Ceiling Mounting Options

MOUNTING "G"



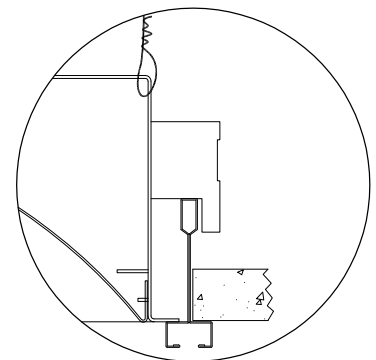
15/16" Inverted "T"

MOUNTING "MG"



9/16" Inverted "T"

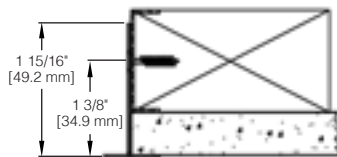
MOUNTING "SG"



Bolt / Slot Grid

### Drywall Ceiling

Mounting Detail



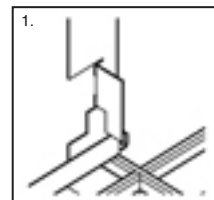
Flange Kit for drywall ceilings included with each fixture. Additional kits may be purchased separately.

FK-14 for 1x4      FK-24 for 2x4  
 FK-22 for 2x2      FK-44 for 4x4

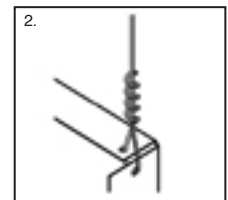
### Grid Ceiling

Five-step Universal Installation Sequence.

Complete Installation Instructions for grid and drywall ceiling types are available at: [www.dayolite.com](http://www.dayolite.com)



Position Fixture



Secure Tie Wire

