

Features

JAZ-1186-WM is a new wall mount version, that compliments our standard JAZ-1186 series, for todays modern applications. JAZ-1186-WM is the ideal luminaire for any installation where high performance and comfortable lighting are required.

Specifications

HOUSING: Die formed 20-gauge cold rolled steel perforated housing is 1/16" holes on 3/32" staggered centers with white acrylic .020 translucent overlay.

SHIELDING: Parabolic semi-specular low iridescence aluminum 1" x 4" O.C. with 12 cells per 4' section. Four spring clips secure snap in louver.

REFLECTOR: Die formed 20-gauge cold rolled steel minimum 90% reflectivity finished in baked white enamel. Die formed specular reflector is also available.

ELECTRICAL: Ballast is electronic, low-profile, universal voltage 120/277, high power factor, thermally protected, sound rated A with less than 10% total harmonic distortion. Luminaires in rows are pre-wired with quick connect through wiring. The minimum number of ballasts will be used unless otherwise specified. Please consult factory for lamp/ballast availability.

BALLAST DISCONNECT: Luminaires are pre-wired with integrated locking disconnects.

MOUNTING: Standard installation is wall mount

FINISH: Fixture housing and steel components are finished in baked white enamel applied over a five-stage pretreatment process.

LAMPS: Fixtures are provided for use with T5, T5HO or T8 lamps. (Supplied by Others)

CERTIFICATION: Luminaires are U.L. Listed, C.S.A. certified and are Union Made in the United States of America. I.B.E.W.

TYPE

Ordering Guide

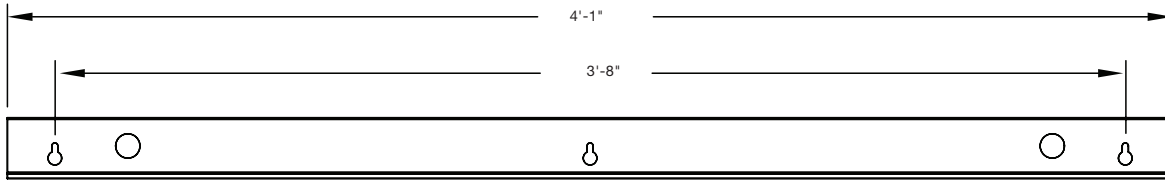
MODEL NO.	DIRECTION	SHIELDING	NUMBER OF LAMPS	LAMPS	MOUNTING	ROW LENGTH	FINISH	VOLTAGE	OPTIONS
JAZ-1186	DI								
JAZ-1186	DI = Direct/ Indirect	PBL = Parabolic Louver	2	T5 T5HO T8	WM = Wall Mount	4 = 4 ft 8 = 8 ft For other, please enter row length (eg. 48 = 48 ft)	W = White CC = Custom Color	UNV = 120/277	DIM = Dimming Ballast EPC = Emergency Battery Pack EMC = Emergency Circuit TCW = Two Circuit Wiring OTH = Other options available, see page 355

Example » JAZ-1186 | DI | PBL | 2T5HO | WM | 4 | W | UNV

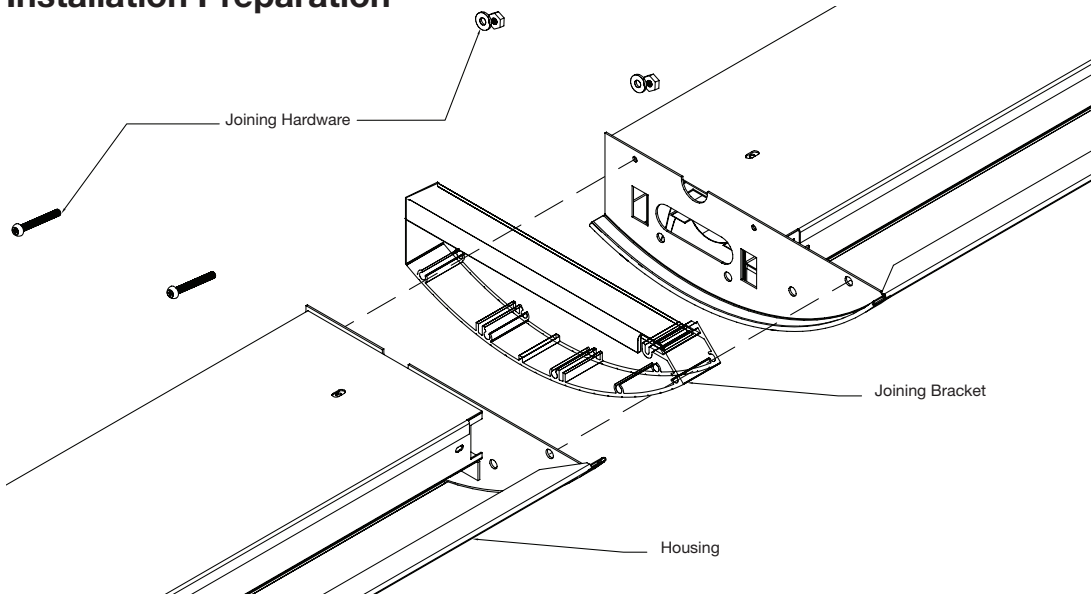
JAZ-1186 direct indirect with a parabolic louver for two 54 watt T5HO lamps, wall mounted 4' fixture, finished in baked white enamel, universal voltage electronic ballast less than 10% total harmonic distortion.



Linear Sections and Suspension Location



Installation Preparation



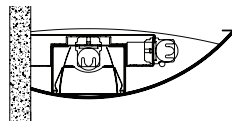
Photometry

COEFFICIENTS OF UTILIZATION-ZONAL CAVITY METHOD

pfc = 0.20

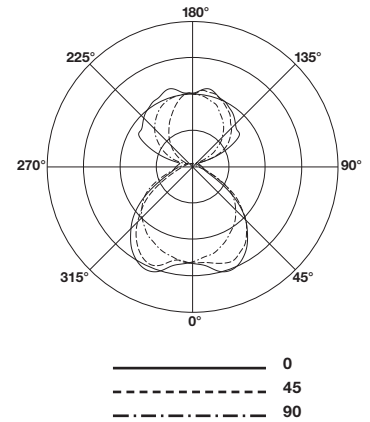
pcc	.8				.7				.5				.3				.1				0
pw	.7	.5	.3	.1	.7	.5	.3	.1	.5	.3	.1	.5	.3	.1	.5	.3	.1	.5	.3	.1	0
RCR																					
0	72	72	72	72	67	67	67	67	58	58	58	49	49	49	42	42	42	38	38	38	38
1	67	64	61	59	62	59	57	55	51	50	48	44	43	42	37	37	36	33	32	31	33
2	61	56	52	49	57	52	49	46	45	43	41	39	37	36	33	32	31	28	28	28	28
3	56	49	45	41	52	46	42	39	40	37	34	35	32	30	30	28	26	24	24	24	24
4	51	44	39	35	47	41	37	33	36	32	30	31	28	26	27	25	23	21	21	21	21
5	47	39	34	30	43	37	32	28	32	28	25	28	25	23	24	22	20	18	18	18	18
6	43	35	30	26	40	33	28	25	29	25	22	25	22	20	22	19	18	16	16	16	16
7	40	32	26	23	37	30	25	22	26	22	20	23	20	18	20	17	16	14	14	14	14
8	37	29	24	20	34	27	22	19	24	20	17	21	18	16	18	16	14	12	12	12	12
9	34	26	21	18	32	25	20	17	22	18	15	19	16	14	17	14	12	11	11	11	11
10	32	24	19	16	30	23	18	15	20	16	14	18	15	13	15	13	11	10	10	10	10

Total Luminaire Optical Efficiency = 66.9%



CANDELA DISTRIBUTION

Vert. Angle	0	45	90	135	180
0	803	803	803	803	803
10	843	813	763	782	799
20	926	856	725	816	874
30	877	827	656	768	811
40	736	724	583	661	660
50	541	552	483	481	453
60	259	322	332	249	149
70	129	133	105	52.7	15.9
80	99.6	82.2	34.3	10.8	3.38
90	75.7	54.9	11.1	4.15	5.08
100	133	128	74.4	21.0	23.3
110	309	274	167	60.2	40.5
120	472	375	263	125	95.7
130	492	449	354	203	167
140	545	516	431	289	243
150	581	565	489	370	326
160	612	604	536	458	416
170	609	604	562	543	513
180	573	573	573	573	573



— 0
- - - 45
- · - 90

Lamp (2) 32w T8
Lumens: 2900 Per Lamp

Optical Distribution:
57% Direct: 43% Indirect

Day-O-Lite reserves the right to change product specifications without notice for product improvement.