

Other shielding perforation options available, see page 360

## Features

The G1-I is one variation of a complete family of suspended linear fluorescent luminaires. The G1-I is an indirect version of the family of luminaires. The computer designed optical system creates a widespread soft indirect distribution. The low profile and modern design provide excellent efficiency and styling where high performance and uniform lighting are required.

## Specifications

**HOUSING:** One piece die formed 20-gauge cold rolled steel welded construction forming a 9.50" x 3.25" rounded profile. Finished end caps are laser cut 16-gauge cold rolled steel, with no exposed hardware or knockouts. Aligner brackets are provided to eliminate light leaks and for precision alignment of continuous rows.

**REFLECTOR:** Die formed 20-gauge cold rolled steel minimum 90% reflectivity finished in high gloss baked white enamel with die formed side reflectors.

**ELECTRICAL:** Ballast is electronic, universal voltage 120/277, high power factor, thermally protected, sound rated A with less than 10% total harmonic distortion. Luminaires in rows are pre-wired with quick connect through wiring. The minimum number of ballasts will be used unless otherwise specified.

**BALLAST DISCONNECT:** Luminaires are pre-wired with integrated locking disconnects.

**MOUNTING:** Standard Installation is an adjustable self-locking aircraft cable assembly 48" x 3/32" in diameter with 5" canopy. One 16/4 SJT straight 54" cord is supplied with each power feed. Standard pendants are available in 24" lengths. See Mounting Options pages for additional mounting.

**FINISH:** Fixture housing and steel components are finished in baked white enamel applied over a five-stage pretreatment process.

**LAMPS:** Fixtures are provided for use with one, two or three T8, T5 or T5HO lamps. (Supplied by Others)

**CERTIFICATION:** Luminaires are U. L. Listed, C.S.A. certified and are Union Made in the United States of America I.B.E.W.

TYPE

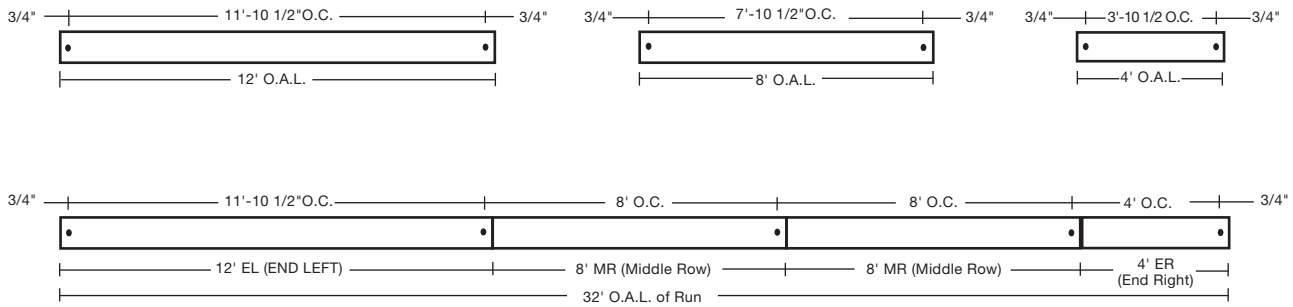
## Ordering Guide

MODEL NO.	DIRECTION	SHIELDING	NUMBER OF LAMPS	LAMPS	MOUNTING	ROW LENGTH	FINISH	VOLTAGE	OPTIONS
<b>G1</b>	<b>I</b>	<b>1</b>							
G1	I = Indirect	1 = Solid (shown)	1 2 3	T8 T5 T5HO	AC = Cable PD = Pendant Other mounting options available, see pgs. 357-359	4 = 4 ft 8 = 8 ft 12 = 12 ft For other, please enter row length (eg. 48 = 48 ft)	W = White CC = Custom Color	UNV = 120/277	DIM = Dimming Ballast EPC = Emergency Battery Pack EMC = Emergency Circuit TCW = Two Circuit Wiring SPEC = Specular Side Reflectors OTH = Other options available, see page 355

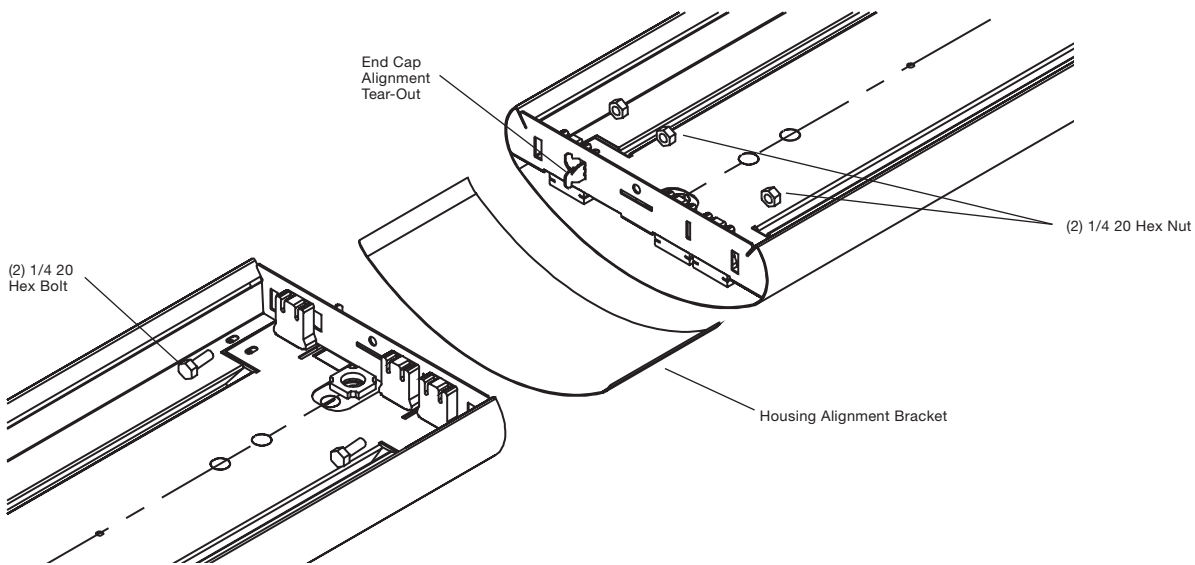
**Example »** G1 | I | 1 | 2T8 | AC | 4 | W | UNV

Generation One rounded profile for two 32 watt T8 lamps with two 48 inch aircraft cables and power feed four foot fixture finished in baked white enamel with universal voltage electronic ballast less than 10% total harmonic distortion.

## Linear Sections and Suspension Location



## Installation Preparation



## Photometry

### COEFFICIENTS OF UTILIZATION-ZONAL CAVITY METHOD

pfc = 0.20

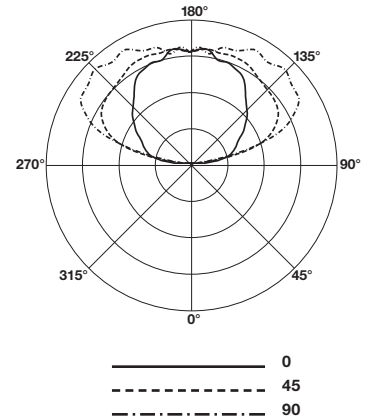
pcc pw	.8			.7			.5			.3			.1			0		
	.7	.5	.3	.1	.7	.5	.3	.1	.5	.3	.1	.5	.3	.1	.5	.3	.1	0
<b>RCR</b>																		
0	85	85	85	85	73	73	73	73	50	50	50	28	28	28	9	9	9	0
1	77	74	71	68	66	63	61	58	43	42	40	25	24	23	7	7	7	0
2	70	64	59	55	60	55	51	48	38	35	33	22	21	20	6	6	6	0
3	64	56	50	46	54	48	44	40	33	30	28	19	18	16	5	5	5	0
4	58	50	43	38	50	43	37	33	29	26	23	17	15	14	4	4	4	0
5	53	44	37	32	45	38	32	28	26	23	20	15	13	12	4	4	4	0
6	49	39	32	28	42	34	28	24	23	20	17	13	12	10	3	3	3	0
7	45	35	28	24	38	30	25	21	21	17	15	12	10	9	3	3	3	0
8	41	31	25	21	35	27	22	18	19	15	13	11	9	8	2	2	2	0
9	38	28	22	18	33	24	19	16	17	14	11	10	8	7	2	2	2	0
10	36	26	20	16	30	22	17	14	15	12	10	9	7	6	2	2	2	0

Total Luminaire  
Optical Efficiency = 89.2%



### CANDELA DISTRIBUTION

Vert. Angle	0	22.5	45	67.5	90
90	23.1	21.1	17.4	18.0	14.1
95	120	145	140	146	149
100	224	327	360	363	365
105	318	466	581	620	630
110	419	581	730	846	860
115	510	672	850	986	1022
120	621	744	934	1078	1135
125	716	821	1011	1145	1219
130	800	904	1079	1212	1270
135	881	987	1137	1259	1314
140	989	1053	1196	1304	1371
145	1056	1137	1255	1350	1390
150	1149	1206	1320	1404	1436
155	1194	1246	1326	1401	1426
160	1228	1262	1340	1390	1404
165	1275	1281	1317	1337	1383
170	1270	1293	1294	1350	1332
175	1292	1308	1305	1341	1309
180	1319	1319	1319	1319	1319



Lamp (2) 32w T8

Lumens: 2900 Per Lamp

Optical Distribution:  
100% Indirect

Day-O-Lite reserves the right to change product specifications without notice for product improvement.