

Features

The Apollo 1999 asymmetric architectural linear luminaire is one variation of a complete family of precision narrow aperture luminaires. This Apollo series of luminaires are designed for mounting in dry wall or plaster ceiling. The series can be mounted individually and in perfectly aligned continuous rows. The Apollo Series is an ideal solution for applications that require high levels of vertical illumination.

Specifications

HOUSING: Die formed 20-gauge cold rolled steel welded construction 3 1/4" wide by 3 1/2" high. The bottom of housing is open with angular reflector for asymmetrical distribution. Mounting brackets are provided for ease of installation.

REFLECTOR: Three part reflector assembly is die formed .025 specular anodized aluminum for direct and asymmetric distribution including a black perforated steel angle reflector to eliminate back lighting.

ELECTRICAL: Ballast is electronic, universal voltage 120/277, high power factor, thermally protected, sound rated A with less than 10% total harmonic distortion. The minimum number of ballasts will be used unless otherwise specified.

BALLAST DISCONNECT: Luminaires are pre-wired with integrated locking disconnects.

MOUNTING: Standard installation is for dry wall ceiling. Mounting brackets are provided with each fixture. Optional mounting yoke frames available.

FINISH: Fixture housing and steel components are finished in baked white enamel applied over a five-stage pretreatment process.

LAMPS: Fixtures are provided for use with one T5 or T5HO lamp. (Supplied by Others)

CERTIFICATION: Luminaires are U.L. Listed, C.S.A. certified and are Union Made in the United States of America I.B.E.W.

TYPE

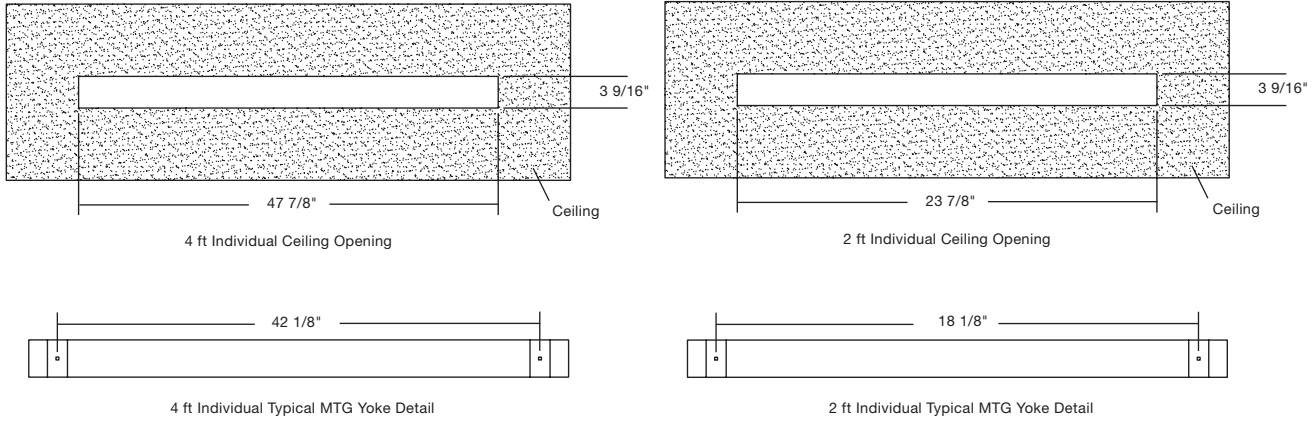
Ordering Guide

MODEL NO.	DIRECTION	NUMBER OF LAMPS	LAMPS	MOUNTING	ROW LENGTH	FINISH	VOLTAGE	OPTIONS
AP1999	D							
AP1999	D = Direct	1	T5 T5HO	F = Flanged	2 = 2 ft 4 = 4 ft For other, please enter row length (eg. 48 = 48 ft)	W = White CC = Custom Color	UNV = 120/277	DIM = Dimming Ballast EPC = Emergency Battery Pack EMC = Emergency Circuit YOK = Mounting Yoke Frame OTH = Other options available, see page 355

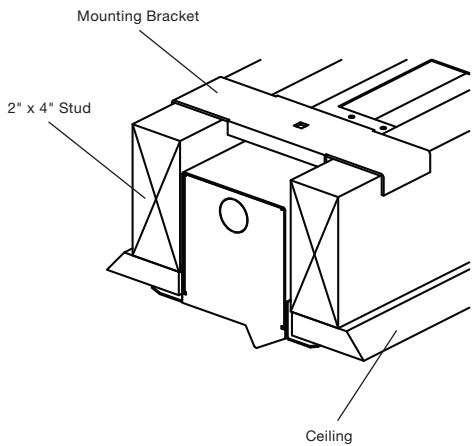
Example » AP1999 | D | 1T5 | F | 4 | W | UNV

AP1999 direct with one 28 watt T5 lamp flange mounted four foot fixture finished in baked white enamel universal voltage electronic less than 10% total harmonic distortion.

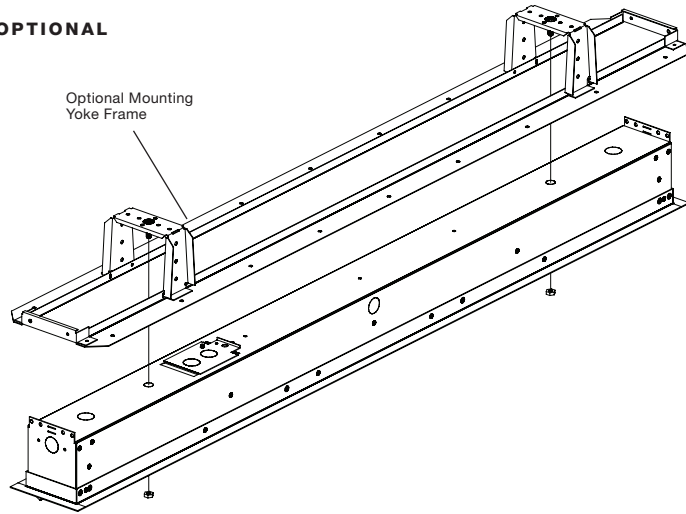
Linear Sections and Suspension Location



Installation Preparation



OPTIONAL



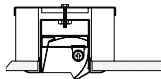
Photometry

COEFFICIENTS OF UTILIZATION-ZONAL CAVITY METHOD

pfc = 0.20

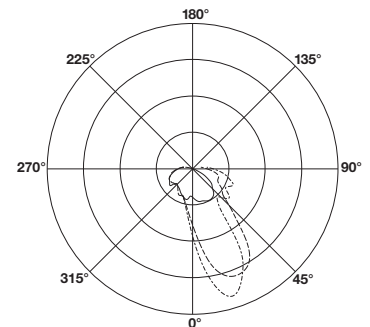
pcc	.8				.7				.5				.3				.1				0					
pw	.7	.5	.3	.1	.7	.5	.3	.1	.5	.3	.1	.5	.3	.1	.5	.3	.1	.5	.3	.1	.5	.3	.1	0		
RCR																										
0	64	64	64	64	63	63	63	63	60	60	60	58	58	58	55	55	55	54	55	55	55	54	55	55	55	54
1	58	55	52	49	56	53	51	49	51	49	47	49	47	46	44	44	44	43	44	44	44	43	44	44	44	43
2	52	46	42	38	50	45	41	38	43	40	37	41	39	36	34	34	34	34	34	34	34	34	34	34	34	34
3	46	40	35	31	45	39	34	30	37	33	30	36	32	29	28	28	28	27	28	28	28	27	28	28	28	27
4	42	35	29	25	41	34	29	25	32	28	24	31	27	24	23	23	23	22	23	23	23	22	23	23	23	22
5	38	30	25	21	37	30	25	21	28	24	20	27	23	20	19	19	19	19	19	19	19	19	19	19	19	19
6	35	27	22	18	34	26	21	18	25	21	17	24	20	17	16	16	16	16	16	16	16	16	16	16	16	16
7	32	24	19	15	31	24	19	15	23	18	15	22	18	15	14	14	14	14	14	14	14	14	14	14	14	14
8	30	22	17	13	29	21	16	13	20	16	13	20	16	13	12	12	12	12	12	12	12	12	12	12	12	12
9	28	20	15	12	27	19	15	12	19	14	11	18	14	11	10	10	10	10	10	10	10	10	10	10	10	10
10	26	18	13	10	25	18	13	10	17	13	10	17	13	10	9	9	9	9	9	9	9	9	9	9	9	9

Total Luminaire Optical Efficiency = 54.1%



CANDELA DISTRIBUTION

Vert. Angle	0	22.5	45	67.5	90
0	200	200	200	200	200
5	191	207	225	240	242
10	193	221	294	386	434
15	198	255	453	656	717
20	196	316	659	829	884
25	191	405	796	870	889
30	187	502	818	871	868
35	188	566	801	845	870
40	187	592	773	804	805
45	191	598	733	735	714
50	195	579	666	652	663
55	198	534	591	619	653
60	202	482	522	608	637
65	194	409	487	555	570
70	175	343	423	478	498
75	146	263	324	347	342
80	113	168	192	198	194
85	53.2	62.4	76.5	79.8	78.4
90	6.31	14.9	26.4	29.0	30.3



————— 0
 - - - - - 45
 - · - · - 90

Lamp (1) 54w T5HO

Lumens: 5000 Per Lamp

Optical Distribution:
100% Direct

Day-O-Lite reserves the right to change product specifications without notice for product improvement.