

Features

The 35S10 D series is a direct version of the family of oval steel luminaires. The 35S10 D is designed with direct distribution for suspended or surface mounting. This series can be mounted individually, in perfectly aligned continuous rows, or in any of combination of patterns. This series is available with a variety of down light shielding. The 35S10 D series is an ideal solution for smaller spaces with lower ceiling heights.

Specifications

HOUSING: Two piece die formed 20-gauge cold rolled steel welded construction forming a 3 1/2" x 10" oval profile. Finished end caps are laser cut 18-gauge cold rolled steel, with no exposed hardware or knockouts. Adjustable mounting brackets provide precision alignment of continuous rows.

REFLECTOR: Die formed 20-gauge cold rolled steel minimum 90% reflectivity finished in high gloss baked white enamel.

SHIELDING: Parabolic louver is semi-specular low iridescence aluminum 1 1/4" x 4" O.C. with 12 cells per 4" section. Four spring clips secure snap in baffle including two tethers.

ELECTRICAL: Ballast is electronic, universal voltage 120/277, high power factor, thermally protected, sound rated A with less than 10% total harmonic distortion. Luminaires in rows are pre-wired with quick connect through wiring. The minimum number of ballasts will be used unless otherwise specified.

BALLAST DISCONNECT: Luminaires are pre-wired with integrated locking disconnects.

MOUNTING: Standard installation is an adjustable self-locking aircraft cable assembly 48" x 3/32" in diameter with 5" canopy. One 16/4 SJT straight 54" cord is supplied with each power feed. Standard pendants are available in 24" lengths. See Mounting Options pages for additional mounting.

FINISH: Fixture housing and steel components are finished in baked white enamel applied over a five-stage pretreatment process.

LAMPS: Fixtures are provided for use with two or three T8, T5 or T5HO lamps. (Supplied by Others)

CERTIFICATION: Luminaires are U. L. Listed, C.S.A. certified and are Union Made in the United States of America. I.B.E.W.

TYPE

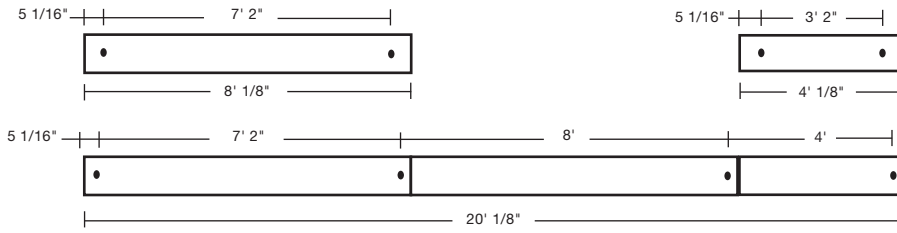
Ordering Guide

MODEL NO.	DIRECTION	SHIELDING	NUMBER OF LAMPS	LAMPS	MOUNTING	ROW LENGTH	FINISH	VOLTAGE	OPTIONS
35S10	D								
35S10	D = Direct	PBL = Parabolic Louver SCB = Steel Cross Baffle PRS = Prismatic Acrylic WOA = White Opal Acrylic	1 2 3	T8 T5 T5HO	AC = Cable PD = Pendant S = Surface Other mounting options available, see pgs. 357-359	4 = 4 ft 8 = 8 ft For other, please enter row length (eg. 48 = 48 ft)	W = White CC = Custom Color	UNV = 120/277	DIM = Dimming Ballast EPC = Emergency Battery Pack EMC = Emergency Circuit TCW = Two Circuit Wiring OTH = Other options available, see page 355

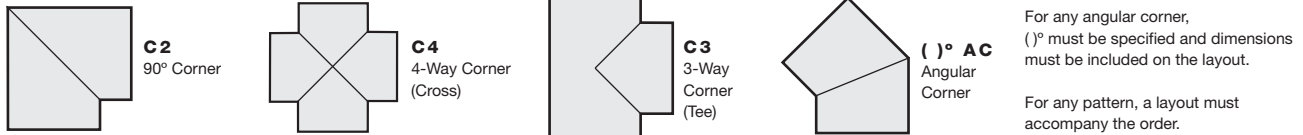
Example » 35S10 | D | PBL | 2T8 | AC | 4 | W | UNV

35S10 direct with parabolic louver for two 32 watt T8 lamps including two 48 inch aircraft cables and power feed four foot fixture finished in baked white universal voltage electronic ballast less than 10% total harmonic distortion.

Linear Sections and Suspension Location

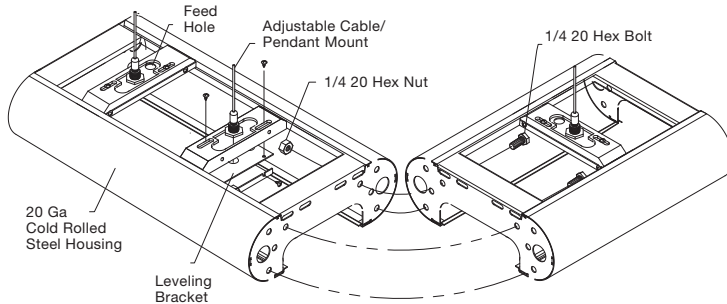


CORNERS Corners and fixture extensions are custom fabricated to precise dimensions. Please indicate the specific requirements on the layout.

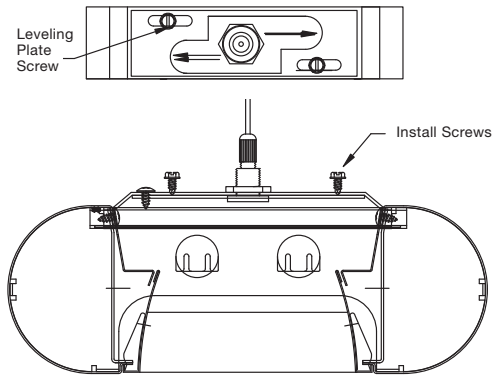


Installation Preparation

TYPICAL JOINT DETAIL
Joining hardware provided by Day-O-Lite



MOUNTING BAR INSTALLATION
Slide side-to-side until level and fasten screws securely



Photometry

COEFFICIENTS OF UTILIZATION-ZONAL CAVITY METHOD

pf_c = 0.20

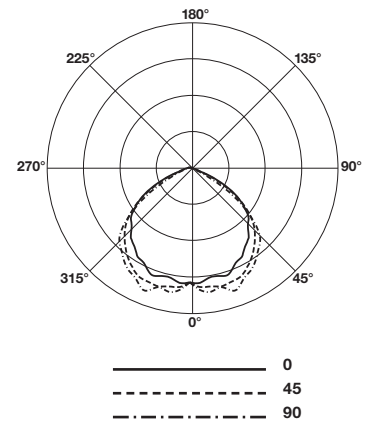
pcc	.8			.7			.5			.3			.1			0		
pw	.7	.5	.3	.1	.7	.5	.3	.1	.5	.3	.1	.5	.3	.1	.5	.3	.1	0
RCR																		
0	79	79	79	79	78	78	78	78	74	74	74	71	71	71	68	68	68	67
1	74	72	69	67	72	70	68	66	67	66	64	65	63	62	60	60	60	59
2	68	64	60	57	67	63	59	56	60	57	55	58	56	54	52	52	52	51
3	63	57	52	48	61	56	51	48	54	50	47	52	49	46	45	45	45	44
4	58	51	46	42	57	50	45	41	48	44	41	47	43	40	39	39	39	38
5	53	46	40	36	52	45	40	36	44	39	36	42	38	35	34	34	34	34
6	49	41	36	32	48	41	35	32	39	35	31	38	34	31	30	30	30	30
7	46	37	32	28	45	37	32	28	36	31	28	35	31	28	26	26	26	26
8	43	34	29	25	42	34	29	25	33	28	25	32	28	25	23	23	23	23
9	40	31	26	23	39	31	26	23	30	26	22	30	25	22	21	21	21	21
10	37	29	24	20	37	29	24	20	28	23	20	27	23	20	19	19	19	19

Total Luminaire Optical Efficiency = 66.6%



CANDELA DISTRIBUTION

Vert. Angle	0	22.5	45	67.5	90
0	1460	1460	1460	1460	1460
5	1471	1458	1500	1478	1466
10	1406	1439	1482	1509	1521
15	1384	1426	1507	1564	1588
20	1337	1409	1522	1592	1607
25	1301	1396	1508	1542	1557
30	1233	1347	1433	1468	1481
35	1150	1262	1343	1376	1390
40	1054	1178	1243	1281	1315
45	964	1070	1112	1182	1230
50	855	946	983	1017	1006
55	721	770	782	720	693
60	545	572	524	407	353
65	331	345	262	156	104
70	120	125	79.0	34.3	24.5
75	30.88	27.01	15.93	8.09	7.49
80	8.84	7.14	4.93	3.50	2.85
85	2.45	2.14	1.75	1.28	0.95
90	0.25	0.22	0.22	0.28	0.30



Lamp (2) 32w T8
Lumens: 2900 Per Lamp
Parabolic Louver

Optical Distribution:
100% Direct

Day-O-Lite reserves the right to change product specifications without notice for product improvement.