

Features

The Gemini Series is an architectural slim profile. The luminaires is designed for mounting in grid or drywall ceiling and can also be wall mounted. The series is available with an almost limitless variety of shieldings. The Gemini is an ideal solution for creating pathway in open spaces and provides maximum design versatility.

Specifications

HOUSING: Die formed 20-gauge cold rolled steel construction 4 1/2" wide and 6 3/8" high with an extruded aluminum flange trim. The joiner ends are notched below lamps for ease of installation and continuous appearance of the shielding.

REFLECTOR: Die formed 20-gauge cold rolled steel minimum 90% reflectivity finished in high gloss baked white enamel.

SHIELDING: Standard diffuser is P95 diffused acrylic lens.

ELECTRICAL: Ballast is electronic, universal voltage 120/277, high power factor, thermally protected, sound rated A with less than 10% total harmonic distortion. The minimum number of ballasts will be used unless otherwise specified.

BALLAST DISCONNECT: Luminaires are pre-wired with integrated locking disconnects.

MOUNTING: Standard installation is for dry wall ceiling. The luminaires can also be wall mounted. Grid mounting option is also available. Mounting yokes are provided with each fixture.

FINISH: Fixture housing and steel components are finished in a baked white enamel applied over a five-stage pretreatment process.

LAMPS: Fixtures are provided for use with one or two T8, T5 or T5HO lamp. (Supplied by Others).

CERTIFICATION: Luminaires are U.L. Listed, C.S.A. certified and are Union Made in the United States of America I.B.E.W.

TYPE

Ordering Guide

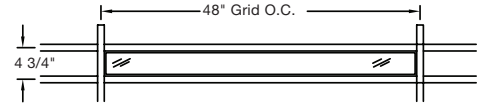
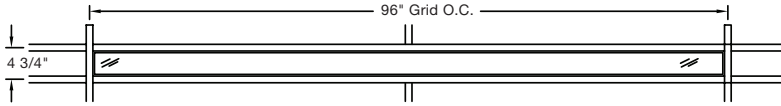
MODEL NO.	DIRECTION	SHIELDING	NUMBER OF LAMPS	LAMPS	MOUNTING	ROW LENGTH	FINISH	VOLTAGE	OPTIONS
GEM1919	D								
GEM1919	D = Direct	PRS = Prismatic Acrylic WOA = White Opal Acrylic P95 = Diffused Acrylic	1 2	T8 T5 T5HO	G = Grid F = Flanged MG = Miniature Grid Other mounting options available, see pgs. 357-359	2 = 2 ft 3 = 3 ft 4 = 4 ft 5 = 5 ft 6 = 6 ft 8 = 8 ft For other, please enter row length (eg. 48 = 48 ft)	W = White CC = Custom Color	UNV = 120/277	DIM = Dimming Ballast EPC = Emergency Battery Pack EMC = Emergency Circuit OTH = Other options available, see page 355

Example » **GEM1919 | D | WOA | 1T5HO | F | 4 | W | UNV**

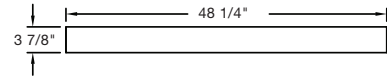
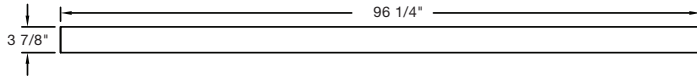
Gemini1919 direct with white opal acrylic lens for one 54 watt T5HO lamp, flange mounted four foot fixture in baked white universal voltage electronic ballast less than 10% harmonic distortion.

Linear Sections and Suspension Location

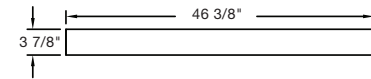
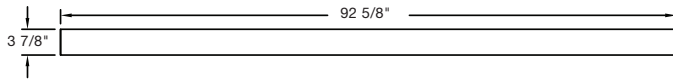
T5-T8-GRID OPENING FOR INDIVIDUAL FIXTURES



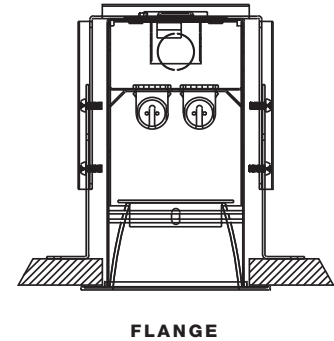
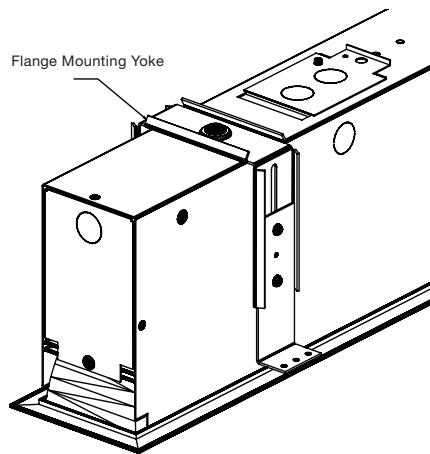
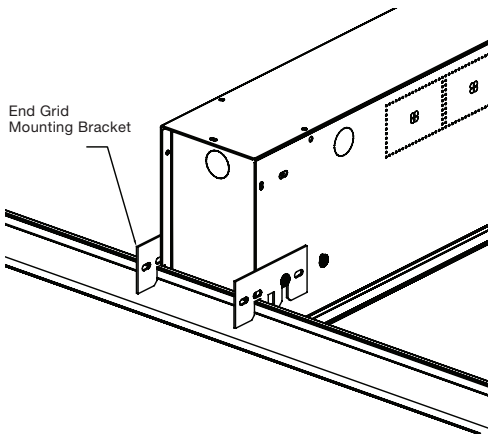
T8-FLANGE CEILING OPENING FOR INDIVIDUAL FIXTURES



T5-FLANGE CEILING OPENING FOR INDIVIDUAL FIXTURES



Installation Preparation



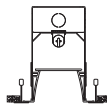
Photometry

COEFFICIENTS OF UTILIZATION-ZONAL CAVITY METHOD

pfc = 0.20

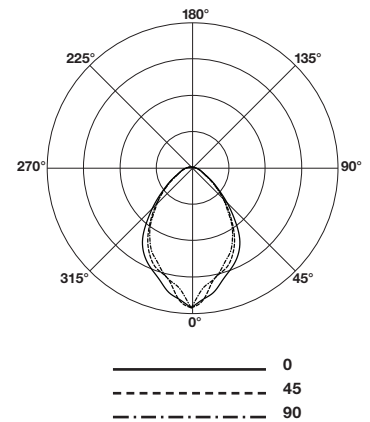
pcc	.8				.7				.5				.3				.1				0
	.7	.5	.3	.1	.7	.5	.3	.1	.5	.3	.1	.5	.3	.1	.5	.3	.1	.5	.3	.1	0
RCR																					
0	67	67	67	67	65	65	65	65	62	62	62	60	60	60	57	57	57	56			
1	62	60	58	56	60	58	56	55	56	54	53	54	53	51	50	50	50	49			
2	57	53	50	47	56	52	49	46	50	48	45	48	46	44	43	43	43	42			
3	53	48	44	40	51	47	43	40	45	42	39	44	41	39	37	37	37	37			
4	49	43	38	35	48	42	38	35	41	37	34	39	36	34	33	33	33	32			
5	45	39	34	31	44	38	34	31	37	33	30	36	33	30	29	29	29	29			
6	42	35	31	28	41	35	31	27	34	30	27	33	30	27	26	26	26	26			
7	39	32	28	25	38	32	28	25	31	27	25	30	27	24	23	23	23	23			
8	37	30	25	22	36	29	25	22	29	25	22	28	25	22	21	21	21	21			
9	35	28	23	20	34	27	23	20	27	23	20	26	23	20	19	19	19	19			
10	33	26	22	19	32	25	21	19	25	21	19	24	21	19	18	18	18	18			

Total Luminaire Optical Efficiency = 55.8%



CANDELA DISTRIBUTION

Vert. Angle	0	22.5	45	67.5	90
0	865	865	865	865	865
5	879	850	845	859	845
10	841	840	834	844	838
15	821	819	815	790	793
20	788	783	755	705	687
25	744	745	679	605	588
30	696	689	582	508	491
35	642	604	485	429	409
40	578	520	393	355	340
45	500	434	319	287	279
50	430	349	252	221	218
55	349	275	190	165	164
60	278	205	134	131	132
65	210	148	95	105	103
70	147	96.6	70.7	79.18	78.0
75	93.4	59.7	50.8	55.4	55.7
80	52.9	33.3	29.9	31.9	33.4
85	18.9	13.2	12.2	13.1	11.7
90	1.42	1.15	1.51	1.17	1.30



Lamp (1) 28T5

Lumens: 2900 Per Lamp

Optical Distribution:
100% Direct

Day-O-Lite reserves the right to change product specifications without notice for product improvement.