

TYPE _____

FEATURES

The AP 1 square steel architectural linear series is an aesthetically designed luminaire. The AP 1 series is a bi-directional wall mounted task lighting fixture distributing the light down and out for optimum performance. The simplicity of the AP 1 series is the solution for task areas while providing maximum design versatility to meet the perceived source of illumination for a specific environment.

SPECIFICATIONS

Housing: One piece die formed 20-gauge cold rolled steel welded construction forming a 6" x 5" square profile. Finished end caps are laser cut 18-gauge cold rolled steel, with no exposed hardware or knockouts. Intermediate end caps are provided for precision alignment of continuous rows.

Reflector: The rear-curved reflector is .025 specular anodized aluminum.

Electrical: Ballast is electronic, high power factor, thermally protected class P, sound rated A, with less than 20% total harmonic distortion. The minimum number of ballasts will be used unless otherwise specified.

Mounting: Standard mounting is surface mounted. See Accessories for additional mounting.

Finish: Fixture housing and steel components are finished in baked white enamel applied over a five-stage pretreatment process.

Lamps: Fixtures are provided for use with one or two 32 watt T8 lamps or 54 watt T5 HO lamps. (Supplied by Others)

Certification: Luminaires are U. L. Listed, C. S. A. certified and are Union Made in the United States of America. I.B.E.W.

ORDERING GUIDE

| MODEL NO. | DIRECTION | LAMPS | MOUNTING | LENGTH | FINISH | VOLTAGE | OPTIONS |
|-------------|-----------|--|--|--|--|----------------------------|--------------------------|
| AP 1 | D | 132 T8 232 T8 154T5 HO 254T5 HO | S = Surface Mounted AC = Cable PD = Pendant | 4 = ft 8 = ft | W = White CC = Custom Color | 120v 277v | See Options Below |
| | | O =Other Specify | See Accessories | for other, please enter row length (eg. 48=48ft) | | | |

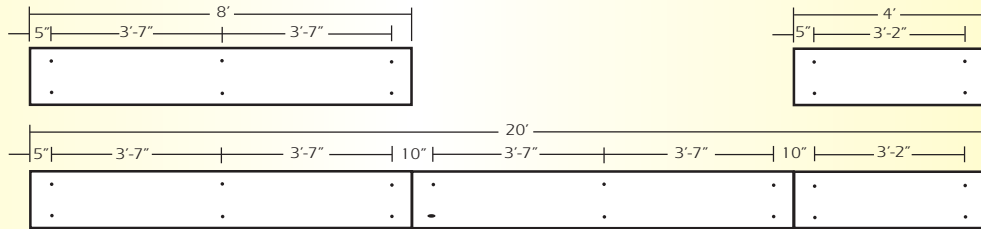
Example: **AP 1 D 232T8-S-4-W-120V**
AP 1 direct luminaire for two 32 watt T8 lamps surface mounted four foot fixture finished in baked white enamel 120v electronic ballast less than 20% total harmonic distortion.

OPTIONS

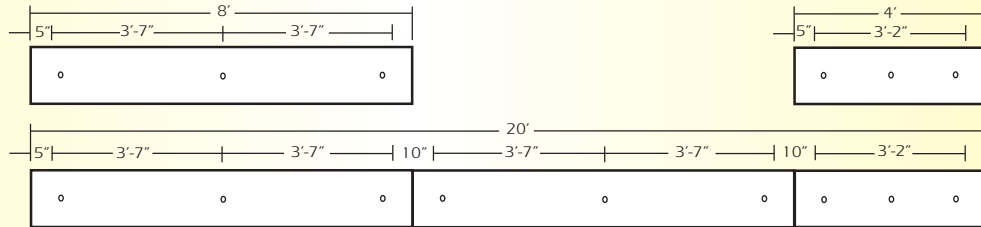
- E10=** Electronic ballast, high power factor, thermally protected class P, sound rated A, < 10% total harmonic distortion
- DIM=** Dimming Ballast
- EPC=** Emergency Battery Pack
- EMC=** Emergency Circuit
- TCW=** Two Circuit Wiring
- TDW=** Tandem Wiring
- OTH=** See Accessories for other options available

LINEAR SECTIONS AND SUSPENSION LOCATION

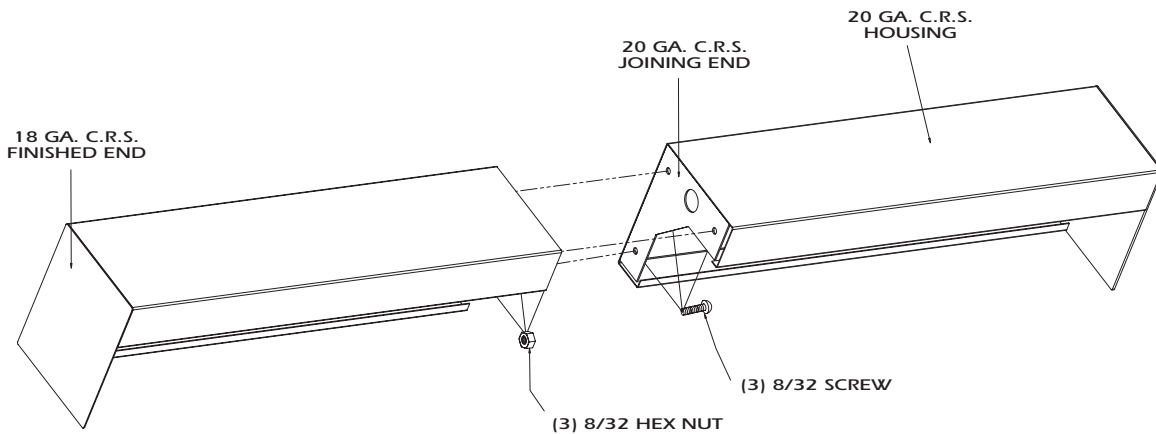
SURFACE MOUNTING



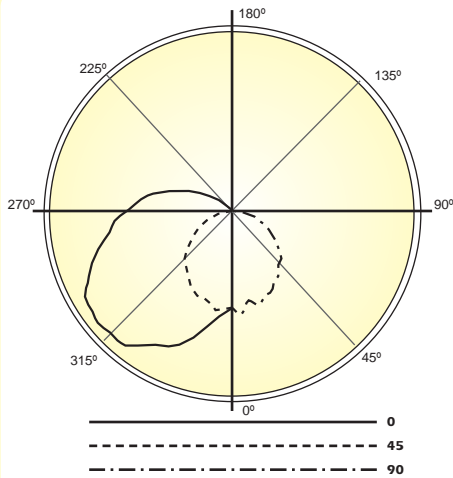
SUSPENSION MOUNTING



INSTALLATION PREPARATION



PHOTOMETRY



LAMP (2) 32W T8
LUMENS: 2900 PER LAMP

Candela Distribution:

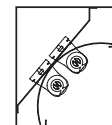
| Vert. Angle | 225 | 247.5 | 270 | 292.5 | 315 |
|-------------|------|-------|------|-------|------|
| 0 | 898 | 898 | 898 | 898 | 898 |
| 5 | 1027 | 923 | 965 | 915 | 992 |
| 10 | 1078 | 1056 | 1059 | 1164 | 1049 |
| 15 | 1173 | 1157 | 1184 | 1217 | 1157 |
| 20 | 1166 | 1288 | 1325 | 1260 | 1140 |
| 25 | 1238 | 1397 | 1412 | 1386 | 1244 |
| 30 | 1263 | 1444 | 1462 | 1443 | 1304 |
| 35 | 1362 | 1543 | 1553 | 1522 | 1341 |
| 40 | 1401 | 1550 | 1637 | 1539 | 1380 |
| 45 | 1393 | 1535 | 1637 | 1571 | 1360 |
| 50 | 1317 | 1511 | 1658 | 1557 | 1366 |
| 55 | 1290 | 1546 | 1632 | 1522 | 1316 |
| 60 | 1276 | 1562 | 1611 | 1567 | 1282 |
| 65 | 1179 | 1440 | 1499 | 1432 | 1219 |
| 70 | 1124 | 1332 | 1414 | 1327 | 1107 |
| 75 | 1036 | 1237 | 1296 | 1246 | 1018 |
| 80 | 898 | 1115 | 1182 | 1112 | 896 |
| 85 | 782 | 1007 | 1121 | 1051 | 766 |
| 90 | 679 | 909 | 998 | 885 | 667 |

Optical Distribution:
Direct/Indirect

Coefficients of Utilization - Zonal Cavity Method:

pfc = 0.20

| | .8 | .7 | .5 | .3 | .1 | 0 | | | | | | | | | | | | | |
|-----|----|----|----|----|----|----|----|----|----|----|----|----|----|----|----|----|----|----|----|
| pcc | .7 | .5 | .3 | .1 | .5 | .3 | .1 | .5 | .3 | .1 | 0 | | | | | | | | |
| RCR | 0 | 87 | 87 | 87 | 87 | 84 | 84 | 84 | 84 | 78 | 78 | 78 | 73 | 73 | 73 | 67 | 67 | 67 | 65 |
| 1 | 77 | 72 | 68 | 64 | 73 | 69 | 65 | 62 | 64 | 61 | 58 | 59 | 56 | 54 | 55 | 53 | 51 | 48 | 48 |
| 2 | 69 | 61 | 55 | 49 | 65 | 59 | 53 | 48 | 54 | 49 | 45 | 50 | 46 | 43 | 46 | 43 | 40 | 38 | 38 |
| 3 | 62 | 53 | 45 | 40 | 59 | 50 | 44 | 39 | 47 | 41 | 37 | 43 | 38 | 35 | 40 | 36 | 33 | 30 | 30 |
| 4 | 56 | 46 | 38 | 33 | 53 | 44 | 37 | 32 | 41 | 35 | 30 | 38 | 33 | 29 | 35 | 31 | 27 | 25 | 25 |
| 5 | 51 | 41 | 33 | 28 | 49 | 39 | 32 | 27 | 36 | 30 | 26 | 34 | 28 | 24 | 31 | 27 | 23 | 21 | 21 |
| 6 | 47 | 36 | 29 | 24 | 45 | 35 | 28 | 23 | 32 | 27 | 22 | 30 | 25 | 21 | 28 | 24 | 20 | 18 | 18 |
| 7 | 44 | 33 | 26 | 21 | 42 | 31 | 25 | 20 | 29 | 23 | 19 | 27 | 22 | 18 | 25 | 21 | 18 | 16 | 16 |
| 8 | 40 | 30 | 23 | 18 | 39 | 29 | 22 | 18 | 27 | 21 | 17 | 25 | 20 | 16 | 23 | 19 | 16 | 14 | 14 |
| 9 | 38 | 27 | 20 | 16 | 36 | 26 | 20 | 16 | 24 | 19 | 15 | 23 | 18 | 14 | 21 | 17 | 14 | 12 | 12 |
| 10 | 35 | 25 | 19 | 14 | 34 | 24 | 18 | 14 | 22 | 17 | 14 | 21 | 16 | 13 | 20 | 16 | 12 | 11 | 11 |



Total Luminaire Optical Efficiency = 75.6%