

## Features

The NAS-PIW is one variation of a complete group of Recessed Direct luminaires featuring a centered metal perforated lamp shield with an acrylic overlay to obscure direct lamp image. The centered perforated lamp shield is positioned above the ceiling plane. Lamp output is distributed over a computer designed reflector system to provide soft glare-free illumination. The NAS-PIW series can be used in any installation where high performance and comfortable lighting are required.

## Specifications

**HOUSING:** Die formed 20-gauge cold rolled steel finished in baked white enamel. Housing has an access plate on top with two 7/8" diameter knockouts.

**SHIELDING:** Die formed 20 gauge perforated steel lamp shield has a 58% opening with white acrylic .020 translucent overlay. The hinged lamp shield is removable for easy lamp access.

**REFLECTOR:** Die formed .020 steel 90% minimum reflectivity finished in low glare matte baked white enamel.

**ELECTRICAL:** Ballast is electronic, universal voltage 120/277, high power factor, thermally protected, sound rated A with less than 10% total harmonic distortion. The minimum number of ballasts will be used unless otherwise specified.

**BALLAST DISCONNECT:** Luminaires are pre-wired with integrated locking disconnects.

**MOUNTING:** Standard installation is 2 x 2 exposed inverted T-bar ceiling. Optional trims are also available for installations in miniature grid, drywall or plaster ceiling. For mounting detail information consult factory. Four support brackets are included with each fixture.

**FINISH:** Fixture housing and steel components are finished in baked white enamel applied over a five-stage pretreatment process.

**LAMPS:** Fixtures are provided for use with T8, T5, T5HO, or compact fluorescent lamps. (Supplied by Others)

**CERTIFICATION:** Luminaires are U.L. Listed, C.S.A. certified and are Union Made in the United States of America I.B.E.W.

TYPE

## Ordering Guide

MODEL NO.	NUMBER OF LAMPS	LAMPS	SIZE	MOUNTING	FINISH	VOLTAGE	OPTIONS
<b>NAS-PIW</b>			<b>22</b>				
NAS-PIW	1 2 3	40CF 50CF T8 T5 T5HO	22 = 2 x 2	G = Standard Lay-in Grid MG = Miniature Grid F = Flanged	W = White CC = Custom Color	UNV = 120/277	DIM = Dimming Ballast EPC = Emergency Battery Pack EMC = Emergency Circuit TCW = Two Circuit Wiring ARS = Air return system FWH = Flexible wiring harness OTH = Other options available, see page 355

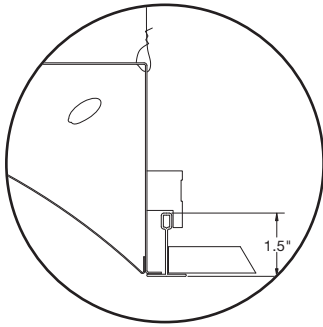
**Example »**    **NAS-PIW** | **240CF** | **22** | **G** | **W** | **UNV**

New Age Series with perforated lamp shield two 40 watt compact fluorescent 2 x 2 grid fixture finished in baked white enamel universal voltage electronic ballast less than 10% harmonics.



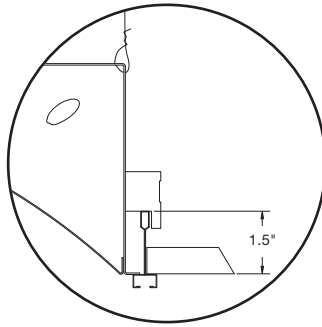
## Linear Sections and Suspension Location

**MOUNTING "G"**



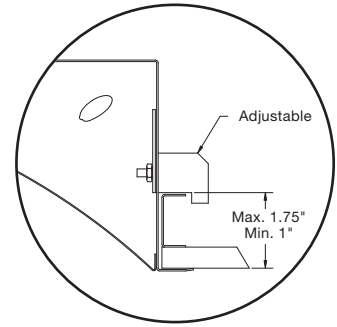
Std. 1 1/2" Inverted "T" Bar

**MOUNTING "MG"**



1 1/2" Miniature Grid Ceiling

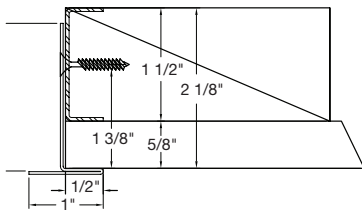
**MOUNTING "F"**



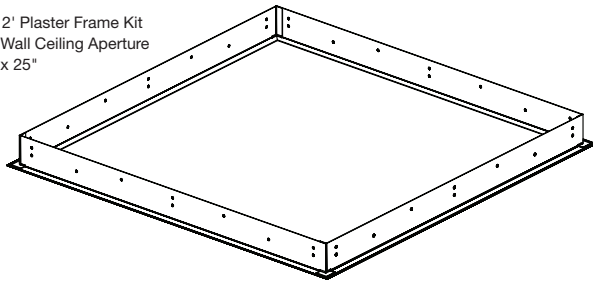
Plaster Or Dry Wall Ceiling  
(Optional)

## Installation Preparation

Plaster Frame Detail (All 4 Sides)

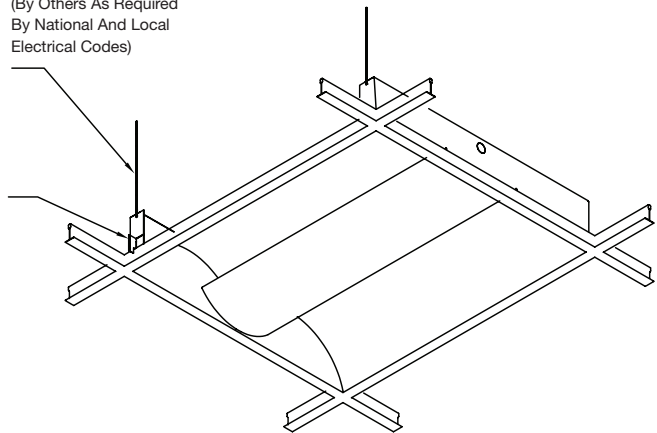


2' x 2' Plaster Frame Kit  
Dry Wall Ceiling Aperture  
25" x 25"



Wire Ties Or Chains  
(By Others As Required  
By National And Local  
Electrical Codes)

Housing Alignment  
Mounting Brackets  
(See Mounting "G")



## Photometry

### COEFFICIENTS OF UTILIZATION - ZONAL CAVITY METHOD

pfc = 0.20

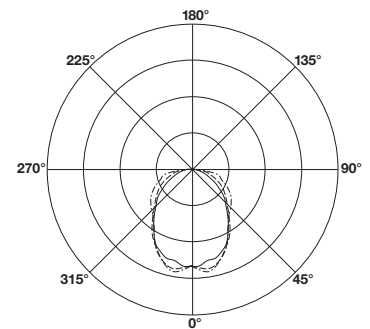
pcc	.8				.7				.5				.3				.1				0														
pw	.7	.5	.3	.1	.7	.5	.3	.1	.5	.3	.1	.5	.3	.1	.5	.3	.1	.5	.3	.1	.5	.3	.1	.5	.3	.1	.5	.3	.1	.5	.3	.1	.5	.3	.1
<b>RCR</b>																																			
<b>0</b>	84	84	84	84	82	82	82	82	78	78	78	75	75	75	72	72	72	71	71	71	71	71	71	71	71	71	71	71	71	71	71	71	71	71	71
<b>1</b>	77	73	70	67	75	71	69	66	68	66	64	66	64	62	63	62	60	59	59	59	59	59	59	59	59	59	59	59	59	59	59	59	59	59	59
<b>2</b>	70	64	59	55	68	62	58	54	60	56	53	57	54	51	55	53	50	49	49	49	49	49	49	49	49	49	49	49	49	49	49	49	49	49	49
<b>3</b>	63	56	50	45	62	55	49	45	53	48	44	51	47	43	49	46	43	41	41	41	41	41	41	41	41	41	41	41	41	41	41	41	41	41	41
<b>4</b>	58	50	43	39	57	49	43	38	47	42	38	45	41	37	44	40	37	35	35	35	35	35	35	35	35	35	35	35	35	35	35	35	35	35	35
<b>5</b>	54	44	38	33	52	44	38	33	42	37	33	41	36	32	39	35	32	31	31	31	31	31	31	31	31	31	31	31	31	31	31	31	31	31	31
<b>6</b>	50	40	34	29	48	39	33	29	38	33	29	37	32	29	36	32	28	27	27	27	27	27	27	27	27	27	27	27	27	27	27	27	27	27	27
<b>7</b>	46	36	30	26	45	36	30	26	35	29	26	34	29	25	33	29	25	24	24	24	24	24	24	24	24	24	24	24	24	24	24	24	24	24	24
<b>8</b>	43	33	27	23	42	33	27	23	32	27	23	31	26	23	30	26	23	21	21	21	21	21	21	21	21	21	21	21	21	21	21	21	21	21	21
<b>9</b>	40	31	25	21	39	30	25	21	29	24	21	29	24	21	28	24	21	19	19	19	19	19	19	19	19	19	19	19	19	19	19	19	19	19	19
<b>10</b>	38	28	23	19	37	28	23	19	27	22	19	27	22	19	26	22	19	18	18	18	18	18	18	18	18	18	18	18	18	18	18	18	18	18	18

Total Luminaire Optical  
Efficiency = 71.2%



### CANDELA DISTRIBUTION

Vert. Angle	0	22.5	45	67.5	90
<b>0</b>	1711	1711	1711	1711	1711
<b>5</b>	1715	1711	1749	1789	1789
<b>10</b>	1642	1689	1784	1815	1837
<b>15</b>	1634	1677	1736	1751	1755
<b>20</b>	1559	1629	1625	1613	1633
<b>25</b>	1469	1509	1487	1513	1494
<b>30</b>	1311	1361	1362	1333	1296
<b>35</b>	1150	1213	1200	1151	1147
<b>40</b>	997	1068	1037	1023	1045
<b>45</b>	867	923	911	959	993
<b>50</b>	764	791	813	898	927
<b>55</b>	621	653	724	832	868
<b>60</b>	502	536	638	744	782
<b>65</b>	376	421	538	652	689
<b>70</b>	289	316	435	550	587
<b>75</b>	204	235	338	471	532
<b>80</b>	133	163	257	385	430
<b>85</b>	70.0	77.6	96.5	107	110
<b>90</b>	11.8	10.4	7.86	7.17	7.81



Lamp (2) 40w C.F

Lumens: 3150 Per Lamp

Optical Distribution:  
100% Direct

Day-O-Lite reserves the right to change product specifications without notice for product improvement.