

Features

NAS-1789 is one of the newest products within the New Age series. NAS-1789's contemporary style and modern look is the ideal luminaire for office, industrial and healthcare applications. The NAS-1789 features two perforated metal lamp shields with an acrylic overlay. NAS-1789 provides high performance lighting while also providing high efficiency. NAS-1789 is available in 2' x 2' and 2' x 4'.

Specifications

HOUSING: Die formed 20-gauge cold rolled steel housing. Housing has an access plate on top with two 7/8" diameter knockouts.

SHIELDING: Die formed 20 gauge perforated lamp shields have a 58% opening with white acrylic .020 translucent overlay, providing high transmission while obscuring lamp image. The lamp shields are removable for easy lamp access.

REFLECTOR: Die formed steel, minimum 90% reflectivity finished in low glare matte baked white enamel.

ELECTRICAL: Ballast is electronic, low-profile, universal voltage 120/277, high power factor, thermally protected, sound rated A with less than 10% total harmonic distortion. The minimum number of ballasts will be used unless otherwise specified. Please consult factory for lamp/ballast availability.

BALLAST DISCONNECT: Luminaires are pre-wired with integrated locking disconnects.

MOUNTING: Standard installation is in an exposed inverted T-bar ceiling. Fixtures are supplied with four support brackets for additional support to T-bar. See Mounting Options pages for additional mounting.

FINISH: Fixture housing and steel components are finished in baked white enamel applied over a five-stage pretreatment process.

LAMPS: Fixtures are provided for use with T5, T5HO or compact fluorescent lamps. (Supplied by Others)

CERTIFICATION: Luminaires are U.L. Listed, C.S.A. certified and are Union Made in the United States of America. I.B.E.W.

TYPE

Ordering Guide

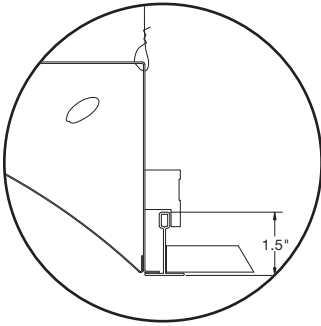
MODEL NO.	NUMBER OF LAMPS	LAMPS	SIZE	MOUNTING	FINISH	VOLTAGE	OPTIONS
NAS-1789							
NAS-1789	2	T5 T5HO 40CF 50CF	22 = 2 x 2 24 = 2 x 4	G = Standard Lay-in Grid MG = Miniature Grid F = Flanged	W = White CC = Custom Color	UNV = 120/277	DIM = Dimming Ballast EPC = Emergency Battery Pack EMC = Emergency Circuit TCW = Two Circuit Wiring ARS = Air Return System FWH = Flexible Wiring Harness OTH = Other options available, see page 355

Example » NAS-1789 | 240CF | 22 | G | W | UNV

New Age Series with perforated lamp shields, two 40 watt compact fluorescent lamps, 2 x 2 fixture grid mounted, finished in baked white enamel, universal voltage electronic ballast less than 10% total harmonic distortion.

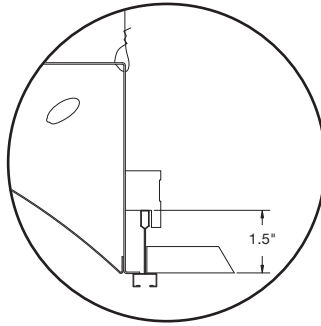
Linear Sections and Suspension Location

MOUNTING "G"



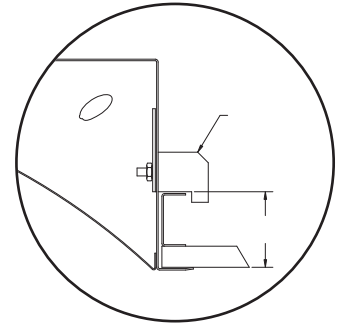
Std. 1 1/2" Inverted "T" Bar

MOUNTING "MG"



1 1/2" Miniature Grid Ceiling

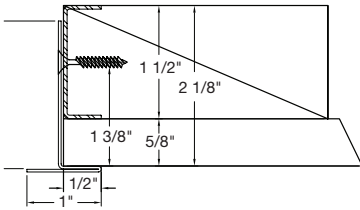
MOUNTING "F"



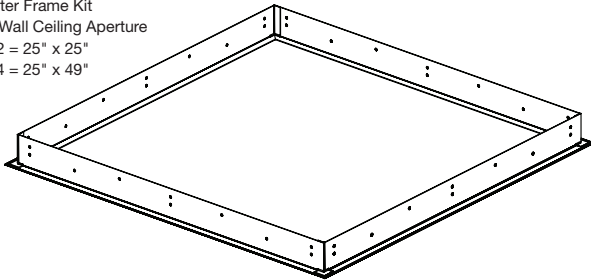
Plaster Or Dry Wall Ceiling
(Optional)

Installation Preparation

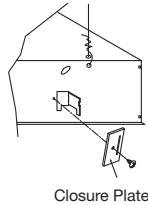
Plaster Frame Detail (All 4 Sides)



Plaster Frame Kit
Dry Wall Ceiling Aperture
2 x 2 = 25" x 25"
2 x 4 = 25" x 49"



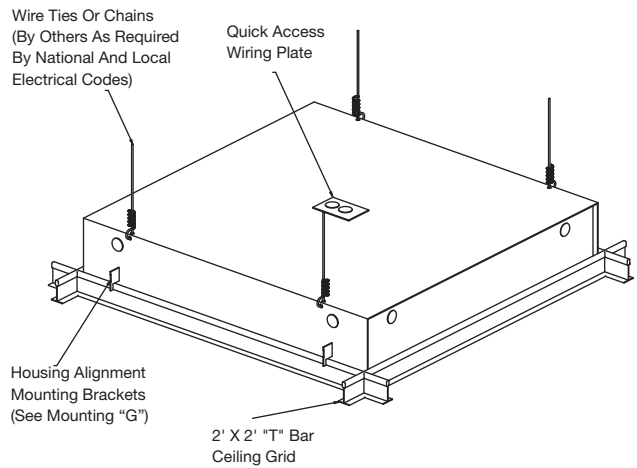
Side Elevation Detail
(See Mounting "G")



Closure Plate

Wire Ties Or Chains
(By Others As Required
By National And Local
Electrical Codes)

Quick Access
Wiring Plate



Housing Alignment
Mounting Brackets
(See Mounting "G")

2' X 2' "T" Bar
Ceiling Grid

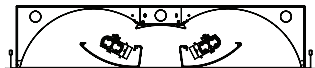
Photometry

COEFFICIENTS OF UTILIZATION-ZONAL CAVITY METHOD

pfc = 0.20

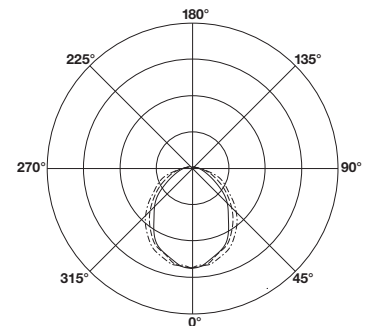
pcc pw	.8				.7				.5				.3				.1				0																			
	.7	.5	.3	.1	.7	.5	.3	.1	.5	.3	.1	.5	.3	.1	.5	.3	.1	.5	.3	.1	.5	.3	.1	.5	.3	.1	.5	.3	.1	.5	.3	.1								
RCR																																								
0	71	71	71	71	69	69	69	69	66	66	66	66	63	63	63	63	61	61	61	61	59	59	59	59																
1	65	62	60	58	63	61	59	57	58	57	55	55	56	55	53	53	54	53	52	51																				
2	59	55	51	48	58	54	50	47	51	48	46	45	50	47	45	45	48	46	44	43																				
3	54	48	44	40	53	47	43	40	46	42	39	38	44	41	38	38	42	40	38	36																				
4	50	43	38	34	48	42	37	34	41	37	33	33	39	36	33	33	38	35	32	31																				
5	46	39	33	29	45	38	33	29	37	32	29	29	35	32	29	29	34	31	28	27																				
6	42	35	30	26	41	34	29	26	33	29	26	26	32	28	25	25	31	28	25	24																				
7	39	32	26	23	38	31	26	23	30	26	23	23	29	25	22	22	29	25	22	21																				
8	37	29	24	20	36	28	24	20	28	23	20	20	27	23	20	20	26	23	20	19																				
9	34	27	22	18	34	26	22	18	25	21	18	18	25	21	18	18	24	21	18	17																				
10	32	24	20	17	31	24	20	17	24	19	17	17	23	19	17	17	23	19	17	15																				

Total Luminaire Optical
Efficiency = 59.7%



CANDELA DISTRIBUTION

Vert. Angle	0	22.5	45	67.5	90
0	1572	1572	1572	1572	1572
5	1555	1545	1551	1547	1531
10	1489	1493	1524	1527	1545
15	1425	1425	1438	1484	1500
20	1367	1361	1379	1416	1448
25	1286	1279	1324	1355	1395
30	1153	1167	1223	1278	1305
35	1004	1039	1115	1171	1206
40	889	904	1004	1065	1105
45	785	792	879	946	983
50	661	664	754	827	856
55	508	554	638	702	721
60	382	438	524	591	624
65	281	321	411	503	536
70	207	223	321	404	430
75	148	139	216	251	253
80	94.0	70.5	94.3	101	95.8
85	43.5	26.7	31.4	35.9	35.2
90	7.36	5.50	6.68	7.22	8.07



— 0
- - - 45
- - - 90

Lamp (2) 40w C.F.

Lumens: 3150 Per Lamp

Optical Distribution:
100% Direct

Day-O-Lite reserves the right to change product specifications without notice for product improvement.