

Other shielding perforation options available, see page 360

Features

The G5-DI presents a unique ultra shallow sculptured profile. It is one variation of a complete family of suspended linear fluorescent luminaires. The G5-DI is a direct/indirect version and provides exceptional performance. The computer designed optical system creates widespread indirect distribution while a variety of direct components provide contrast. The low profile and modern design provide excellent efficiency and styling where high performance and uniform lighting are required.

Specifications

HOUSING: One piece die formed 20-gauge cold rolled steel welded construction forming a 6" x 2 1/2" 'V' shape profile. Continuous perforated sections with white acrylic .020 translucent overlay. Finished end caps are laser cut 16-gauge cold rolled steel, with no exposed hardware or knockouts.

REFLECTOR: Die formed 20-gauge cold rolled steel minimum 90% reflectivity finished in high gloss baked white enamel with die formed side reflectors.

ELECTRICAL: Ballast is electronic, universal voltage 120/277, high power factor, thermally protected, sound rated A with less than 10% total harmonic distortion. Luminaires in rows are pre-wired with quick connect through wiring. The minimum number of ballasts will be used unless otherwise specified.

BALLAST DISCONNECT: Luminaires are pre-wired with integrated locking disconnects.

MOUNTING: Standard Installation is an adjustable self-locking aircraft cable assembly 48" x 3/32" in diameter with 5" canopy. One 16/4 SJT straight 54" cord is supplied with each power feed. Standard pendants are available in 24" lengths. See Mounting Options pages for additional mounting.

FINISH: Fixture housing and steel components are finished in baked white enamel applied over a five-stage pretreatment process.

LAMPS: Fixtures are provided for use with one or two T5 or T5HO lamps. (Supplied by Others)

CERTIFICATION: Luminaires are U.L. Listed, C.S.A. certified and are Union Made in the United States of America I.B.E.W.

TYPE

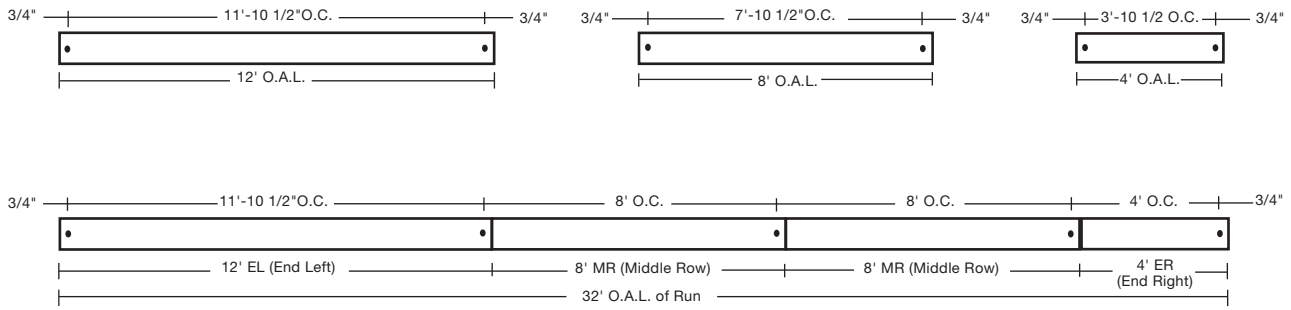
Ordering Guide

MODEL NO.	DIRECTION	SHIELDING	NUMBER OF LAMPS	LAMPS	MOUNTING	ROW LENGTH	FINISH	VOLTAGE	OPTIONS
G5	DI	3							
G5	DI = Direct/ Indirect	3 = Perforated Continuous (shown) Other shielding options avail- able, see page 360	1 2	T5 T5HO	AC = Cable PD = Pendant Other mount- ing options available, see pgs. 357-359	4 = 4 ft 8 = 8 ft 12 = 12 ft For other, please enter row length (eg. 48 = 48 ft)	W = White CC = Custom Color	UNV = 120/277	DIM = Dimming Ballast EPC = Emergency Battery Pack EMC = Emergency Circuit TCW = Two Circuit Wiring SPEC = Specular Side Reflectors OTH = Other options available, see page 355

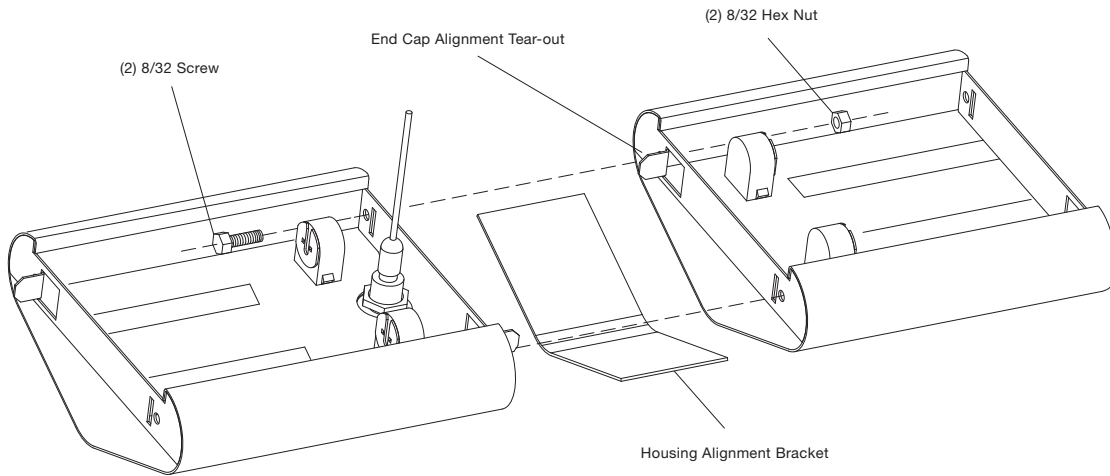
Example » G5 | DI | 3 | 2T5HO | AC | 4 | W | UNV

Generation Five with perforated continuous pattern with opal overlay for two 54 watt T5HO lamps with two 48 inch aircraft cables and power feed four foot fixture finished in baked white enamel with universal voltage electronic ballast less than 10% total harmonic distortion.

Linear Sections and Suspension Location



Installation Preparation



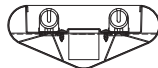
Photometry

COEFFICIENTS OF UTILIZATION-ZONAL CAVITY METHOD

pfc = 0.20

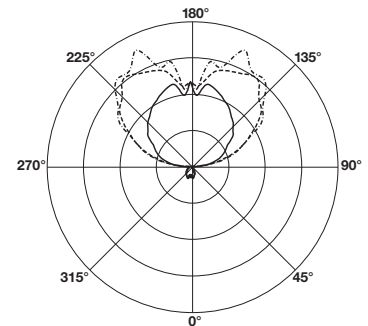
pcc	.8				.7				.5				.3				.1				0	
pw	.7	.5	.3	.1	.7	.5	.3	.1	.5	.3	.1	.5	.3	.1	.5	.3	.1	.5	.3	.1	0	
RCR																						
0	83	83	83	83	72	72	72	72	50	50	50	30	30	30	12	12	12	4				
1	76	72	69	66	65	62	60	58	44	42	41	27	26	25	10	10	10	3				
2	69	63	58	54	59	55	51	47	38	36	34	23	22	21	9	9	9	3				
3	63	55	50	45	54	48	43	40	34	31	28	21	19	18	7	7	7	3				
4	57	49	43	38	49	42	37	33	30	27	24	18	17	15	6	6	6	2				
5	53	43	37	32	45	38	32	28	27	23	21	16	15	13	5	5	5	2				
6	48	39	32	28	41	34	28	24	24	20	18	15	13	11	5	5	5	2				
7	44	35	28	24	38	30	25	21	21	18	15	13	11	10	4	4	4	2				
8	41	31	25	21	35	27	22	18	19	16	13	12	10	9	4	4	4	2				
9	38	28	22	18	33	25	20	16	18	14	12	11	9	8	3	3	3	1				
10	35	26	20	16	30	22	17	14	16	13	10	10	8	7	3	3	3	1				

Total Luminaire Optical Efficiency = 86.2%



CANDELA DISTRIBUTION

Vert. Angle	0	22.5	45	67.5	90
0	224	224	224	224	224
5	149	202	163	235	205
15	234	206	217	201	208
25	191	171	183	192	207
35	152	153	134	89	80
45	108	100	63	39	33
55	66	52	32	29	27
65	10	18	17	22	26
75	5	5	7	13	18
85	1	2	2	3	4
95	292	278	277	261	236
105	597	793	814	891	868
115	797	1228	1301	1364	1302
125	1063	1556	1757	1801	1830
135	1243	1792	1994	2182	2201
145	1405	1802	2235	2315	2288
155	1543	1790	2103	2371	2582
165	1672	1728	1981	2022	2088
175	1437	1752	1626	1718	1582
180	1715	1715	1715	1715	1715



— 0
- - - 45
- · - · - 90

Lamp (2) 54w T5HO
Lumens: 5000 Per Lamp

Optical Distribution:
6% Direct: 94% Indirect

Day-O-Lite reserves the right to change product specifications without notice for product improvement.