

Features

The JAZ-FEP-DI is a family of direct/indirect fluorescent luminaires with architectural styling and accents for contemporary design. The Jazz series offers a variety of high quality pendant and wall mounted luminaires combining aluminum extrusion and perforated steel. The computer designed reflector system creates high performance and efficient wide glare free indirect distribution. The Jazz versatility provides the innovative solution in design illumination..

Specifications

HOUSING: One piece die formed 20-gauge cold rolled steel welded construction forming a 13" x 3 1/2" rounded profile. Continuous perforated sections are 1/16" diameter x 3/32" staggered centers with white .020 translucent overlay. Finished end caps are laser cut 18-gauge cold rolled steel, with no exposed hardware or knockouts.

REFLECTOR: Die formed 20 gauge cold rolled steel minimum 90% reflectivity finished in high gloss baked white enamel. Die formed specular reflector is also available.

ELECTRICAL: Ballast is electronic, universal voltage 120/277, high power factor, thermally protected, sound rated A with less than 10% total harmonic distortion. Luminaires in rows are pre-wired with quick connect through wiring. The minimum number of ballasts will be used unless otherwise specified.

BALLAST DISCONNECT: Luminaires are pre-wired with integrated locking disconnects.

MOUNTING: Standard Installation is an adjustable self-locking aircraft cable assembly 48" x 3/32" in diameter with 5" canopy. One 16/4 SJT straight 54" cord is supplied with each power feed. Standard pendants are available in 24" lengths. See Mounting Options pages for additional mounting.

FINISH: Fixture housing and steel components are finished in baked white enamel applied over a five-stage pretreatment process.

LAMPS: Fixtures are provided for use with two or three T8, T5, T5HO lamps. (Supplied by Others)

CERTIFICATION: Luminaires are U.L. Listed, C.S.A. certified and are Union Made in the United States of America I.B.E.W.

TYPE

Ordering Guide

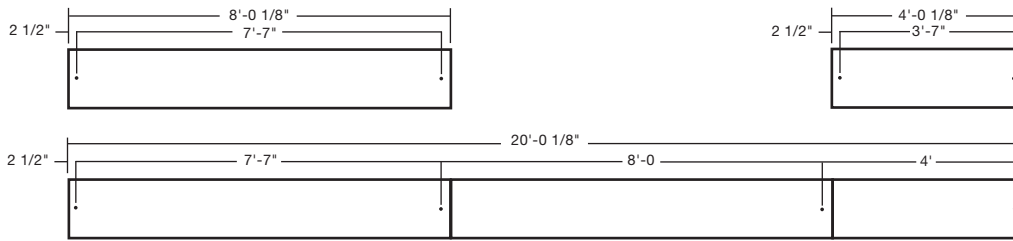
MODEL NO.	DIRECTION	NUMBER OF LAMPS	LAMPS	MOUNTING	ROW LENGTH	FINISH	VOLTAGE	OPTIONS
JAZ-FEP	DI							
JAZ-FEP	DI = Direct/ Indirect	2 3	T8 T5 T5HO	AC = Cable PD = Pendant Other mounting options available, see pgs. 357-359	2 = 2 ft 3 = 3 ft 4 = 4 ft 6 = 6 ft 8 = 8 ft For other, please enter row length (eg. 48 = 48 ft)	W = White CC = Custom Color	UNV = 120/277	DIM = Dimming Ballast EPC = Emergency Battery Pack EMC = Emergency Circuit TCW = Two Circuit Wiring OTH = Other options available, see page 355

Example » JAZ-FEP | DI | 2T8 | AC | 4 | W | UNV

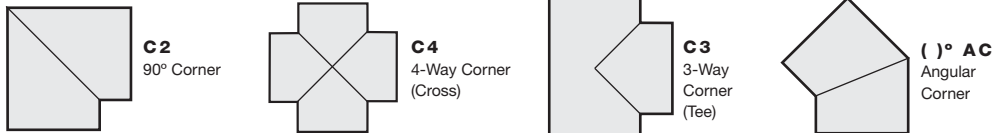
Jazz flat end direct/indirect luminaire with two 32 watt T8 lamps with two 48 inch air craft cable and power feed four foot fixture finished in baked white enamel universal voltage electronic ballast less than 10% total harmonic distortion.

Linear Sections and Suspension Location

SUSPENSION MOUNTING



CORNERS Corners and fixture extensions are custom fabricated to precise dimensions. Please indicate the specific requirements on the layout

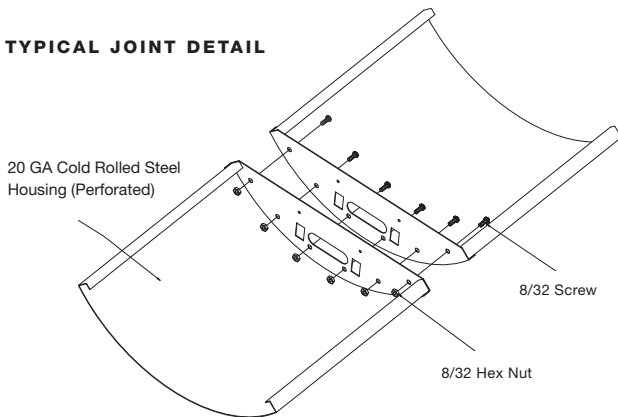


For any angular corner, ()° must be specified and dimensions must be included on the layout

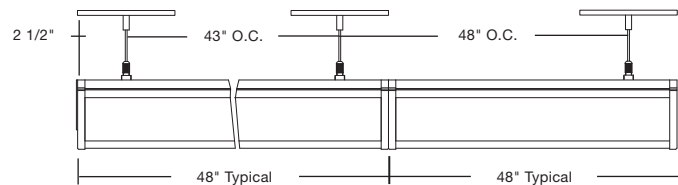
For any pattern, a layout must accompany the order.

Installation Preparation

TYPICAL JOINT DETAIL



MOUNTING INSTALLATION



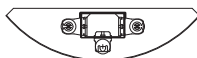
Photometry

COEFFICIENTS OF UTILIZATION-ZONAL CAVITY METHOD

pf_c = 0.20

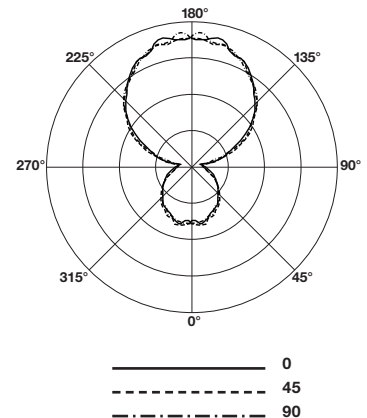
pcc	.8			.7			.5			.3			.1			0		
pw	.7	.5	.3	.1	.7	.5	.3	.1	.5	.3	.1	.5	.3	.1	.5	.3	.1	0
RCR																		
0	81	81	81	81	73	73	73	73	58	58	58	44	44	44	31	31	31	25
1	73	70	66	64	66	63	60	57	49	48	46	37	36	35	24	24	24	20
2	66	60	55	51	59	54	50	47	43	40	37	32	30	29	20	20	20	16
3	60	53	47	42	54	48	43	39	38	34	31	28	26	24	16	16	16	13
4	55	47	40	35	49	42	37	32	33	29	26	25	22	20	14	14	14	11
5	50	41	35	30	45	37	32	28	30	25	22	22	20	17	12	12	12	9
6	46	37	30	26	41	33	28	24	26	22	19	20	17	15	10	10	10	8
7	43	33	27	22	38	30	24	21	24	20	17	18	15	13	9	9	9	7
8	39	30	24	20	35	27	22	18	22	18	15	17	14	12	8	8	8	6
9	37	27	21	17	33	25	19	16	20	16	13	15	12	10	7	7	7	6
10	34	25	19	15	31	22	17	14	18	14	12	14	11	9	6	6	6	5

Total Luminaire Optical Efficiency = 78.9%



CANDELADISTRIBUTION

Vert. Angle	0	22.5	45	67.5	90
0	643	643	643	643	643
10	630	627	625	631	626
20	598	600	593	607	597
30	542	549	551	561	553
40	486	487	493	494	499
50	415	416	412	415	430
60	324	325	330	334	344
70	238	235	247	258	266
80	155	148	166	185	195
90	32.2	70.7	105	127	137
100	224	226	220	234	235
110	504	500	491	523	531
120	744	747	747	762	800
130	956	949	973	974	986
140	1143	1120	1136	1160	1146
150	1291	1296	1281	1287	1277
160	1450	1424	1388	1381	1386
170	1508	1481	1492	1495	1470
180	1543	1543	1543	1543	1543



Lamp (3) 32w T8

Lumens: 2900 Per Lamp

Optical Distribution:
30% Direct: 70% Indirect

Day-O-Lite reserves the right to change product specifications without notice for product improvement.