

## Features

The AP 35 DI series is a direct/indirect version of the family of beveled steel luminaires. The AP 35 DI is designed with direct/indirect distribution for suspended mounting. This series can be mounted individually, in perfectly aligned continuous rows, or in any of combination of patterns. This series is available with a variety of down light shielding components. The AP 35 DI series is an ideal solution for larger spaces with high ceilings where both indirect distribution and direct task lighting is desirable.

## Specifications

**HOUSING:** Two piece die formed 20-gauge cold rolled steel welded construction forming a 3 1/2" x 9" beveled profile. Finished end caps are laser cut 18-gauge cold rolled steel, with no exposed hardware or knockouts. Adjustable mounting brackets provide precision alignment of continuous rows.

**REFLECTOR:** Die formed 20-gauge cold rolled steel minimum 90% reflectivity finished in high gloss baked white enamel.

**SHIELDING:** Parabolic louver is semi-specular low iridescence aluminum 1 1/4" x 4" O.C. with 12 cells per 4' section. Four spring clips secure snap in baffle including two tethers.

**ELECTRICAL:** Ballast is electronic, universal voltage 120/277, high power factor, thermally protected, sound rated A with less than 10% total harmonic distortion. Luminaires in rows are pre-wired with quick connect through wiring. The minimum number of ballasts will be used unless otherwise specified.

**BALLAST DISCONNECT:** Luminaires are pre-wired with integrated locking disconnects.

**MOUNTING:** Standard Installation is an adjustable self-locking aircraft cable assembly 48" x 3/32" in diameter with 5" canopy. One 16/4 SJT straight 54" cord is supplied with each power feed. Standard pendants are available in 24" lengths. See Mounting Options pages for additional mounting.

**FINISH:** Fixture housing and steel components are finished in baked white enamel applied over a five-stage pretreatment process.

**LAMPS:** Fixtures are provided for use with one, two or three T8, T5 or T5HO lamps. (Supplied by Others)

**CERTIFICATION:** Luminaires are U. L. Listed, C.S.A. certified and are Union Made in the United States of America. I.B.E.W.

TYPE

## Ordering Guide

| MODEL NO.    | DIRECTION                | SHIELDING   | NUMBER OF LAMPS | LAMPS            | MOUNTING  | ROW LENGTH   | FINISH                                | VOLTAGE          | OPTIONS  |
|--------------|--------------------------|---|-----------------|------------------|---|--|---------------------------------------|------------------|--|
| <b>AP-35</b> | <b>DI</b>                |   |                 |                  |   |  |                                       |                  |  |
| AP-35        | DI = Direct/<br>Indirect | PBL =<br>Parabolic<br>Louver<br><br>SCB = Steel<br>Cross Baffle<br><br>PRS =<br>Prismatic<br>Acrylic<br><br>WOA = White<br>Opal Acrylic | 1<br>2<br>3     | T8<br>T5<br>T5HO | AC = Cable<br>PD = Pendant<br><br>Other mount-<br>ing options<br>available, see<br>pgs. 357-359 | 4 = 4 ft<br>8 = 8 ft<br><br>For other,<br>please enter<br>row length<br>(eg. 48 = 48 ft) | W = White<br><br>CC = Custom<br>Color | UNV =<br>120/277 | DIM = Dimming Ballast<br>EPC = Emergency Battery Pack<br>EMC = Emergency Circuit<br>TWC = Two Circuit Wiring<br>OTH = Other options available,<br>see page 355 |

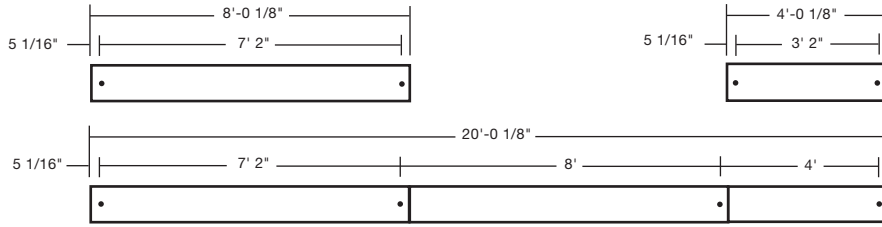
**Example »** AP-35 | DI | PBL | 2T8 | AC | 4 | W | UNV

AP35 direct/indirect with parabolic louver for two 32 watt T8 lamps including two 48 inch aircraft cables and power feed four foot fixture finished in baked white universal voltage electronic ballast less than 10% total harmonic distortion.

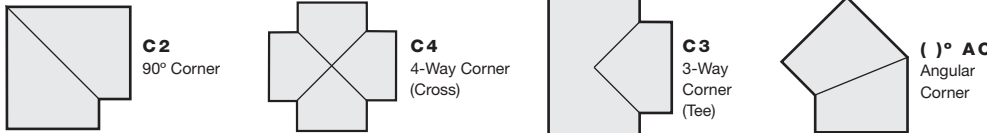


# Linear Sections and Suspension Location

## SUSPENSION MOUNTING



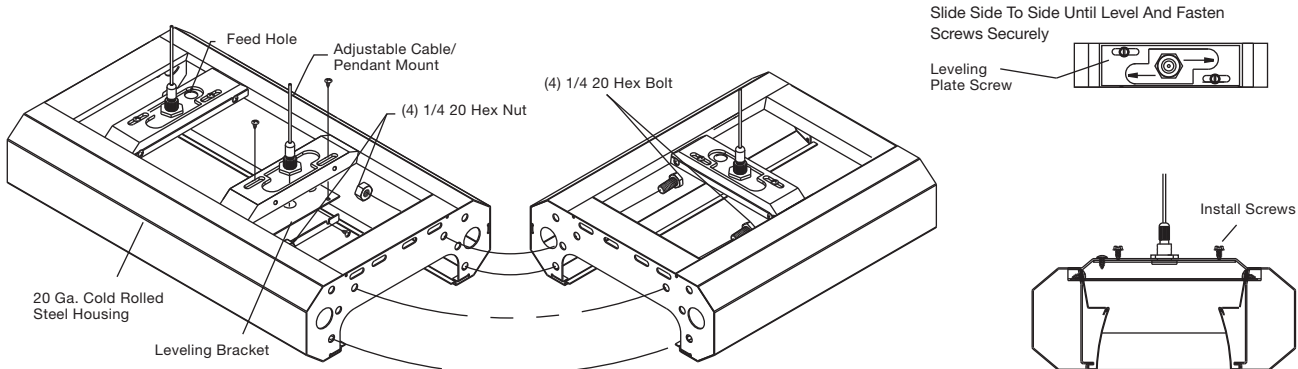
**CORNERS** Corners and fixture extensions are custom fabricated to precise dimensions. Please indicate the specific requirements on the layout



For any angular corner, ( )° must be specified and dimensions must be included on the layout

For any pattern, a layout must accompany the order.

## Installation Preparation



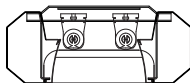
## Photometry

### COEFFICIENTS OF UTILIZATION-ZONAL CAVITY METHOD

pfc = 0.20

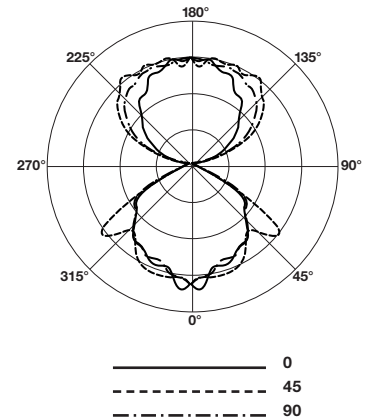
| pcc        | .8 |    | .7 |    | .5 |    | .3 |    | .1 |    | 0  |    |    |    |    |    |    |    |
|------------|----|----|----|----|----|----|----|----|----|----|----|----|----|----|----|----|----|----|
| pw         | .7 | .5 | .3 | .1 | .7 | .5 | .3 | .1 | .5 | .3 | .1 | 0  |    |    |    |    |    |    |
| <b>RCR</b> |    |    |    |    |    |    |    |    |    |    |    |    |    |    |    |    |    |    |
| 0          | 96 | 96 | 96 | 96 | 88 | 88 | 88 | 88 | 73 | 73 | 73 | 59 | 59 | 59 | 46 | 46 | 46 | 40 |
| 1          | 88 | 85 | 81 | 78 | 81 | 78 | 75 | 73 | 65 | 63 | 61 | 53 | 52 | 51 | 40 | 40 | 40 | 36 |
| 2          | 81 | 74 | 69 | 65 | 74 | 69 | 64 | 60 | 57 | 54 | 52 | 47 | 45 | 43 | 35 | 35 | 35 | 31 |
| 3          | 74 | 66 | 60 | 55 | 68 | 61 | 55 | 51 | 51 | 47 | 44 | 42 | 39 | 37 | 30 | 30 | 30 | 26 |
| 4          | 68 | 58 | 52 | 46 | 62 | 54 | 48 | 43 | 45 | 41 | 37 | 38 | 34 | 32 | 25 | 25 | 25 | 23 |
| 5          | 62 | 52 | 45 | 40 | 57 | 48 | 42 | 37 | 41 | 36 | 32 | 34 | 30 | 28 | 22 | 22 | 22 | 20 |
| 6          | 57 | 47 | 39 | 34 | 52 | 43 | 37 | 32 | 37 | 32 | 28 | 30 | 27 | 24 | 19 | 19 | 19 | 18 |
| 7          | 53 | 42 | 35 | 30 | 48 | 39 | 33 | 28 | 33 | 28 | 25 | 28 | 24 | 21 | 17 | 17 | 17 | 15 |
| 8          | 49 | 38 | 31 | 26 | 45 | 35 | 29 | 25 | 30 | 25 | 22 | 25 | 22 | 19 | 15 | 15 | 15 | 14 |
| 9          | 45 | 35 | 28 | 23 | 42 | 32 | 26 | 22 | 27 | 23 | 20 | 23 | 20 | 17 | 14 | 14 | 14 | 12 |
| 10         | 42 | 32 | 25 | 21 | 39 | 29 | 24 | 20 | 25 | 21 | 18 | 21 | 18 | 15 | 12 | 12 | 12 | 11 |

Total Luminaire Optical Efficiency = 90.2%



### CANDELA DISTRIBUTION

| Vert. Angle | 0    | 22.5 | 45   | 67.5 | 90   |
|-------------|------|------|------|------|------|
| 0           | 946  | 946  | 946  | 946  | 946  |
| 10          | 905  | 914  | 910  | 927  | 938  |
| 20          | 845  | 870  | 898  | 898  | 900  |
| 30          | 774  | 800  | 799  | 814  | 812  |
| 40          | 648  | 681  | 674  | 652  | 672  |
| 50          | 515  | 535  | 568  | 724  | 810  |
| 60          | 307  | 317  | 395  | 379  | 345  |
| 70          | 32.2 | 40.0 | 52.6 | 26.6 | 19.9 |
| 80          | 6.05 | 5.50 | 4.28 | 3.36 | 2.55 |
| 90          | 3.67 | 3.80 | 4.08 | 4.11 | 3.61 |
| 100         | 121  | 145  | 108  | 90.6 | 82.8 |
| 110         | 237  | 313  | 360  | 393  | 373  |
| 120         | 372  | 460  | 518  | 583  | 604  |
| 130         | 490  | 556  | 659  | 700  | 732  |
| 140         | 599  | 646  | 739  | 818  | 822  |
| 150         | 688  | 730  | 777  | 818  | 848  |
| 160         | 748  | 759  | 785  | 819  | 827  |
| 170         | 774  | 797  | 788  | 807  | 790  |
| 180         | 790  | 790  | 790  | 790  | 790  |



0  
45  
90

Lamp (2) 32w T8

Lumens: 2900 Per Lamp

Optical Distribution:  
40% Direct: 60% Indirect

Day-O-Lite reserves the right to change product specifications without notice for product improvement.