

## Features

The G8 is a new addition to our family of direct luminaires. The G8 features two rounded cross blade baffles. G8 is available in a one and two lamp version. The G8 is made for today's modern applications. The G8 is the ideal luminaire for any installation where high performance and comfortable lighting are required.

## Specifications

**HOUSING:** Die formed 20-gauge cold rolled steel. The finish ends are laser cut 16-gauge cold rolled steel with no exposed hardware or knockouts.

**SHIELDING:** Die formed 18-gauge cold rolled steel cross blade louvers. Finished in baked white enamel.

**REFLECTOR:** Die formed specular anodized aluminum for optimum efficiency.

**ELECTRICAL:** Ballast is electronic, low-profile, universal voltage 120/277, high power factor, thermally protected, sound rated A with less than 10% total harmonic distortion. Luminaires in rows are pre-wired with quick connect through wiring. The minimum number of ballasts will be used unless otherwise specified. Please consult factory for lamp/ballast availability.

**BALLAST DISCONNECT:** Luminaires are pre-wired with integrated locking disconnects.

**MOUNTING:** Standard installation is surface mounted.

**FINISH:** Fixture housing and steel components are finished in baked white enamel applied over a five-stage pretreatment process.

**LAMPS:** Fixtures are provided for use with T5 or T5HO lamps. (Supplied by Others)

**CERTIFICATION:** Luminaires are U.L. Listed, C.S.A. certified and are Union Made in the United States of America. I.B.E.W.

TYPE

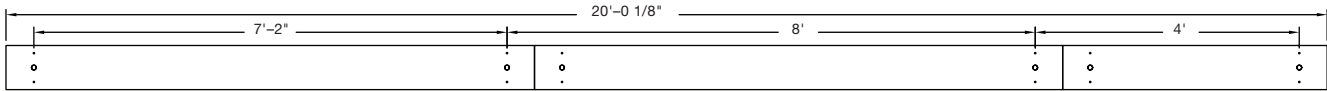
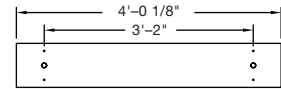
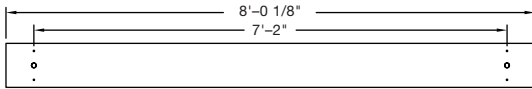
## Ordering Guide

MODEL NO.	DIRECTION	NUMBER OF LAMPS	LAMPS	MOUNTING	ROW LENGTH	FINISH	VOLTAGE	OPTIONS
<b>G8</b>	<b>D</b>							
G8	D = Direct	1 2	T5 T5HO	AC = Cable PD = Pendant S = Surface	4 = 4 ft 8 = 8 ft For other, please enter row length (eg. 48 = 48 ft)	W = White CC = Custom Color	UNV = 120/277	DIM = Dimming Ballast EPC = Emergency Battery Pack EMC = Emergency Circuit TCW = Two Circuit Wiring OTH = Other options available, see page 355

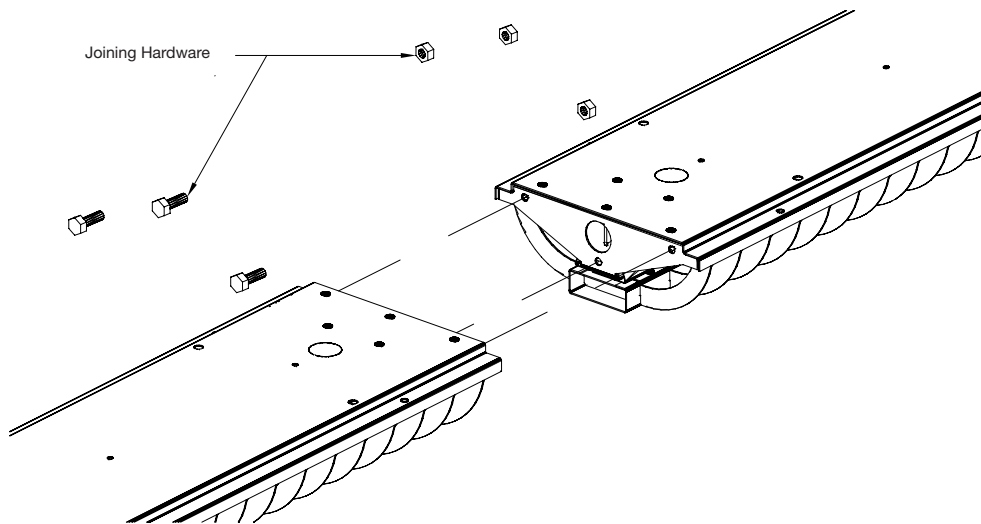
**Example »** G8 | D | 2T5 | S | 4 | W | UNV

G8 direct for two 28 watt T5 lamps, surface mounted 4' fixture, finished in baked white enamel, universal voltage electronic ballast less than 10% total harmonic distortion.

## Linear Sections and Suspension Location



## Installation Preparation



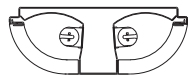
## Photometry

### COEFFICIENTS OF UTILIZATION-ZONAL CAVITY METHOD

pfc = 0.20

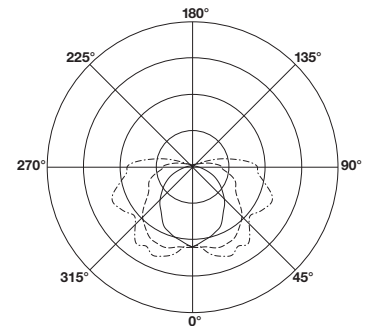
pcc	.8				.7				.5				.3				.1				0	
pw	.7	.5	.3	.1	.7	.5	.3	.1	.5	.3	.1	.5	.3	.1	.5	.3	.1	.5	.3	.1	0	
<b>RCR</b>																						
0	88	88	88	88	85	85	85	85	79	79	79	74	74	74	69	69	69	67				
1	77	72	68	64	74	70	66	62	65	62	59	60	58	55	56	54	52	50				
2	69	61	55	50	66	59	53	49	55	50	46	51	47	44	47	44	41	39				
3	62	53	46	40	60	51	45	39	47	42	37	44	39	36	41	37	34	32				
4	57	46	39	33	54	45	38	32	42	36	31	39	34	30	36	32	28	26				
5	52	41	34	28	49	40	33	27	37	31	26	35	29	25	32	28	24	22				
6	48	37	29	24	46	35	29	24	33	27	23	31	26	22	29	24	21	19				
7	44	33	26	21	42	32	25	21	30	24	20	28	23	19	26	22	18	17				
8	41	30	23	18	39	29	23	18	27	22	17	26	21	17	24	20	16	15				
9	38	27	21	16	36	27	20	16	25	19	16	24	19	15	22	18	14	13				
10	36	25	19	15	34	24	18	14	23	18	14	22	17	13	21	16	13	12				

Total Luminaire Optical Efficiency = 76.1%



### CANDELA DISTRIBUTION

Vert. Angle	0	22.5	45	67.5	90
0	892	892	892	892	892
10	824	850	902	953	961
20	767	828	945	1021	1056
30	669	779	921	998	1017
40	557	687	828	954	988
50	438	558	697	781	842
60	327	422	556	798	926
70	199	279	509	788	935
80	85.0	180	390	641	775
90	19.9	107	317	573	713
100	3.55	55.7	182	354	438
110	0.99	28.0	63.0	101	125
120	0.32	13.4	43.5	44.7	25.1
130	0.04	5.30	24.4	26.1	9.18
140	0.07	1.29	7.83	10.1	2.89
150	0.07	0.29	1.63	2.46	1.08
160	0	0.03	0.11	0.37	0.16
170	0	0.02	0	0.03	0.06
180	0	0	0	0	0



0  
 45  
 90

Lamp (2) 28w T5

Lumens: 2900 Per Lamp

Optical Distribution:  
88% Direct: 12% Indirect

Day-O-Lite reserves the right to change product specifications without notice for product improvement.