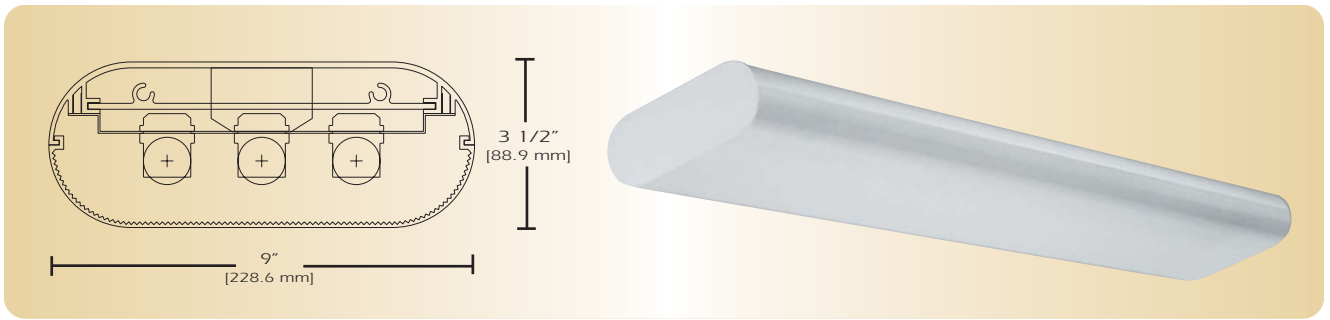


# Ovals

AD-359-D



TYPE \_\_\_\_\_

FEATURES

The AD 359 oval aluminum luminaire is distinguished by its low profile and contemporary design. This high quality luminaire is suitable for most lighting systems and can be mounted to suit any project. The highly efficient design produces a uniform direct light distribution. The AD 359 is ideal where style and quality and performance applications apply.

SPECIFICATIONS

**Housing:** One piece heavy gauge extruded aluminum 6063T5 alloy welded construction forming a 3 1/2" x 9" oval profile. Finished end caps are welded to housing with no exposed hardware or knockouts.

**Reflector:** Die formed 20-gauge cold rolled steel minimum 90% reflectivity finished in high gloss baked white enamel.

**Shielding:** Standard lens is extruded acrylic linear ribbed for efficient light distribution. (ARL)

**Electrical:** Ballast is electronic, high power factor, thermally protected class P, sound rated A, with less than 20% total harmonic distortion. The minimum number of ballasts will be used unless otherwise specified.

**Mounting:** Standard installation is an adjustable self-locking aircraft assembly 48" x 3/32" in diameter with 5" canopy. One 16/4 SJT straight 54" cord is supplied with each power feed. Standard pendants are available in 24" lengths. See Accessories for additional mounting.

**Finish:** Fixture housing and steel components are finished in baked white enamel applied over a five-stage pretreatment process.

**Lamps:** Fixtures are provided for use with two or three 32 watt T8 lamps or 54 watt T5 HO lamps. (Supplied by Others)

**Certification:** Luminaires are U. L. Listed, C. S. A. certified and are Union Made in the United States of America I.B.E.W.

ORDERING GUIDE

MODEL NO.	DIRECTION	SHIELDING	LAMPS	MOUNTING	LENGTH	FINISH	VOLTAGE	OPTIONS
AD-359	D	ARL	232 T8 332 T8 254T5 HO 354T5 HO	AC PD	4= ft 8= ft	W= White CC= Custom Color	120v 277v	See Options Below
			O= Other Specify	See Accessories	for other, please enter row length (eg. 48=48ft)			

Example: **AD-359-D-ARL-232T8-AC-4-W-120V**

AD-359 direct with acrylic ribbed lens for two 32 watt T8 lamps including two 48 inch aircraft cables and power feed four foot fixture finished in baked white enamel 120v electronic ballast less than 20% total harmonic distortion.

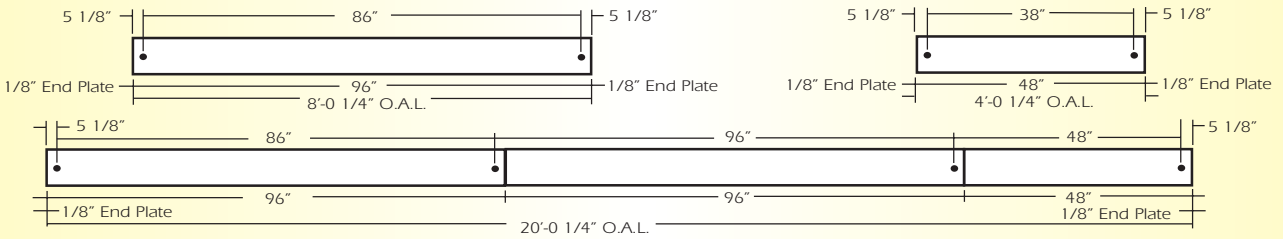
OPTIONS

- E10=** Electronic ballast, high power factor, thermally protected class P, sound rated A, < 10% total harmonic distortion
- DIM=** Dimming Ballast
- EPC=** Emergency Battery Pack
- EMC=** Emergency Circuit
- TCW=** Two Circuit Wiring
- TDW=** Tandem Wiring
- OTH=** See Accessories for other options available

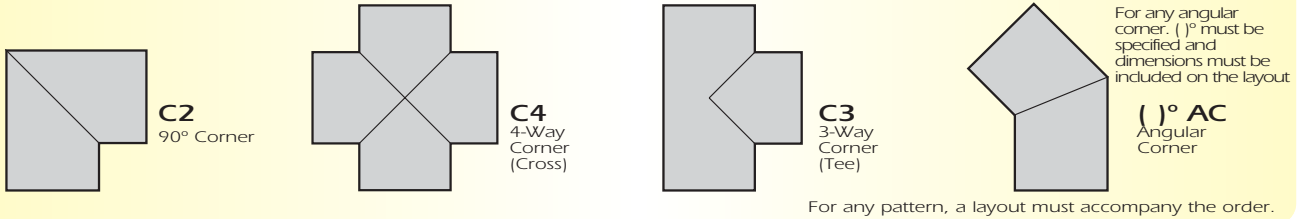
# Ovals

AD-359-D

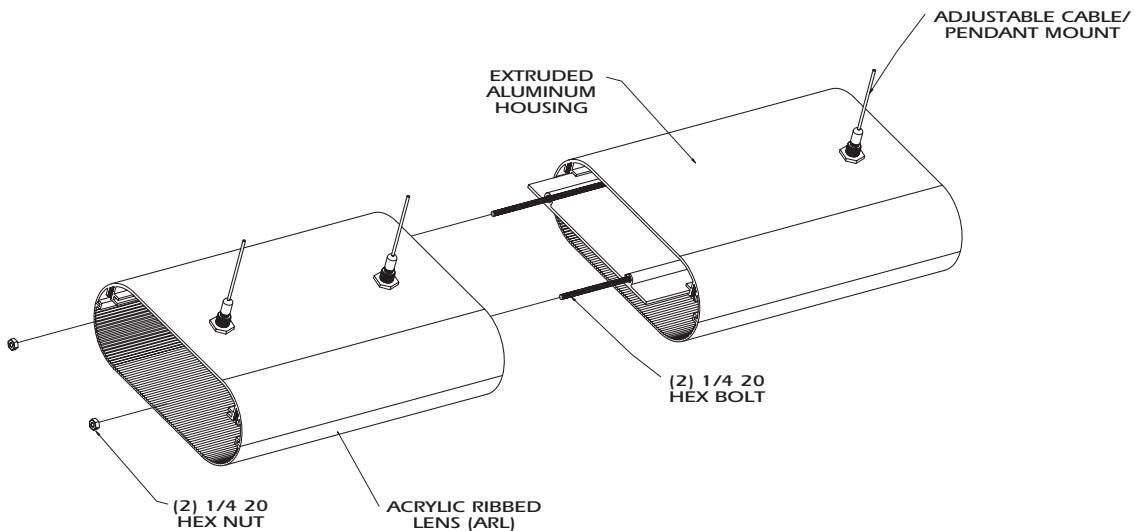
LINEAR SECTIONS AND SUSPENSION LOCATION



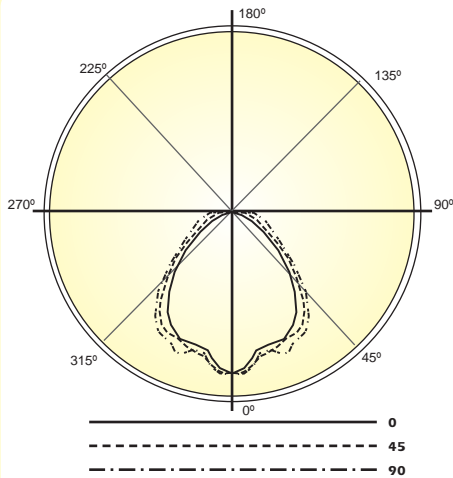
**CORNERS** Corners and fixture extensions are custom fabricated to precise dimensions. Please indicate the specific requirements on the layout



INSTALLATION PREPARATION



PHOTOMETRY



**Candela Distribution:**

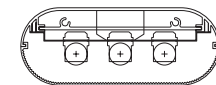
Vert. Angle	0	22.5	45	67.5	90
0	2467	2467	2467	2467	2467
5	2383	2404	2442	2392	2465
10	2156	2194	2269	2281	2251
15	2109	2183	2212	2262	2188
20	2108	2120	2144	2180	2292
25	2041	2003	2103	2201	2234
30	1919	1956	2081	2115	2172
35	1721	1805	1916	2021	2002
40	1465	1528	1652	1750	1760
45	1213	1269	1382	1464	1543
50	938	1000	1103	1193	1202
55	680	731	838	938	962
60	464	527	641	764	814
65	329	385	491	639	690
70	257	295	405	561	602
75	178	202	331	478	549
80	106	129	249	404	463
85	33.8	70.0	169	315	377
90	11.3	40.1	125	274	328

**Optical Distribution:**  
Direct

**Coefficients of Utilization - Zonal Cavity Method:**

pfc = 0.20

	.8	.7	.5	.3	.1	0
pcc	.8	.7	.5	.3	.1	0
pw	.7	.5	.3	.1	.5	.3
RCR	.1	.1	.1	.1	.1	.1
0	80	80	80	80	78	78
1	73	70	67	65	72	69
2	67	62	57	53	65	60
3	62	55	49	45	60	54
4	57	49	43	39	55	48
5	52	44	38	34	51	43
6	48	40	34	30	47	39
7	45	36	30	26	44	36
8	42	33	27	24	41	33
9	39	30	25	21	38	30
10	37	28	23	19	36	28



**Total Luminaire Optical Efficiency = 68.2%**