

Features

The Jazz AS is one variation of a complete family of indirect fluorescent luminaires. Constructed of steel and aluminum extrusions, it features a reveal between modules in continuous rows. The Jazz AS series is of solid construction with aluminum trim. The computer designed optical system creates a widespread indirect distribution.

Specifications

HOUSING: One piece die formed 20-gauge cold rolled steel construction forming a 16" x 3 3/4" rounded profile. The housing trim is die formed extruded aluminum with aluminum recessed ends. Decorative connectors join fixtures in rows.

REFLECTOR: Die formed 20 gauge cold rolled steel minimum 90% reflectivity finished in high gloss baked white enamel. Die formed specular reflector is also available.

ELECTRICAL: Ballast is electronic, universal voltage 120/277, high power factor, thermally protected, sound rated A with less than 10% total harmonic distortion. Luminaires in rows are pre-wired with quick connect through wiring. The minimum number of ballasts will be used unless otherwise specified.

BALLAST DISCONNECT: Luminaires are pre-wired with integrated locking disconnects.

MOUNTING: Standard Installation is an adjustable self-locking aircraft cable assembly 48" x 3/32" in diameter with 5" canopy. One 16/4 SJT straight 54" cord is supplied with each power feed. Standard pendants are available in 24" lengths. See Mounting Options pages for additional mounting.

FINISH: Fixture housing and steel components are finished in baked white enamel applied over a five-stage pretreatment process.

LAMPS: Fixtures are provided for use with two T8, T5 or T5HO lamps. Also available with 40 watt or 50 watt compact fluorescent lamps. (Supplied by Others)

CERTIFICATION: Luminaires are U.L. Listed, C.S.A. certified and are Union Made in the United States of America I.B.E.W.

TYPE

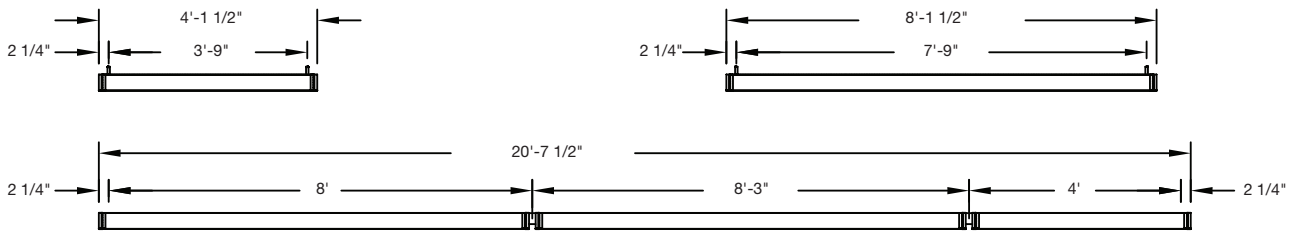
Ordering Guide

MODEL NO.	DIRECTION	NUMBER OF LAMPS	LAMPS	MOUNTING	ROW LENGTH	FINISH	VOLTAGE	OPTIONS
JAZ-AS	I							
JAZ-AS	I = Indirect	2	T8 T5 T5HO 40CF 50CF	AC = Cable PD = Pendant Other mounting options available, see pgs. 357-359	4 = 4 ft 8 = 8 ft For other, please enter row length (eg. 48 = 48 ft)	W = White CC = Custom Color	UNV = 120/277	DIM = Dimming Ballast EPC = Emergency Battery Pack EMC = Emergency Circuit TCW = Two Circuit Wiring OTH = Other options available, see page 355

Example » JAZ-AS | I | 2T8 | AC | 4 | W | UNV

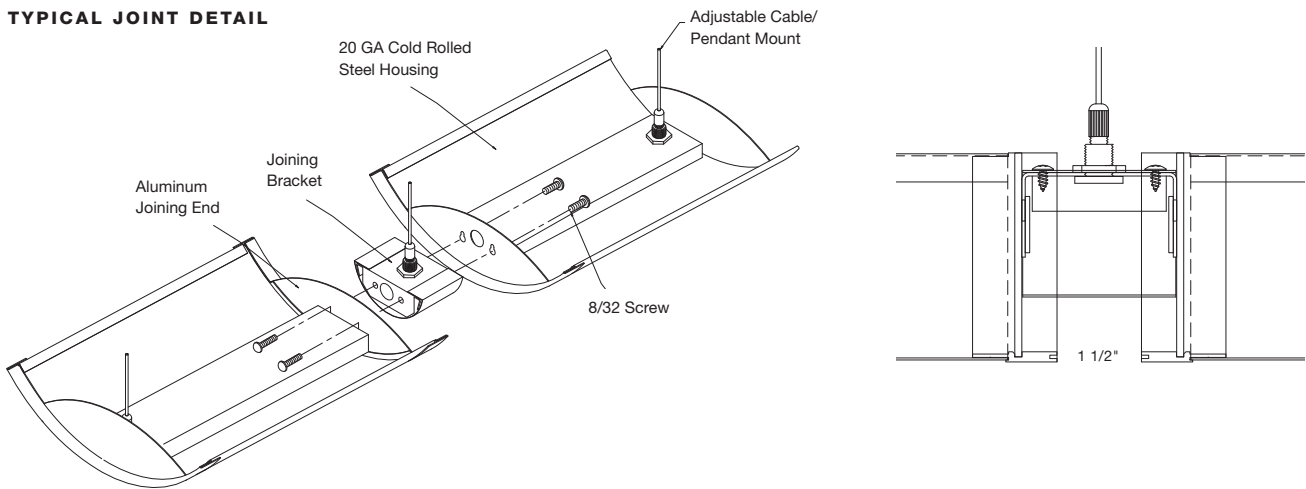
Jazz All Solid for two 32 watt T8 lamps including two 48 inch aircraft cables and power feed four foot fixture finished in baked white universal voltage electronic ballast less than 10% total harmonic distortion.

Linear Sections and Suspension Location



Installation Preparation

TYPICAL JOINT DETAIL



Photometry

COEFFICIENTS OF UTILIZATION-ZONAL CAVITY METHOD

pfc = 0.20

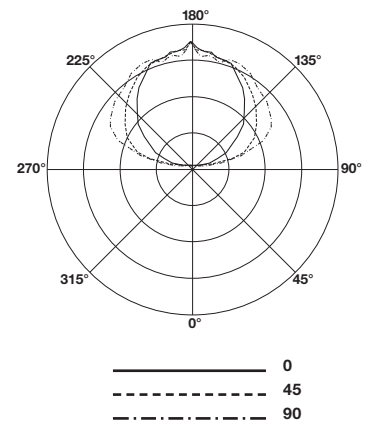
pcc	.8			.7			.5			.3			.1			0		
pw	.7	.5	.3	.7	.5	.3	.5	.3	.1	.5	.3	.1	.5	.3	.1	0		
RCR																		
0	78	78	78	78	67	67	67	67	46	46	46	26	26	26	8	8	8	0
1	71	68	65	62	61	58	56	53	40	38	37	23	22	22	7	7	7	0
2	65	59	55	51	55	51	47	44	35	32	31	20	19	18	6	6	6	0
3	59	52	46	42	50	44	40	36	30	28	26	18	16	15	5	5	5	0
4	54	46	40	35	46	39	34	31	27	24	22	16	14	13	4	4	4	0
5	49	40	34	30	42	35	30	26	24	21	18	14	12	11	3	3	3	0
6	45	36	30	25	38	31	26	22	21	18	16	12	11	9	3	3	3	0
7	41	32	26	22	35	28	23	19	19	16	14	11	9	8	3	3	3	0
8	38	29	23	19	32	25	20	17	17	14	12	10	8	7	2	2	2	0
9	35	26	20	17	30	22	18	14	16	12	10	9	7	6	2	2	2	0
10	33	24	18	15	28	20	16	13	14	11	9	8	7	5	2	2	2	0

Total Luminaire Optical Efficiency = 81.9%



CANDELA DISTRIBUTION

Vert. Angle	0	22.5	45	67.5	90
90	9.66	9.29	7.19	6.21	6.12
95	78.9	78.0	55.9	54.9	53.0
100	188	214	191	199	198
105	318	339	377	382	396
110	445	451	510	575	602
115	591	572	617	691	732
120	700	695	715	778	804
125	829	816	814	862	877
130	923	945	927	928	941
135	1052	1059	1036	1021	1020
140	1151	1178	1141	1117	1118
145	1294	1296	1253	1210	1206
150	1415	1409	1370	1331	1319
155	1529	1524	1484	1429	1428
160	1645	1623	1574	1547	1575
165	1713	1683	1672	1636	1654
170	1731	1747	1729	1703	1722
175	1808	1771	1770	1765	1770
180	1753	1753	1753	1753	1753



Lamp (2) 32w T8

Lumens: 2900 Per Lamp

Optical Distribution:
100% Indirect

Day-O-Lite reserves the right to change product specifications without notice for product improvement.