

Other shielding perforation options available, see page 360

## Features

The G1-WM is a complete group of wall mounted linear direct/indirect fluorescent luminaires. The low profile and modern design provide excellent efficiency and styling where high performance and uniform lighting is required. The computer generated optical system creates a widespread glare free indirect distribution. Designer creativity provides unique styling of perforated patterns and lamp configurations to meet a perceived source of illumination for the specific environment.

## Specifications

**HOUSING:** One piece die formed 20-gauge cold rolled steel welded construction forming a 3 1/4" x 6" rounded profile. Continuous perforated sections are 1/16" diameter x 3/32" straight centers with white acrylic .020 translucent overlay. Finished end caps are laser cut 16-gauge cold rolled steel, with no exposed hardware or knockouts. The wall mounted fixture is available in all perforation options. For additional perforation designs reference shielding sheet.

**REFLECTOR:** Die formed 20-gauge cold rolled steel minimum 90% reflectivity finished in high gloss baked white enamel.

**ELECTRICAL:** Ballast is electronic, universal voltage 120/277, high power factor, thermally protected, sound rated A with less than 10% total harmonic distortion. Luminaires in rows are pre-wired with quick connect through wiring. The minimum number of ballasts will be used unless otherwise specified.

**BALLAST DISCONNECT:** Luminaires are pre-wired with integrated locking disconnects.

**MOUNTING:** Mounting holes are provided at 18" on center for ease of installation.

**FINISH:** Fixture housing and steel components are finished in baked white enamel applied over a five-stage pretreatment process.

**LAMPS:** Fixtures are provided for use with one or two T8, T5 or T5HO lamps. (Supplied by Others)

**CERTIFICATION:** Luminaires are U.L. Listed, C.S.A. certified and are Union Made in the United States of America I.B.E.W.

TYPE

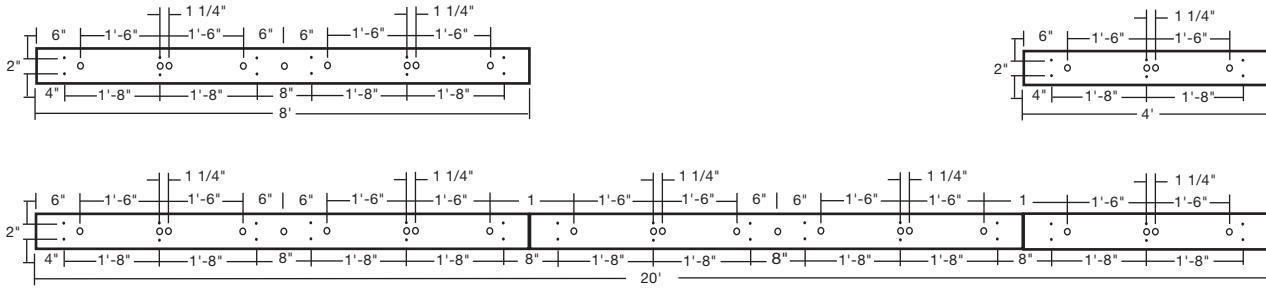
## Ordering Guide

MODEL NO.	DIRECTION	SHIELDING	NUMBER OF LAMPS	LAMPS	MOUNTING	ROW LENGTH	FINISH	VOLTAGE	OPTIONS
<b>G1</b>	<b>DI</b>	<b>3</b>							
G1	DI = Direct/ Indirect I = Indirect	3 = Perforated Continuous (shown)  Other shielding options avail- able, see page 360	1 2	T8 T5 T5HO	WM = Wall Mount	4 = 4 ft 8 = 8 ft 12 = 12 ft  For other, please enter row length (eg. 48 = 48 ft)	W = White  CC = Custom Color	UNV = 120/277	DIM = Dimming Ballast EPC = Emergency Battery Pack EMC = Emergency Circuit TCW = Two Circuit Wiring OTH = Other options available, see page 355

**Example »** **G1 | DI | 3 | 2T8 | WM | 4 | W | UNV**

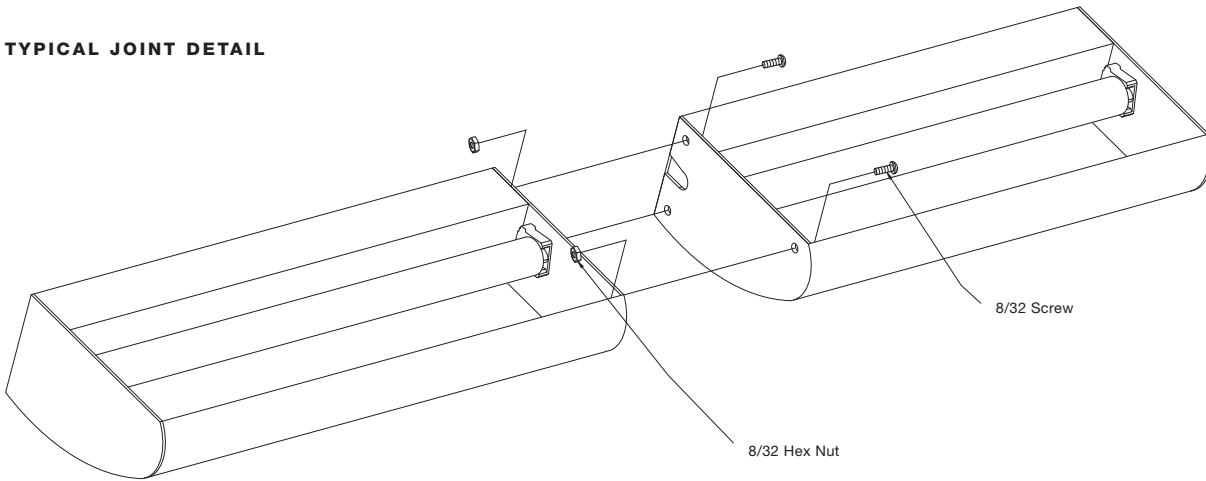
Generation One with perforated continuous pattern with opal overlay for two 32 watt T8 lamps wall mounted finished in baked white enamel with universal voltage electronic ballast less than 10% total harmonic distortion.

## Linear Sections and Suspension Location



## Installation Preparation

### TYPICAL JOINT DETAIL



## Photometry

### COEFFICIENTS OF UTILIZATION-ZONAL CAVITY METHOD

pfc = 0.20

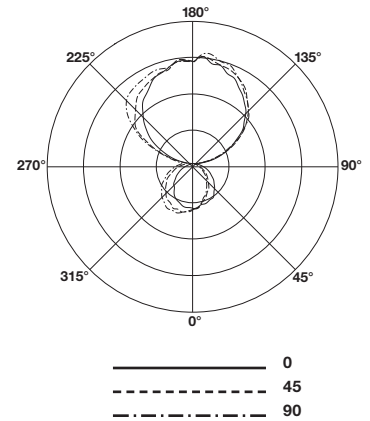
pcc	.8			.7			.5			.3			.1			0			
pw	.7	.5	.3	.7	.5	.3	.5	.3	.1	.5	.3	.1	.5	.3	.1	0			
<b>RCR</b>																			
0	84	84	84	84	75	75	75	75	59	59	59	59	43	43	43	29	29	29	23
1	76	73	70	67	68	65	62	60	51	49	47	47	38	37	35	24	24	24	19
2	69	63	58	54	62	57	53	49	44	42	39	39	33	31	29	20	20	20	16
3	63	56	50	45	56	50	45	41	39	36	33	33	29	27	25	17	17	17	13
4	58	49	43	38	51	44	39	34	35	31	28	28	26	23	21	14	14	14	11
5	53	44	37	32	47	39	34	29	31	27	24	24	23	20	18	12	12	12	10
6	49	39	32	28	43	35	29	25	28	24	20	21	18	16	14	11	11	11	8
7	45	35	29	24	40	31	26	22	25	21	18	19	16	14	12	9	9	9	7
8	41	32	25	21	37	28	23	19	23	19	16	17	14	12	10	8	8	8	7
9	38	29	23	19	34	26	21	17	21	17	14	16	13	11	9	7	7	7	6
10	36	26	20	17	32	24	19	15	19	15	12	14	12	10	8	7	7	7	5

Total Luminaire Optical Efficiency = 82.5%



### CANDELA DISTRIBUTION

Vert. Angle	0	22.5	45	67.5	90
0	456	456	456	456	456
10	421	423	408	390	416
20	409	383	353	325	336
30	390	333	295	266	254
40	321	260	218	192	191
50	256	199	157	121	113
60	184	119	77.6	57.4	49.6
70	112	54.9	24.1	12.8	9.48
80	37.6	7.89	1.79	0.41	0.42
90	5.92	3.84	5.29	4.01	3.78
100	157	143	133	121	110
110	331	343	328	312	306
120	500	525	530	505	522
130	660	693	699	697	719
140	792	843	834	834	835
150	896	945	955	943	948
160	972	1014	1018	1027	1059
170	1026	1071	1059	1046	1109
180	1031	1031	1031	1031	1031



Lamp (2) 32w T8

Lumens: 2900 Per Lamp

Optical Distribution:  
28% Direct: 72% Indirect