

Other shielding perforation options available, see page 360

Features

The G1-DI is one variation of a complete family of suspended linear fluorescent luminaires. The G1-DI is a direct/indirect version of the family of luminaires. The computer designed optical system creates a widespread indirect distribution while the variety of direct components provides contrast. The low profile and modern design provide excellent efficiency and styling where high performance and uniform lighting are required.

Specifications

HOUSING: One piece die formed 20-gauge cold rolled steel welded construction forming a 9.50" x 3.25" rounded profile. Continuous perforated sections with white .020 translucent overlay. Finished end caps are laser cut 16-gauge cold rolled steel, with no exposed hardware or knockouts. Aligner brackets are provided to eliminate light leaks and for precision alignment of continuous rows.

REFLECTOR: Die formed 20-gauge cold rolled steel minimum 90% reflectivity finished in high gloss baked white enamel with die formed side reflectors.

ELECTRICAL: Ballast is electronic, universal voltage 120/277, high power factor, thermally protected, sound rated A with less than 10% total harmonic distortion. Luminaires in rows are pre-wired with quick connect through wiring. The minimum number of ballasts will be used unless otherwise specified.

BALLAST DISCONNECT: Luminaires are pre-wired with integrated locking disconnects.

MOUNTING: Standard Installation is an adjustable self-locking aircraft cable assembly 48" x 3/32" in diameter with 5" canopy. One 16/4 SJT straight 54" cord is supplied with each power feed. Standard pendants are available in 24" lengths. See Mounting Options pages for additional mounting.

FINISH: Fixture housing and steel components are finished in baked white enamel applied over a five-stage pretreatment process.

LAMPS: Fixtures are provided for use with one, two or three T8, T5 or T5HO lamps. (Supplied by Others)

CERTIFICATION: Luminaires are U. L. Listed, C.S.A. certified and are Union Made in the United States of America I.B.E.W.

TYPE

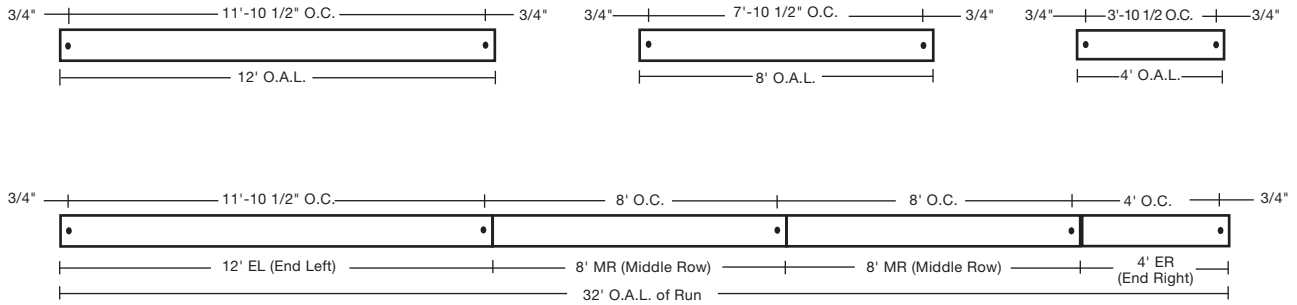
Ordering Guide

MODEL NO.	DIRECTION	SHIELDING	NUMBER OF LAMPS	LAMPS	MOUNTING	ROW LENGTH	FINISH	VOLTAGE	OPTIONS
G1	DI	3							
G1	DI = Direct/ Indirect	3 = Perforated Continuous (shown) Other shielding options avail- able, see page 360	1 2 3	T8 T5 T5HO	AC = Cable PD = Pendant Other mount- ing options available, see pgs. 357-359	4 = 4 ft 8 = 8 ft 12 = 12 ft For other, please enter row length (eg. 48 = 48 ft)	W = White CC = Custom Color	UNV = 120/277	DIM = Dimming Ballast EPC = Emergency Battery Pack EMC = Emergency Circuit TCW = Two Circuit Wiring SPEC = Specular Side Reflectors OTH = Other options available, see page 355

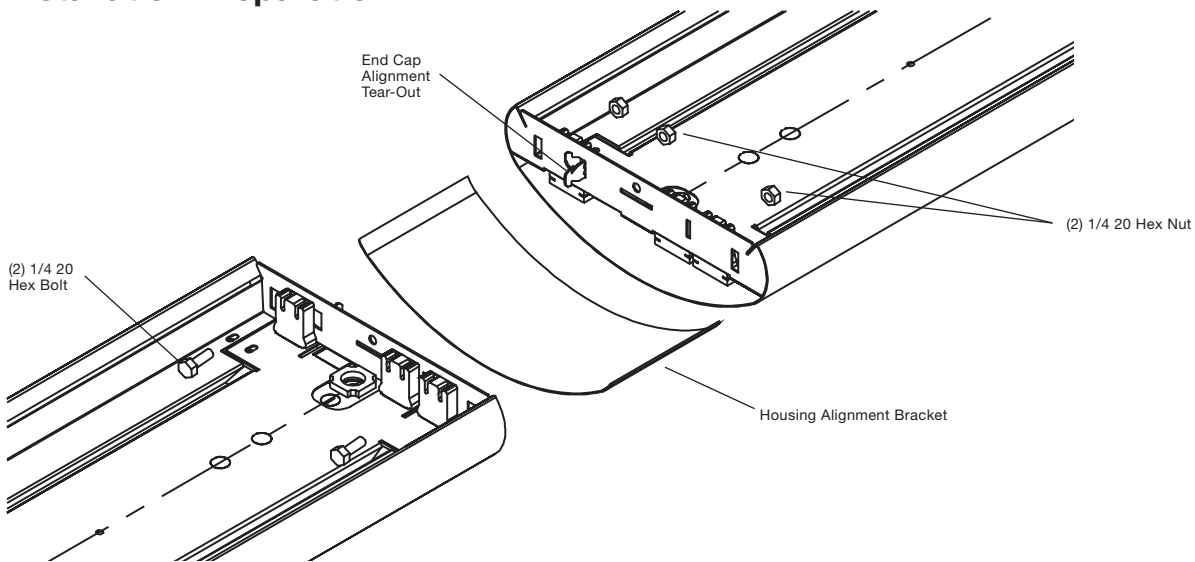
Example » **G1 | DI | 3 | 2T8 | AC | 4 | W | UNV**

Generation One with perforated continuous pattern with opal overlay for two 32 watt T8 lamps with two 48 inch aircraft cables and power feed four foot fixture finished in baked white enamel with universal voltage electronic ballast less than 10% total harmonic distortion.

Linear Sections and Suspension Location



Installation Preparation



Photometry

COEFFICIENTS OF UTILIZATION-ZONAL CAVITY METHOD

pfc = 0.20

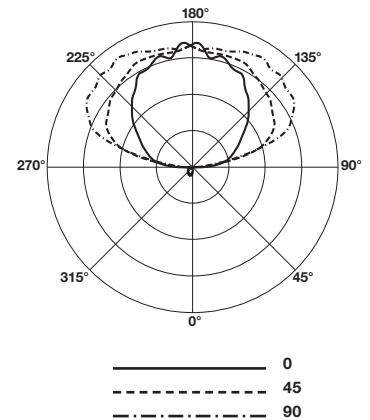
pcc	.8				.7				.5				.3				.1				0
pw	.7	.5	.3	.1	.7	.5	.3	.1	.5	.3	.1	.5	.3	.1	.5	.3	.1	.5	.3	.1	0
RCR																					
0	85	85	85	85	73	73	73	73	51	51	51	31	31	31	13	13	13	4			
1	77	74	70	68	66	64	61	59	45	43	42	27	27	26	11	11	11	4			
2	70	64	59	55	60	56	52	48	39	37	35	24	23	22	9	9	9	3			
3	64	56	51	46	55	49	44	40	35	32	29	21	20	18	8	8	8	3			
4	58	50	44	39	50	43	38	34	31	27	25	19	17	16	7	7	7	3			
5	53	44	38	33	46	38	33	29	27	24	21	17	15	14	6	6	6	2			
6	49	39	33	28	42	34	29	25	24	21	18	15	13	12	5	5	5	2			
7	45	35	29	24	39	31	25	22	22	18	16	14	12	10	5	5	5	2			
8	42	32	26	21	36	28	22	19	20	16	14	13	11	9	4	4	4	2			
9	39	29	23	19	33	25	20	16	18	15	12	11	9	8	4	4	4	2			
10	36	26	20	16	31	23	18	15	16	13	11	10	8	7	3	3	3	2			

Total Luminaire Optical Efficiency = 87.6%



CANDELA DISTRIBUTION

Vert. Angle	0	22.5	45	67.5	90
0	178	178	178	178	178
10	179	170	168	164	157
20	161	147	119	107	114
30	133	111	90	85	90
40	105	76	62	54	49
50	62	47	34	27	29
60	21	22	20	24	26
70	38	51	10	16	17
80	25	18	20	57	68
90	11	87	61	36	26
100	199	367	411	366	343
110	352	565	814	960	1002
120	510	666	937	1126	1190
130	664	773	1022	1184	1224
140	818	881	1056	1204	1242
150	957	1016	1088	1200	1275
160	1034	1055	1120	1165	1168
170	1038	1074	1091	1106	1144
180	1099	1099	1099	1099	1099



Lamp (2) 32w T8

Lumens: 2900 Per Lamp

Optical Distribution:
5% Direct: 95% Indirect

Day-O-Lite reserves the right to change product specifications without notice for product improvement.