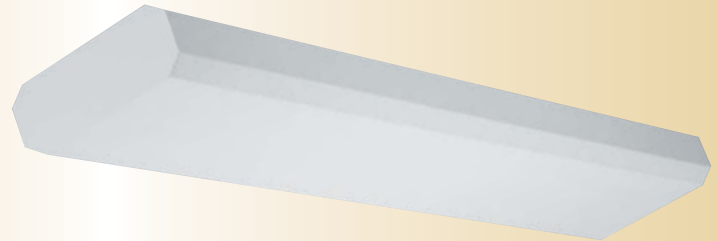
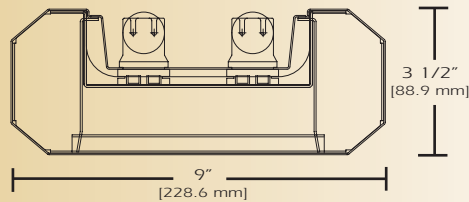


# General Illumination

AP-35-I



**TYPE** \_\_\_\_\_

**FEATURES**

The AP 35 I series is an indirect version of the family of beveled steel luminaires. The AP 35 I is designed with indirect distribution for suspended mounting. This series can be mounted individually, in perfectly aligned continuous rows or in any of combination of patterns. The AP 35 I series is an ideal solution for large spaces with high ceilings. These applications benefit from the widespread indirect distribution.

**SPECIFICATIONS**

**Housing:** One piece die formed 20-gauge cold rolled steel welded construction forming a 3 1/2" x 9" beveled profile. Finished end caps are laser cut 18-gauge cold rolled steel, with no exposed hardware or knockouts. Adjustable mounting brackets provide precision alignment of continuous rows.

**Reflector:** Die formed 20-gauge cold rolled steel minimum 90% reflectivity finished in high gloss baked white enamel.

**Electrical:** Ballast is electronic, high power factor, thermally protected class P, sound rated A, with less than 20% total harmonic distortion. The minimum number of ballasts will be used unless otherwise specified.

**Mounting:** Standard installation is an adjustable self-locking aircraft assembly 48" x 3/32" in diameter with 5" canopy. One 16/4 SJT straight 54" cord is supplied with each power feed. Standard pendants are available in 24" lengths. See Accessories for additional mounting.

**Finish:** Fixture housing and steel components are finished in baked white enamel applied over a five-stage pretreatment process.

**Lamps:** Fixtures are provided for use with one, two or three 32 watt T8 lamps or 54 watt T5 HO lamps. (Supplied by Others)

**Certification:** Luminaires are U. L. Listed, C. S. A. certified and are Union Made in the United States of America. I.B.E.W.

**ORDERING GUIDE**

MODEL NO.	DIRECTION	LAMPS	MOUNTING	LENGTH	FINISH	VOLTAGE	OPTIONS
AP-35	I	132 T8 232 T8 332 T8	AC=Cable PD=Pendant	4= ft 8= ft	W= White CC= Custom Color	120v 277v	See Options Below
		154T5 HO 254T5 HO 354T5 HO	O=Other Specify	See Accessories	for other, please enter row length (eg. 48=48ft)		

Example: **AP35-I-232T8-AC-4-W-120V**

AP35 indirect for two 32 watt T8 lamps including two 48 inch aircraft cables and power feed four foot fixture finished in baked white enamel 120v electronic ballast less than 20% total harmonic distortion.

**OPTIONS**

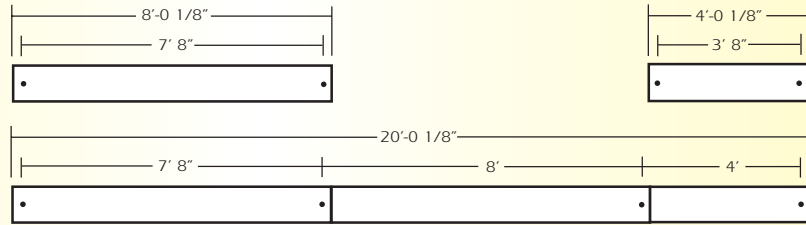
- E10=** Electronic ballast, high power factor, thermally protected class P, sound rated A, < 10% total harmonic distortion
- DIM=** Dimming Ballast
- EPC=** Emergency Battery Pack
- EMC=** Emergency Circuit
- TCW=** Two Circuit Wiring
- TDW=** Tandem Wiring
- OTH=** See Accessories for other options available

# General Illumination

AP-35-1

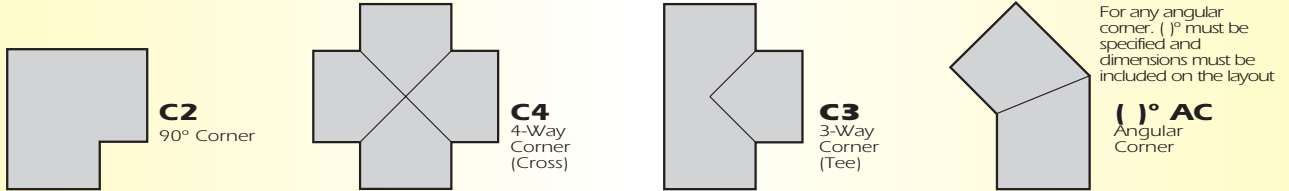
LINEAR SECTIONS AND SUSPENSION LOCATION

## SUSPENSION MOUNTING



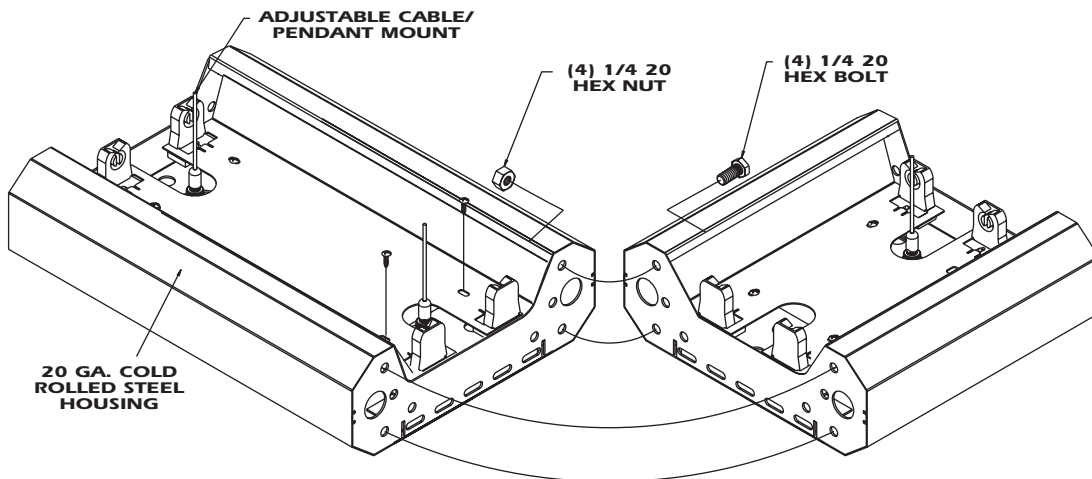
## CORNERS

Corners and fixture extensions are custom fabricated to precise dimensions. Please indicate the specific requirements on the layout

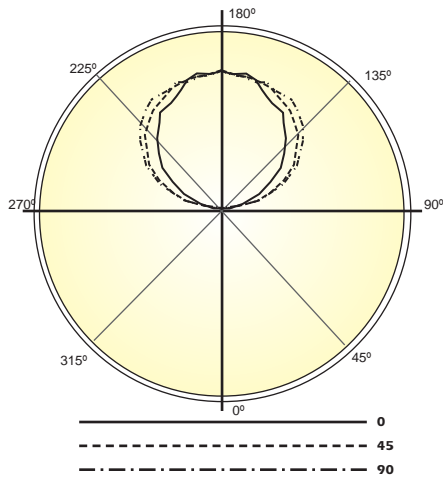


For any pattern, a layout must accompany the order.

INSTALLATION PREPARATION



PHOTOMETRY



### Candela Distribution:

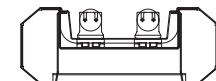
Vert. Angle	0	22.5	45	67.5	90
90	12.0	19.7	20.9	22.0	13.1
95	66.2	124	129	125	120
100	165	257	300	298	309
105	270	380	447	474	474
110	375	475	565	610	625
115	482	594	690	733	755
120	591	696	809	858	854
125	722	796	879	940	963
130	808	867	968	1031	1055
135	888	963	1058	1094	1129
140	981	1017	1100	1167	1189
145	1060	1091	1169	1217	1255
150	1139	1162	1198	1271	1270
155	1161	1218	1233	1284	1266
160	1227	1278	1286	1286	1310
165	1302	1252	1284	1340	1277
170	1333	1309	1304	1306	1305
175	1321	1304	1307	1372	1300
180	1349	1349	1349	1349	1349

Optical Distribution:  
100% Indirect

### Coefficients of Utilization - Zonal Cavity Method:

pfc = 0.20

	.8	.7	.5	.3	.1	0
pcc	.8	.7	.5	.3	.1	0
pw	.7 .5 .3 .1	.7 .5 .3 .1	.5 .3 .1	.5 .3 .1	.5 .3 .1	0
RCR						
0	75 75 75 75	64 64 64 64	43 43 43	25 25 25	8 8 8	0
1	68 65 62 59	58 55 53 51	38 36 35	22 21 20	7 6 6	0
2	62 57 52 48	53 48 45 42	33 31 29	19 18 17	6 5 5	0
3	56 49 44 40	48 42 38 35	29 26 24	16 15 14	5 5 4	0
4	51 44 38 34	44 37 33 29	25 23 20	15 13 12	4 4 4	0
5	47 38 33 28	40 33 28 25	23 20 17	13 11 10	4 3 3	0
6	43 34 28 24	36 29 24 21	20 17 15	11 10 9	3 3 2	0
7	39 31 25 21	33 26 21 18	18 15 13	10 9 7	3 2 2	0
8	36 27 22 18	31 24 19 16	16 13 11	9 8 6	3 2 2	0
9	34 25 19 16	29 21 17 14	15 12 10	8 7 5	2 2 1	0
10	31 22 17 14	26 19 15 12	13 10 8	7 6 5	2 2 1	0



Total Luminaire Optical Efficiency = 79.1%