

Features

The AP 35 I series is an indirect version of the family of beveled steel luminaires. The AP 35 I is designed with indirect distribution for suspended mounting. This series can be mounted individually, in perfectly aligned continuous rows or in any of combination of patterns. The AP 35 I series is an ideal solution for large spaces with high ceilings. These applications benefit from the widespread indirect distribution.

Specifications

HOUSING: One piece die formed 20-gauge cold rolled steel welded construction forming a 3 1/2" x 9" beveled profile. Finished end caps are laser cut 18-gauge cold rolled steel, with no exposed hardware or knockouts. Adjustable mounting brackets provide precision alignment of continuous rows.

REFLECTOR: Die formed 20-gauge cold rolled steel minimum 90% reflectivity finished in high gloss baked white enamel.

ELECTRICAL: Ballast is electronic, universal voltage 120/277, high power factor, thermally protected, sound rated A with less than 10% total harmonic distortion. Luminaires in rows are pre-wired with quick connect through wiring. The minimum number of ballasts will be used unless otherwise specified.

BALLAST DISCONNECT: Luminaires are pre-wired with integrated locking disconnects.

MOUNTING: Standard installation is an adjustable self-locking aircraft assembly 48" x 3/32" in diameter with 5" canopy. One 16/4 SJT straight 54" cord is supplied with each power feed. Standard pendants are available in 24" lengths. See Mounting Options pages for additional mounting.

FINISH: Fixture housing and steel components are finished in baked white enamel applied over a five-stage pretreatment process.

LAMPS: Fixtures are provided for use with one, two or three T8, T5 or T5HO lamps. (Supplied by Others)

CERTIFICATION: Luminaires are U. L. Listed, C.S.A. certified and are Union Made in the United States of America. I.B.E.W.

TYPE

Ordering Guide

MODEL NO.	DIRECTION	NUMBER OF LAMPS	LAMPS	MOUNTING	ROW LENGTH	FINISH	VOLTAGE	OPTIONS
AP-35	I							
AP-35	I = Indirect	1 2 3	T8 T5 T5HO	AC = Cable PD = Pendant Other mounting options available, see pgs. 357-359	4 = 4 ft 8 = 8 ft For other, please enter row length (eg. 48 = 48 ft)	W = White CC = Custom Color	UNV = 120/277	DIM = Dimming Ballast EPC = Emergency Battery Pack EMC = Emergency Circuit TWC = Two Circuit Wiring OTH = Other options available, see page 355

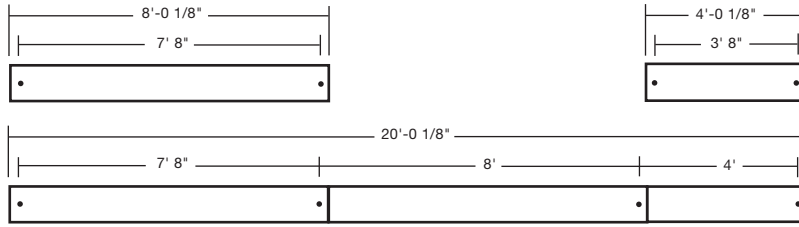
Example » AP-35 | I | 2T8 | AC | 4 | W | UNV

AP35 indirect for two 32 watt T8 lamps including two 48 inch aircraft cables and power feed four foot fixture finished in baked white enamel universal voltage electronic ballast less than 10% total harmonic distortion.

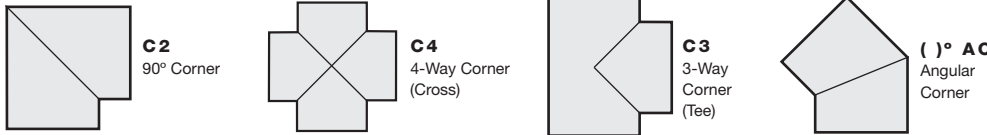


Linear Sections and Suspension Location

SUSPENSION MOUNTING



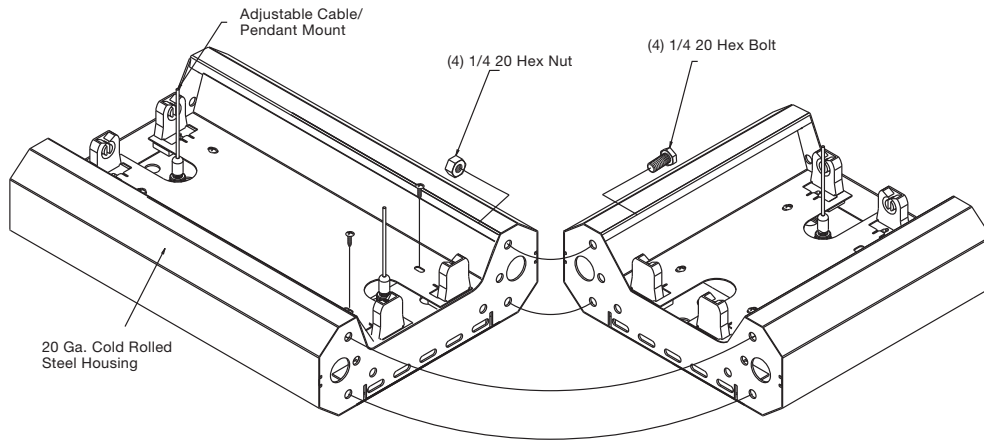
CORNERS Corners and fixture extensions are custom fabricated to precise dimensions. Please indicate the specific requirements on the layout



For any angular corner, ()° must be specified and dimensions must be included on the layout

For any pattern, a layout must accompany the order.

Installation Preparation



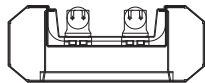
Photometry

COEFFICIENTS OF UTILIZATION-ZONAL CAVITY METHOD

pfc = 0.20

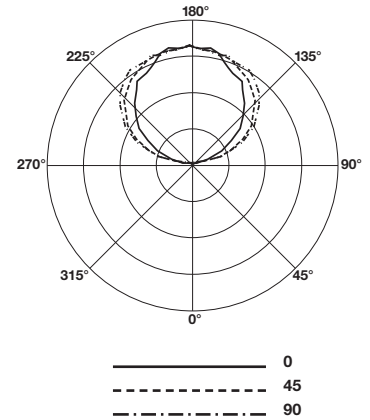
pcc	.8			.7			.5			.3			.1			0		
pw	.7	.5	.3	.1	.7	.5	.3	.1	.5	.3	.1	.5	.3	.1	.5	.3	.1	0
RCR																		
0	83	83	83	83	71	71	71	71	49	49	49	28	28	28	9	9	9	0
1	76	72	69	66	65	62	59	57	42	41	39	24	24	23	7	7	7	0
2	69	63	58	54	59	54	50	47	37	35	33	21	20	19	6	6	6	0
3	63	55	49	45	53	47	43	39	33	30	27	19	17	16	5	5	5	0
4	57	49	42	38	49	42	37	33	29	26	23	17	15	14	4	4	4	0
5	52	43	37	32	44	37	32	28	25	22	20	15	13	12	4	4	4	0
6	48	38	32	27	41	33	28	24	23	19	17	13	11	10	3	3	3	0
7	44	34	28	23	37	29	24	20	20	17	14	12	10	9	3	3	3	0
8	41	31	25	20	35	26	21	18	18	15	13	11	9	7	2	2	2	0
9	38	28	22	18	32	24	19	15	17	13	11	10	8	7	2	2	2	0
10	35	25	19	16	30	22	17	14	15	12	10	9	7	6	2	2	2	0

Total Luminaire Optical Efficiency = 87.4%



CANDELA DISTRIBUTION

Vert. Angle	0	22.5	45	67.5	90
90	20.7	16.1	15.5	15.8	16.2
95	113	126	115	108	101
100	232	291	307	299	298
105	334	432	484	505	505
110	444	559	641	686	690
115	542	660	781	848	857
120	641	763	899	991	998
125	742	846	991	1102	1122
130	833	934	1094	1200	1227
135	936	1017	1159	1278	1328
140	1022	1089	1235	1349	1400
145	1122	1171	1314	1401	1443
150	1198	1242	1349	1459	1474
155	1243	1284	1367	1452	1479
160	1282	1316	1362	1427	1457
165	1289	1347	1373	1395	1395
170	1371	1358	1363	1375	1387
175	1328	1351	1411	1399	1399
180	1353	1353	1353	1353	1353



0
45
90
Lamp (2) 32w T8

Lumens: 2900 Per Lamp

Optical Distribution:
100% Indirect

Day-O-Lite reserves the right to change product specifications without notice for product improvement.