

## Features

The PTP DI architectural linear series is an extraordinarily efficient steel luminaire. The PTP DI is designed with direct and indirect distribution for suspended mounting. This series can be mounted individually, in perfectly aligned continuous rows or in any of combination of patterns. This series is available with direct and indirect lamp control and almost limitless variety of down light shielding. The PTP series is an ideal solution for open spaces and provides maximum design versatility.

## Specifications

**HOUSING:** Die formed 20 gauge cold rolled steel is 6 1/2" x 6" welded construction, top and bottom of housing have a 3/8" regression for structural rigidity and conformity. Joiner ends are notched below the lamps for ease of installation and continuous baffle appearance. Finished end caps are laser cut 18 gauge cold rolled steel, with no exposed hardware or knockouts. Housing aligners provide precision alignment for continuous rows.

**REFLECTOR:** Both direct and indirect reflectors are die formed 20-gauge cold rolled steel minimum 90% reflectivity finished in high gloss baked white enamel.

**SHIELDING:** Parabolic louver is semi-specular low iridescence aluminum 1 1/2" x 2" O.C. with 24 cells per 4' section for direct lighting element. Indirect is open.

**ELECTRICAL:** Ballast is electronic, universal voltage 120/277, high power factor, thermally protected, sound rated A with less than 10% total harmonic distortion. Luminaires in rows are pre-wired with quick connect through wiring. The minimum number of ballasts will be used unless otherwise specified.

**BALLAST DISCONNECT:** Luminaires are pre-wired with integrated locking disconnects.

**MOUNTING:** Standard Installation is an adjustable self-locking aircraft cable assembly 48" x 3/32" in diameter with 5" canopy. One 16/4 SJT straight 54" cord is supplied with each power feed. Standard pendants are available in 24" lengths. See Mounting Options pages for additional mounting.

**FINISH:** Fixture housing and steel components are finished in baked white enamel applied over a five-stage pretreatment process.

**LAMPS:** Fixtures are provided for use with two to four T8, T5 or T5HO lamps. (Supplied by Others)

**CERTIFICATION:** Luminaires are U. L. Listed, C.S.A. certified and are Union Made in the United States of America. I.B.E.W.

TYPE

## Ordering Guide

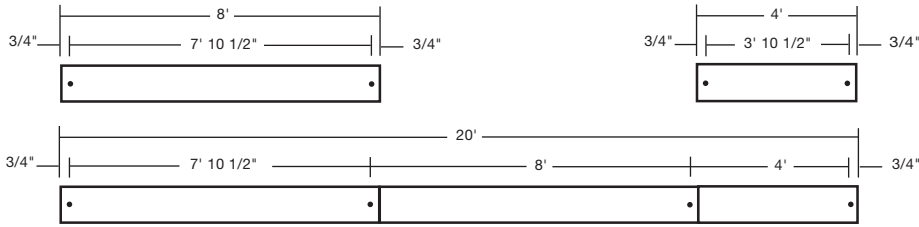
MODEL NO.	DIRECTION	SHIELDING	NUMBER OF LAMPS	LAMPS	MOUNTING	ROW LENGTH	FINISH	VOLTAGE	OPTIONS
<b>PTP</b>	<b>DI</b>								
<b>PTP</b>	<b>DI = Direct/Indirect</b>	<b>PBL =</b> Parabolic Louver <b>SCB =</b> Steel Cross Baffle <b>PRS =</b> Prismatic Acrylic <b>WOA =</b> White Opal Acrylic	<b>1U1D =</b> One Up/One Down <b>1U2D =</b> One Up/Two Down <b>*2U1D =</b> Two Up/One Down <b>*2U2D =</b> Two Up/Two Down <b>*Symmetric Indirect Only</b>	<b>T8</b> <b>T5</b> <b>T5HO</b>	<b>AC =</b> Cable <b>PD =</b> Pendant <b>WM =</b> Wall Mount  Other mounting options available, see pgs. 357-359	<b>2 =</b> 2 ft <b>3 =</b> 3 ft <b>4 =</b> 4 ft <b>5 =</b> 5 ft <b>6 =</b> 6 ft <b>8 =</b> 8 ft  For other, please enter row length (eg. 48 = 48 ft)	<b>W =</b> White <b>CC =</b> Custom Color	<b>UNV =</b> 120/277	<b>PT3 =</b> Parabolic Reflector (for parabolic louver) <b>DIM =</b> Dimming Ballast <b>EPC =</b> Emergency Battery Pack <b>EMC =</b> Emergency Circuit <b>TWC =</b> Two Circuit Wiring <b>OTH =</b> Other options available, see page 355

**Example »** PTP | DI | PBL | 2U2D | T8 | AC | 4 | W | UNV

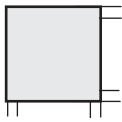
PTP-DI direct/indirect with parabolic louver down and open up for two 32 watt T8 lamp down and two 32 watt T8 lamp up including two 48 inch aircraft cables and power feed four foot fixture finished in baked white enamel universal voltage electronic ballast less than 10% total harmonic distortion.



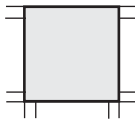
## Linear Sections and Suspension Location



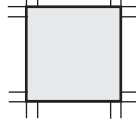
### JOINERS



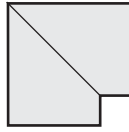
**JB2**  
JB2-90° (Corner)  
Joiner Box



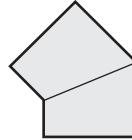
**JB3**  
JB3-3-Way  
(Tee) Joiner Box



**JB4**  
JB4-4-Way (Cross)  
Joiner Box



**C2**  
90° Corner



**( )° AC**  
Angular  
Corner

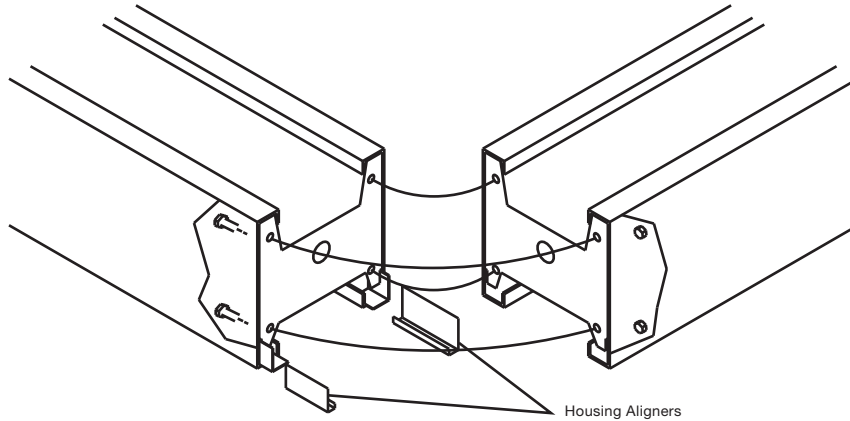
**CORNERS** Corners and fixture extensions are custom fabricated to precise dimensions. Please indicate the specific requirements on the layout

For any angular corner, ( )° must be specified and dimensions must be included on the layout

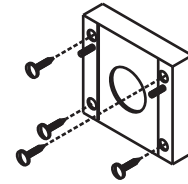
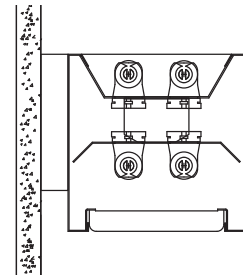
For any pattern, a layout must accompany the order.

## Installation Preparation

### TYPICAL JOINT DETAIL



Housing Aligners



## Photometry

### COEFFICIENTS OF UTILIZATION-ZONAL CAVITY METHOD

pfc = 0.20

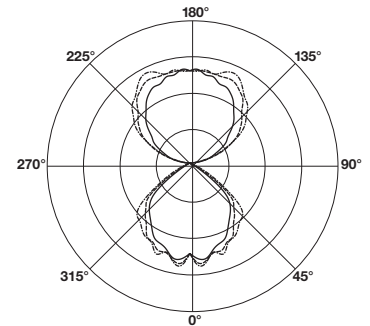
pcc	.8				.7				.5				.3				.1				0
pw	.7	.5	.3	.1	.7	.5	.3	.1	.5	.3	.1	.5	.3	.1	.5	.3	.1	.5	.3	.1	0
<b>RCR</b>																					
0	76	76	76	76	70	70	70	70	57	57	57	46	46	46	35	35	35	30			
1	70	68	65	63	64	62	60	58	51	50	48	41	40	40	31	31	31	27			
2	65	60	56	53	59	55	52	49	46	43	41	37	36	34	27	27	27	24			
3	59	53	48	44	54	49	45	41	41	38	35	33	31	30	23	23	23	21			
4	55	47	42	38	50	44	39	36	37	33	31	30	28	26	21	21	21	18			
5	50	42	37	33	46	39	34	31	33	29	27	27	25	23	18	18	18	16			
6	46	38	33	29	42	35	30	27	30	26	23	25	22	20	16	16	16	14			
7	43	34	29	25	39	32	27	24	27	23	21	22	20	18	14	14	14	13			
8	40	31	26	22	36	29	24	21	25	21	18	21	18	16	13	13	13	12			
9	37	28	23	20	34	26	22	19	23	19	16	19	16	14	11	11	11	11			
10	34	26	21	18	32	24	20	17	21	17	15	17	15	13	10	10	10	10			

Total Luminaire Optical  
Efficiency = 72.5%



### CANDELA DISTRIBUTION

Vert. Angle	0	22.5	45	67.5	90
0	1647	1647	1647	1647	1647
10	1642	1640	1626	1632	1649
20	1507	1530	1528	1526	1513
30	1315	1347	1342	1383	1412
40	1121	1117	1139	1217	1285
50	757	769	836	918	955
60	169	185	249	353	403
70	32.7	24.3	24.1	37.4	49.8
80	8.79	5.62	6.27	6.03	6.38
90	6.40	3.92	4.61	4.46	3.73
100	235	228	193	201	193
110	465	534	522	499	493
120	669	764	837	876	860
130	880	981	1065	1145	1170
140	1074	1154	1280	1336	1380
150	1272	1321	1433	1529	1559
160	1380	1404	1454	1525	1550
170	1420	1415	1472	1459	1482
180	1508	1508	1508	1508	1508



— 0  
- - - 45  
- - - 90

Lamp (4) 32w T8

Lumens: 2900 Per Lamp

Parabolic Louver

Optical Distribution:  
60% Indirect: 40% Direct

Day-O-Lite reserves the right to change product specifications without notice for product improvement.