

Features

The Jazz AP is one variation of a complete family of direct/indirect fluorescent luminaires. Constructed of perforated steel and aluminum extrusions, it features a reveal between modules in continuous rows. The Jazz AP series is fully perforated with 1/16" holes on 3/32" staggered centers. The computer designed optical system creates widespread indirect distribution, while a variety of direct components provides useful contrast.

Specifications

HOUSING: One piece die formed 20-gauge cold rolled steel construction forming a 16" x 3 3/4" rounded profile. Perforated housing is 1/16" x 3/32" staggered centers with white .020 translucent overlay. The housing trim is die formed extruded aluminum with aluminum recessed ends. Decorative connectors join fixtures in rows.

REFLECTOR: Die formed 20 gauge cold rolled steel minimum 90% reflectivity finished in high gloss baked white enamel. Die formed specular reflector is also available.

ELECTRICAL: Ballast is electronic, universal voltage 120/277, high power factor, thermally protected, sound rated A with less than 10% total harmonic distortion. Luminaires in rows are pre-wired with quick connect through wiring. The minimum number of ballasts will be used unless otherwise specified.

BALLAST DISCONNECT: Luminaires are pre-wired with integrated locking disconnects.

MOUNTING: Standard Installation is an adjustable self-locking aircraft cable assembly 48" x 3/32" in diameter with 5" canopy. One 16/4 SJT straight 54" cord is supplied with each power feed. Standard pendants are available in 24" lengths. See Mounting Options pages for additional mounting.

FINISH: Fixture housing and steel components are finished in baked white enamel applied over a five-stage pretreatment process.

LAMPS: Fixtures are provided for use with two T8, T5, T5HO lamps. Also available with 40 watt or 50 watt compact fluorescent lamps. (Supplied by Others)

CERTIFICATION: Luminaires are U.L. Listed, C.S.A. certified and are Union Made in the United States of America I.B.E.W.

TYPE

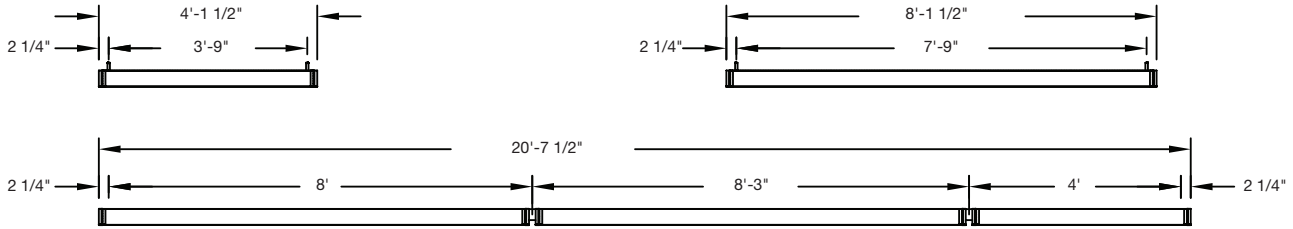
Ordering Guide

MODEL NO.	DIRECTION	NUMBER OF LAMPS	LAMPS	MOUNTING	ROW LENGTH	FINISH	VOLTAGE	OPTIONS
JAZ-AP	DI							
JAZ-AP	DI = Direct/ Indirect	2	T8 T5 T5HO 40CF 50CF	AC=Cable PD=Pendant Other mounting options available, see pgs. 357-359	4 = 4 ft 8 = 8 ft For other, please enter row length (eg. 48 = 48 ft)	W = White CC = Custom Color	UNV = 120/277	DIM = Dimming Ballast EPC = Emergency Battery Pack EMC = Emergency Circuit TCW = Two Circuit Wiring OTH = Other options available, see page 355

Example » JAZ-AP | DI | 2T8 | AC | 4 | W | UNV

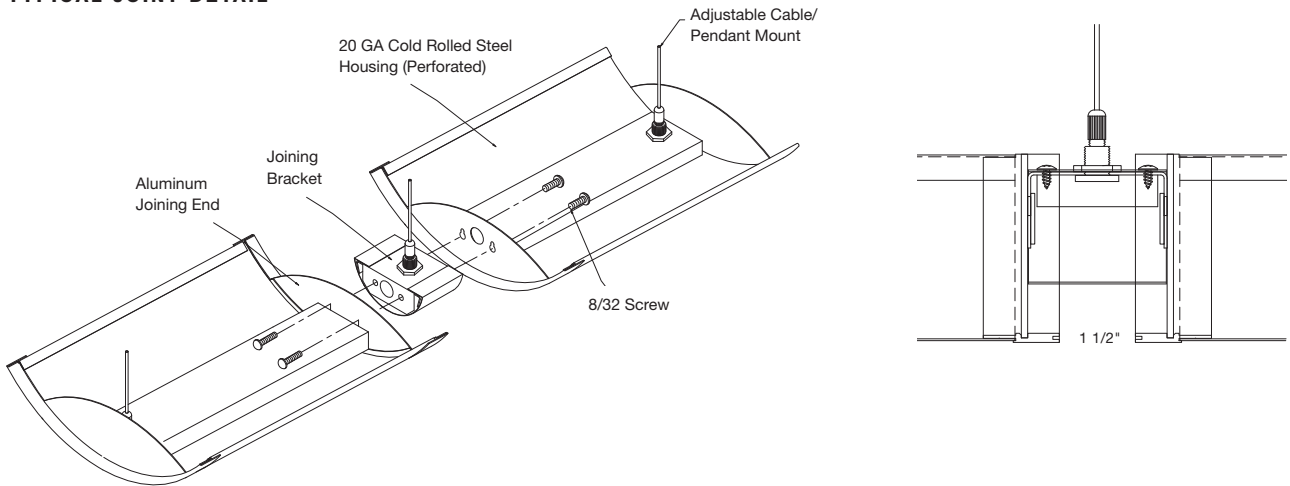
Jazz All Perforated for two 32 watt T8 lamps including two 48 inch aircraft cables and power feed four foot fixture finished in baked white universal voltage electronic ballast less than 10% total harmonic distortion.

Linear Sections and Suspension Location



Installation Preparation

TYPICAL JOINT DETAIL



Photometry

COEFFICIENTS OF UTILIZATION-ZONAL CAVITY METHOD

pfc = 0.20

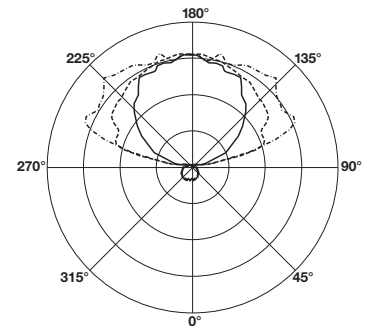
pcc	.8			.7			.5			.3			.1			0		
pw	.7	.5	.3	.1	.7	.5	.3	.1	.5	.3	.1	.5	.3	.1	.5	.3	.1	0
RCR																		
0	87	87	87	87	77	77	77	77	60	60	60	43	43	43	28	28	28	21
1	79	75	72	69	70	67	64	61	51	49	48	37	36	35	22	22	22	17
2	72	65	60	55	63	58	54	50	45	42	39	32	30	29	18	18	18	13
3	65	57	51	46	58	51	46	41	39	35	32	28	26	24	15	15	15	11
4	59	50	44	38	52	45	39	35	35	30	27	25	22	20	13	13	13	9
5	54	44	38	33	48	40	34	29	31	27	23	22	19	17	11	11	11	8
6	50	40	33	28	44	35	30	25	27	23	20	20	17	15	9	9	9	7
7	46	36	29	24	41	32	26	22	25	21	17	18	15	13	8	8	8	6
8	42	32	26	21	38	29	23	19	22	18	15	16	14	11	7	7	7	5
9	39	29	23	19	35	26	21	17	20	16	14	15	12	10	6	6	6	5
10	37	27	20	16	33	24	19	15	19	15	12	14	11	9	6	6	6	4

Total Luminaire Optical Efficiency = 86.1%



CANDELA DISTRIBUTION

Vert. Angle	0	22.5	45	67.5	90
0	353	353	353	353	353
10	380	360	345	360	380
20	339	350	343	337	345
30	313	312	314	317	320
40	281	273	277	280	285
50	229	231	238	238	232
60	189	186	183	193	194
70	130	134	135	144	148
80	84.3	82.4	90.6	99.0	103
90	11.6	33.2	52.1	67.1	71.4
100	148	184	179	198	200
110	377	368	431	507	539
120	581	583	572	642	655
130	753	782	734	727	751
140	889	933	913	889	884
150	1029	1053	1068	1046	1027
160	1136	1130	1154	1165	1174
170	1208	1162	1200	1188	1188
180	1239	1239	1239	1239	1239



— 0
 - - - 45
 - - - 90
 Lamp (2) 32w T8

Lumens: 2900 Per Lamp

Optical Distribution:
 25% Direct: 75 % Indirect