

## Features

The NAS 1712 is a variation of a complete group of Direct/Indirect luminaires featuring a center metal perforated lamp shield with an acrylic overlay panel to obscure direct lamp image. The NAS-1712 sculptured aesthetic form is placed below the ceiling plane. The luminaires are available in surface and suspended mounting. Lamp output is distributed over a computer designed reflector system to provide soft glare-free illumination. The NAS-1712 can be used in any installation where high performance and comfortable lighting are required.

## Specifications

**HOUSING:** Die formed 20-gauge cold rolled steel welded construction forming a sculptured profile finished in baked white enamel. The finished ends are laser cut 16-gauge cold rolled steel, with no exposed hardware or knockouts.

**SHIELDING:** Die formed 20-gauge perforated steel lamp shield has a 58% opening with white acrylic .020 translucent overlay. The end caps are 18-gauge cold rolled steel and welded to lamp shield. The hinged lamp shield is removable for easy lamp access. The shielding is available in 19 different perforation options.

**REFLECTOR:** Die formed .020 steel 90% minimum reflectivity finished in low glare matte baked white enamel.

**ELECTRICAL:** Ballast is electronic, universal voltage 120/277, high power factor, thermally protected, sound rated A with less than 10% total harmonic distortion. The minimum number of ballasts will be used unless otherwise specified.

**BALLAST DISCONNECT:** Luminaires are pre-wired with integrated locking disconnects.

**MOUNTING:** Standard mounting is surface mounted.

**FINISH:** Fixture housing and steel components are finished in baked white enamel applied over a five-stage pretreatment process.

**LAMPS:** Fixtures are provided for use with one compact fluorescent, or one or two T8, T5, and T5HO lamps. (Supplied by Others)

**CERTIFICATION:** Luminaires are U.L. Listed, C.S.A. certified and are Union Made in the United States of America I.B.E.W.

TYPE

## Ordering Guide

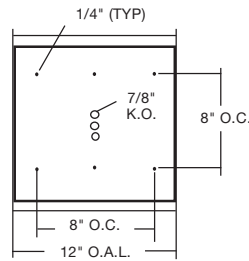
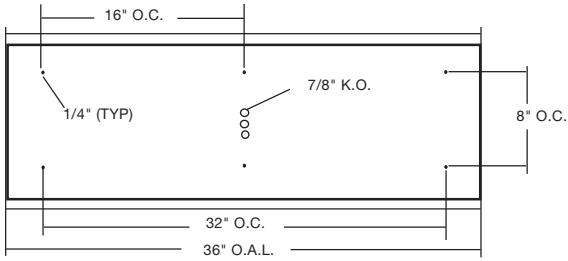
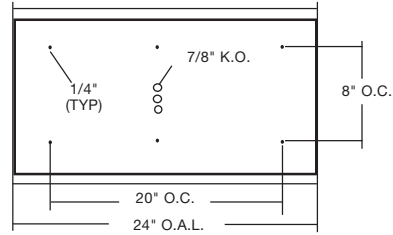
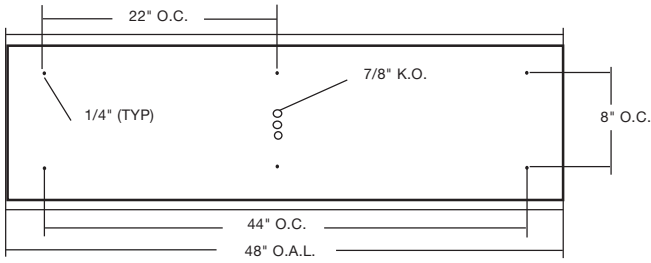
MODEL NO.	SHIELDING OPTIONS	NUMBER OF LAMPS	LAMPS	SIZE	MOUNTING	FINISH	VOLTAGE	OPTIONS
<b>NAS-1712</b>								
NAS-1712	For shielding perforation options, see page 360	1	18CF	1* = CF Lamping only	S = Surface AC = Cable PD = Pendant	W = White CC = Custom Color	UNV = 120/277	DIM = Dimming Ballast EPC = Emergency Battery Pack EMC = Emergency Circuit TCW = Two Circuit Wiring OTH = Other options available, see page 355
		2	T8	2				
			T5	3				
			T5HO	4				

**Example »**    **NAS-1712** | **1** | **T5** | **4** | **S** | **W** | **UNV**

New Age Series with perforated lampshield, one 28 watt T5 lamp, surface mount finished in baked white enamel, universal voltage electronic ballast less than 10% harmonics.

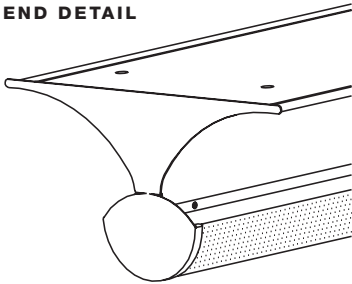


## Linear Sections and Suspension Location

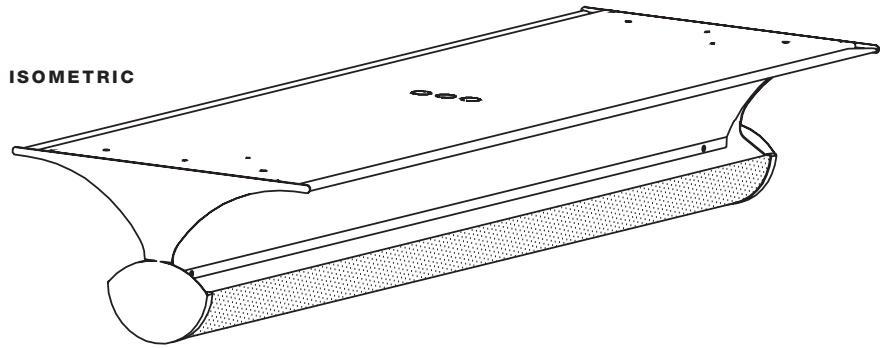


## Installation Preparation

END DETAIL



ISOMETRIC



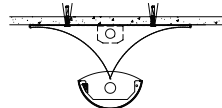
## Photometry

### COEFFICIENTS OF UTILIZATION-ZONAL CAVITY METHOD

pfc = 0.20

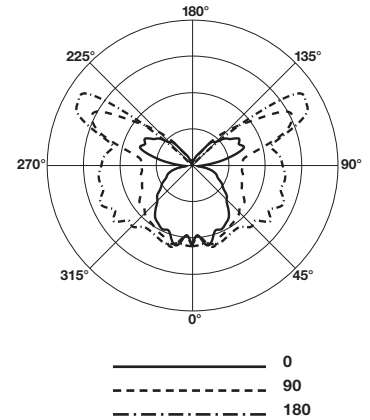
pcc pw	.8			.7			.5			.3			.1			0		
	.7	.5	.3	.7	.5	.3	.5	.3	.1	.5	.3	.1	.5	.3	.1	0		
RCR																		
0	83	83	83	78	78	78	67	67	67	58	58	58	50	50	50	46		
1	72	67	63	59	67	63	59	55	54	51	48	46	44	41	39	37	35	31
2	64	57	51	46	60	53	48	43	45	41	37	39	35	32	32	29	27	24
3	58	49	42	37	54	46	39	34	39	34	30	33	29	26	27	24	22	19
4	53	43	36	30	49	40	33	28	34	29	25	29	25	21	24	21	18	15
5	48	38	31	25	44	35	29	24	30	25	21	26	21	18	21	18	15	13
6	44	34	27	22	41	31	25	20	27	22	18	23	19	15	19	16	13	11
7	41	30	23	19	38	28	22	18	24	19	15	21	16	13	17	14	11	9
8	38	27	21	16	35	26	20	15	22	17	13	19	15	12	16	12	10	8
9	35	25	19	14	32	23	17	14	20	15	12	17	13	10	15	11	9	7
10	33	23	17	13	30	21	16	12	18	14	11	16	12	9	13	10	8	6

Total Luminaire Optical  
Efficiency = 76.1%



### CANDELA DISTRIBUTION

Vert. Angle	0	22.5	45	67.5	90
0	18.9	18.9	18.9	18.9	18.9
10	13.6	41.5	46.9	37.0	12.3
20	13.4	72.2	105	80.9	13.3
30	20.5	106	99.4	107	20.4
40	20.6	92.9	83.2	93.2	21.9
50	24.8	74.9	63.3	71.6	22.9
60	26.4	51.1	42.8	53.2	25.1
70	25.1	31.2	32.2	30.5	19.0
80	11.8	17.1	21.4	17.7	11.1
90	3.23	12.2	17.3	12.3	4.57
100	68.1	43.5	49.5	45.9	65.5
110	138	121	106	110	143
120	220	202	185	209	220
130	284	301	286	301	284
140	346	384	351	377	354
150	401	408	428	440	418
160	481	469	477	451	483
170	465	516	513	508	491
180	518	518	518	518	518



Lamp (1) 32w T8

Lumens: 2900 Per Lamp

Optical Distribution:  
60% Direct 40% Indirect

Day-O-Lite reserves the right to change product specifications without notice for product improvement.