

Features

The Equator 1923 is a round series of low profile luminaires spun of aluminum to enhance its thin profile. The Equator series can be suspended, surface mounted, grid and flanged, capable of being recessed in a dry wall or sheet rock ceiling allowing the designer total flexibility. The convex white opal acrylic shielding gives a soft glow while preventing the unsightly lamp images that would take away from the aesthetics of the illuminated area. The Equator series provides excellent lighting and allows the designer's imagination to be its only limitation.

Specifications

- HOUSING:** One piece spinning. The standard diameters are two, three, and four feet. The door frame is constructed of a one piece spinning for a clean seamless appearance.
- REFLECTOR:** Die formed 20-gauge cold rolled steel minimum 90% reflectivity finished in high gloss baked white enamel.
- DIFFUSER:** Standard diffuser is a convex white opal acrylic lens.
- ELECTRICAL:** Ballast is electronic, universal voltage 120/277, high power factor, thermally protected, sound rated A with less than 10% total harmonic distortion. The minimum number of ballasts will be used unless otherwise specified.
- BALLAST DISCONNECT:** Luminaires are pre-wired with integrated locking disconnects.
- MOUNTING:** Standard installation is surface mount. Optional mountings include pendant, aircraft cable, flanged, and grid mount. Consult factory for details.
- FINISH:** Fixture housing and steel components are finished in baked white enamel applied over a five-stage pretreatment process.
- LAMPS:** Fixtures are provided for use with T8-U lamps, T5, T5HO or compact fluorescent lamps. (Supplied by Others).
- CERTIFICATION:** Luminaires are U.L. Listed, C.S.A. certified and are Union Made in the United States of America I.B.E.W.

TYPE

Ordering Guide

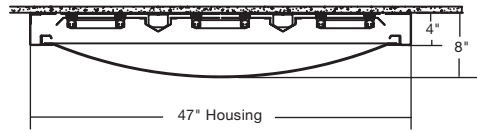
MODEL NO.	NOMINAL DIAMETER	DIFFUSER	NUMBER OF LAMPS	LAMPS	MOUNTING	FINISH	VOLTAGE	OPTIONS
EQ1923								
EQ1923	2 = 2 ft 3 = 3 ft 4 = 4 ft	WOA = White Opal Acrylic Convex	3 4 5	T8U/6" 39CF 40CF 50CF T8 T5 T5HO Consult factory for lamp fit availability.	S = Surface AC = Cable PD = Pendant Other mounting options available, see pgs. 357-359	W = White CC = Custom Color	UNV = 120/277	DIM = Dimming Ballast EPC = Emergency Battery Pack EMC = Emergency Circuit TCW = Two Circuit Wiring OTH = Other options available, see page 355

Example » EQ1923 | 4 | WOA | 5T8/U6 | S | W | UNV

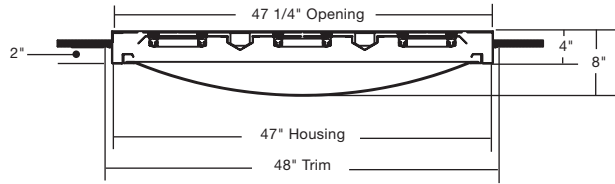
Equator 1923 aluminum construction direct with convex white opal acrylic diffuser for five 32 watt T8-6"-U-lamps surface mounted four foot round fixture in baked white enamel universal voltage electronic ballast less than 10% harmonic distortion.

Mounting Options

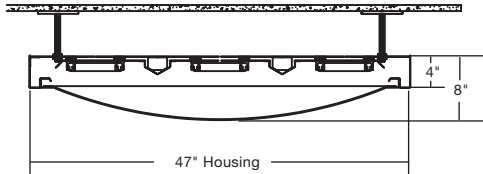
SURFACE



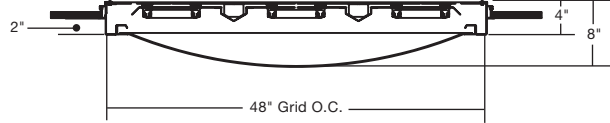
FLANGED



SUSPENDED

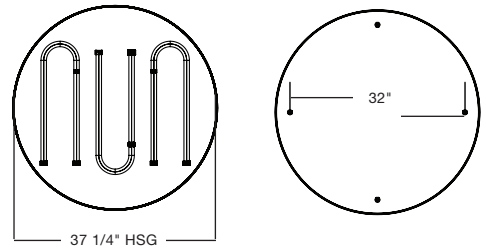
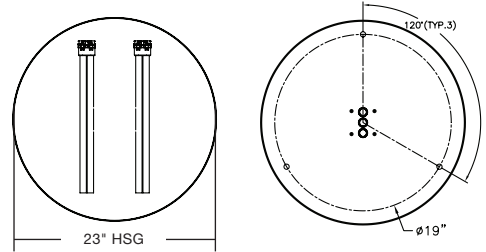
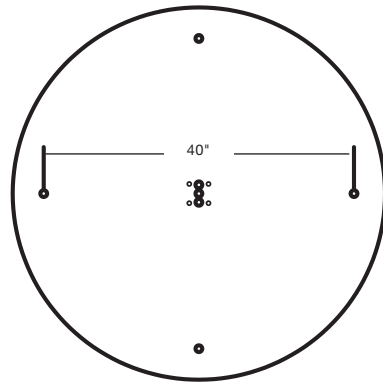
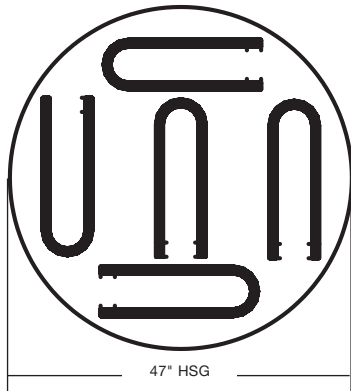


GRID



LAMP CONFIGURATION DETAIL

TYPICAL MOUNTING DETAIL



Photometry

COEFFICIENTS OF UTILIZATION-ZONAL CAVITY METHOD

pfc = 0.20

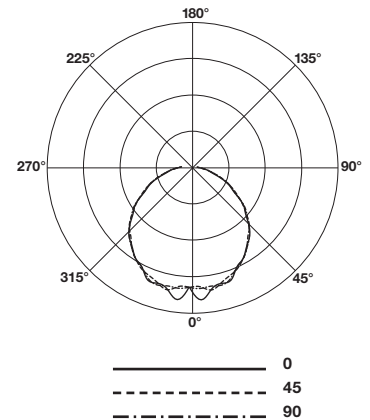
pcc pw	.8				.7				.5				.3				.1				0													
	.7	.5	.3	.1	.7	.5	.3	.1	.5	.3	.1	.5	.3	.1	.5	.3	.1	.5	.3	.1	.5	.3	.1	.5	.3	.1	.5	.3	.1	.5	.3	.1		
RCR																																		
0	80	80	80	80	78	78	78	78	74	74	74	70	70	70	67	67	67	65																
1	71	67	63	60	69	65	62	58	61	59	56	58	56	54	55	53	52	50																
2	64	57	51	47	61	55	50	46	52	48	44	50	46	43	47	44	42	40																
3	58	49	43	38	55	48	42	37	45	40	36	43	39	35	41	37	34	32																
4	52	43	37	31	50	42	36	31	40	35	30	38	33	29	36	32	29	27																
5	48	38	32	27	46	37	31	26	35	30	26	34	29	25	32	28	25	23																
6	44	34	28	23	43	33	27	23	32	26	22	30	26	22	29	25	21	20																
7	41	31	25	20	39	30	24	20	29	23	20	28	23	19	26	22	19	17																
8	38	28	22	18	37	27	22	18	26	21	17	25	20	17	24	20	17	15																
9	35	26	20	16	34	25	20	16	24	19	15	23	19	15	22	18	15	14																
10	33	24	18	14	32	23	18	14	22	17	14	21	17	14	21	16	13	12																

Total Luminaire Optical Efficiency = 51.5%



CANDELA DISTRIBUTION

Vert. Angle	0	22.5	45	67.5	90
0	2280	2280	2280	2280	2280
5	2524	2370	2275	2388	2308
10	2355	2293	2364	2311	2291
15	2284	2277	2278	2232	2317
20	2283	2216	2196	2249	2254
25	2101	2116	2130	2106	2102
30	2013	2005	2016	1992	2018
35	1869	1870	1883	1941	1885
40	1757	1739	1715	1747	1756
45	1595	1571	1602	1573	1586
50	1383	1408	1412	1403	1418
55	1238	1228	1221	1234	1251
60	990	1022	1032	1018	1000
65	831	826	853	830	855
70	643	628	667	656	673
75	446	472	489	476	482
80	340	333	334	324	345
85	204	221	197	203	221
90	136	141	143	138	124



Lamp (5) F32w T8U6
Lumens: 2700 Per Lamp

Optical Distribution:
100% Direct

Day-O-Lite reserves the right to change product specifications without notice for product improvement.