

Features

The NAS-ERA is one variation of a complete group of Recessed Direct luminaires featuring a metal perforated lamp shield with an acrylic overlay to obscure direct lamp image. The perforated lamp shield is asymmetrically positioned above the ceiling plane. Lamp output is distributed over a computer designed reflector system to provide soft glare-free illumination. The NAS-ERA series can be used in any installation where high performance and comfortable lighting are required.

Specifications

HOUSING: Die formed 20-gauge cold rolled steel finished in baked white enamel. Housing has an access plate on top with two 7/8" diameter knockouts.

SHIELDING: Die formed 20 gauge perforated steel lamp shield has a 58% opening with white acrylic .020 translucent overlay. The hinged lamp shield is removable for easy lamp access.

REFLECTOR: Die formed .020 steel 90% minimum reflectivity finished in low glare matte baked white enamel.

ELECTRICAL: Ballast is electronic, universal voltage 120/277, high power factor, thermally protected, sound rated A with less than 10% total harmonic distortion. The minimum number of ballasts will be used unless otherwise specified.

BALLAST DISCONNECT: Luminaires are pre-wired with integrated locking disconnects.

MOUNTING: Standard installation is 2 x 2 exposed inverted T-bar ceiling. Optional trims are also available for installations in miniature grid, drywall or plaster ceiling. For mounting detail information consult factory. Four support brackets are included with each fixture.

FINISH: Fixture housing and steel components are finished in baked white enamel applied over a five-stage pretreatment process.

LAMPS: Fixtures are provided for use with T8, T5, T5HO, or compact fluorescent lamps. (Supplied by Others)

CERTIFICATION: Luminaires are U.L. Listed, C.S.A. certified and are Union Made in the United States of America I.B.E.W.

TYPE

Ordering Guide

MODEL NO.	NUMBER OF LAMPS	LAMPS	SIZE	MOUNTING	FINISH	VOLTAGE	OPTIONS
NAS-ERA			22				
NAS-ERA	1 2	40-CF 50-CF T8 T5 T5HO	22 = 2 x 2	G = Standard Lay-in Grid MG = Miniature Grid F = Flanged	W = White CC = Custom Color	UNV = 120/277	DIM = Dimming Ballast EPC = Emergency Battery Pack EMC = Emergency Circuit ARS = Air return system FWH = Flexible wiring harness SPEC = Full Semi-Specular Aluminum Reflector OTH = Other options available, see page 355

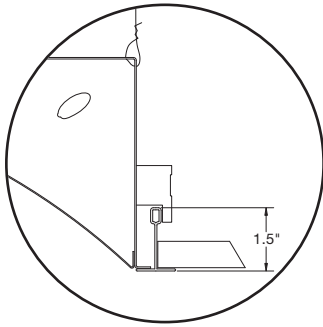
Example » NAS-ERA | 140CF | 22 | G | W | UNV

New Age Series with perforated lamp shield one 40 watt compact fluorescent 2 x 2 grid fixture finished in baked white enamel universal voltage electronic ballast less than 10% harmonics.



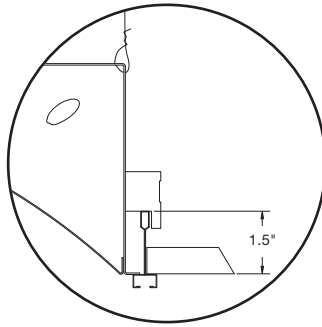
Linear Sections and Suspension Location

MOUNTING "G"



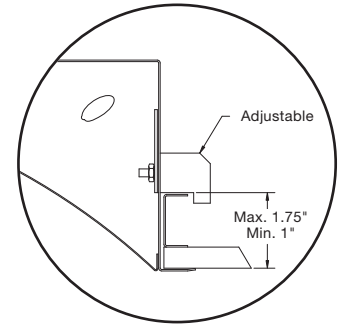
Std. 1 1/2" Inverted "T" Bar

MOUNTING "MG"



1 1/2" Miniature Grid Ceiling

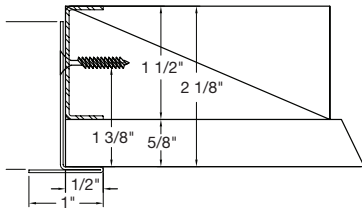
MOUNTING "F"



Plaster Or Dry Wall Ceiling
(Optional)

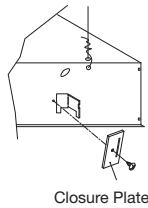
Installation Preparation

Plaster Frame Detail (All 4 Sides)



2' x 2' Plaster Frame Kit
Dry Wall Ceiling Aperture
25" x 25"

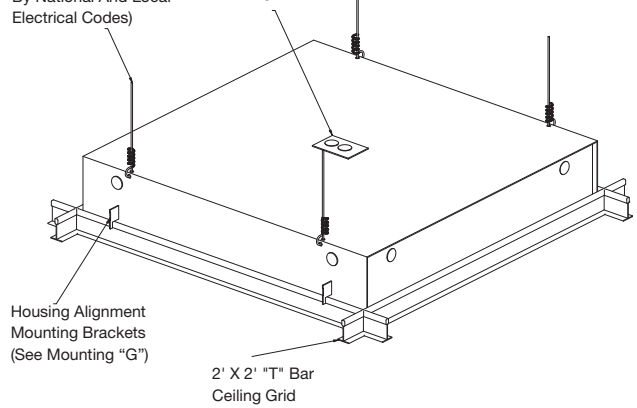
Side Elevation Detail
(See Mounting "G")



Closure Plate

Wire Ties Or Chains
(By Others As Required
By National And Local
Electrical Codes)

Quick Access
Wiring Plate



Housing Alignment
Mounting Brackets
(See Mounting "G")

2' X 2' "T" Bar
Ceiling Grid

Photometry

COEFFICIENTS OF UTILIZATION-ZONAL CAVITY METHOD

pfc = 0.20

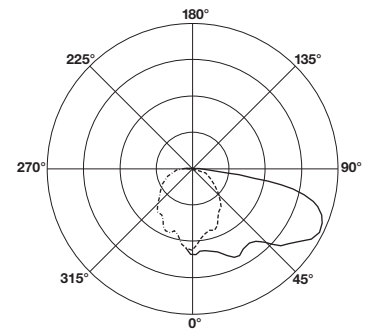
pcc	.8				.7				.5				.3				.1				0																					
pw	.7	.5	.3	.1	.7	.5	.3	.1	.5	.3	.1	.5	.3	.1	.5	.3	.1	.5	.3	.1	.5	.3	.1	.5	.3	.1	.5	.3	.1	.5	.3	.1	.5	.3	.1							
RCR																																										
0	69	69	69	69	67	67	67	67	64	64	64	61	61	61	59	59	59	58	61	61	61	59	59	59	58	58	58	55	55	55	52	52	52	49	49	49	46	46	46	45	45	45
1	61	58	55	52	60	57	54	51	54	52	49	52	50	48	49	48	46	45	49	48	46	45	44	43	42	41	40	39	38	37	36	35	34	33	32	31	30	29	28	28	27	26
2	55	49	44	40	53	48	43	39	45	42	38	43	40	38	42	39	37	35	42	39	37	35	34	33	32	31	30	29	28	27	26	25	24	23	22	21	20	19	18	18	17	16
3	49	42	36	32	47	41	36	31	39	34	31	37	33	30	36	32	30	28	36	32	30	28	27	26	25	24	23	22	21	20	19	18	17	16	15	14	13	12	11	11	10	9
4	44	36	30	26	43	36	30	26	34	29	25	33	28	25	31	28	25	23	31	28	25	23	22	21	20	19	18	17	16	15	14	13	12	11	10	9	8	7	6	6	5	4
5	40	32	26	22	39	31	26	22	30	25	21	29	24	21	28	24	21	19	28	24	21	19	18	17	16	15	14	13	12	11	10	9	8	7	6	5	4	3	2	2	1	1
6	37	29	23	19	36	28	22	18	27	22	18	26	21	18	25	21	18	17	25	21	18	17	16	15	14	13	12	11	10	9	8	7	6	5	4	3	2	1	1	0	0	0
7	34	26	20	16	33	25	20	16	24	19	16	23	19	16	22	19	16	14	22	19	16	14	13	12	11	10	9	8	7	6	5	4	3	2	1	1	0	0	0	0	0	0
8	32	23	18	14	31	23	18	14	22	17	14	21	17	14	21	17	14	13	21	17	14	13	12	11	10	9	8	7	6	5	4	3	2	1	1	0	0	0	0	0	0	0
9	30	21	16	13	29	21	16	13	20	16	12	19	15	12	19	15	12	11	19	15	12	11	10	9	8	7	6	5	4	3	2	1	1	0	0	0	0	0	0	0	0	0
10	28	19	15	11	27	19	14	11	19	14	11	18	14	11	17	14	11	10	17	14	11	10	9	8	7	6	5	4	3	2	1	1	0	0	0	0	0	0	0	0	0	0

Total Luminaire Optical
Efficiency = 58.7%



CANDELA DISTRIBUTION

Vert. Angle	0	22.5	45	67.5	90
0	462	462	462	462	462
5	473	434	457	478	511
10	426	435	505	485	492
15	401	422	467	500	502
20	384	433	482	520	520
25	392	427	472	534	564
30	366	422	485	562	600
35	327	372	455	539	585
40	303	369	468	544	580
45	287	339	456	538	605
50	256	328	447	600	707
55	224	304	431	658	758
60	189	285	447	717	837
65	167	272	461	743	865
70	141	257	485	716	842
75	106	239	422	651	773
80	83.7	180	296	446	553
85	46.5	71.2	81.7	87.4	92.4
90	6.67	7.15	8.48	7.38	6.83



— 0
- - - 45
- · - · 90
Lamp (1) 40w C.F.

Lumens: 3150 Per Lamp

Optical Distribution:
100% Direct

Day-O-Lite reserves the right to change product specifications without notice for product improvement.