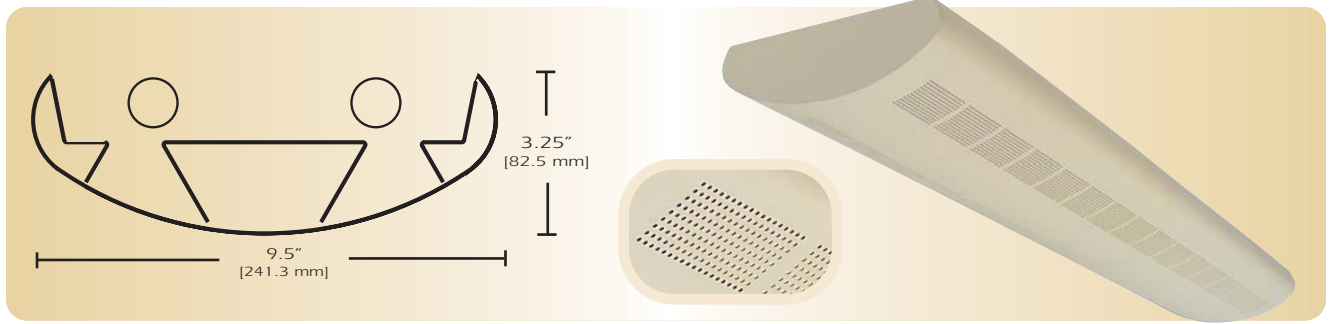


Generation Series 1

G1-DI-2



TYPE _____

FEATURES

The G1-DI-2 is one variation of a complete family of suspended linear fluorescent luminaires. The G1-DI-2 is a direct/indirect version of the family of luminaires. The computer designed optical system creates a widespread indirect distribution while the variety of direct components provides contrast. The low profile and modern design provide excellent efficiency and styling where high performance and uniform lighting are required.

SPECIFICATIONS

Housing: One piece die formed 20-gauge cold rolled steel welded construction forming a 9.50" x 3.25" rounded profile. Perforated cluster sections are 1/16" diameter x 3/32" straight centers with white .020 translucent overlay. Finished end caps are laser cut 16-gauge cold rolled steel, with no exposed hardware or knockouts. Aligner brackets are provided to eliminate light leaks and for precision alignment of continuous rows.

Reflector: Die formed 20-gauge cold rolled steel minimum 90% reflectivity finished in high gloss baked white enamel with die formed .025 specular anodized aluminum side reflectors.

Electrical: Ballast is electronic, high power factor, thermally protected class P, sound rated A, with less than 20% total harmonic distortion. The minimum number of ballasts will be used unless otherwise specified.

Mounting: Standard Installation is an adjustable self-locking aircraft cable assembly 48" x 3/32" in diameter with 5" canopy. One 16/4 SJT straight 54" cord is supplied with each power feed. Standard pendants are available in 24" lengths. See Accessories for additional mounting.

Finish: Fixture housing and steel components are finished in baked white enamel applied over a five-stage pretreatment process.

Lamps: Fixtures are provided for use with one, two or three 32 watt T8 lamps or 54 watt T5 HO lamps. (Supplied by Others)

Certification: Luminaires are U. L. Listed, C. S. A. certified and are Union Made in the United States of America I.B.E.W.

ORDERING GUIDE

MODEL NO.	DIRECTION	SHIELDING	LAMPS	MOUNTING	LENGTH	FINISH	VOLTAGE	OPTIONS
G1	- DI	- 2	- <input type="checkbox"/>	- <input type="checkbox"/>	- <input type="checkbox"/>	- <input type="checkbox"/>	- <input type="checkbox"/>	- <input type="checkbox"/>
G1	DI= Direct/Indirect	2= Perforated Cluster	132T8 232T8 332T8 154T5 HO 254T5 HO 354T5 HO O= Other Specify	AC= Cable PD= Pendant See Accessories	4= 4 ft 8= 8 ft 12= 12 ft for other, please enter row length (eg. 48=48ft)	W= White CC= Custom Color	120v 277v	See Options Below

Example: **G1-DI-2-232T8-AC-4-W-277V**

Generation One with perforated cluster sections with opal overlay for two 32 watt T8 lamps with two 48 inch aircraft cables and power feed four foot fixture finished in baked white enamel with 277v electronic ballast less than 20% total harmonic distortion.

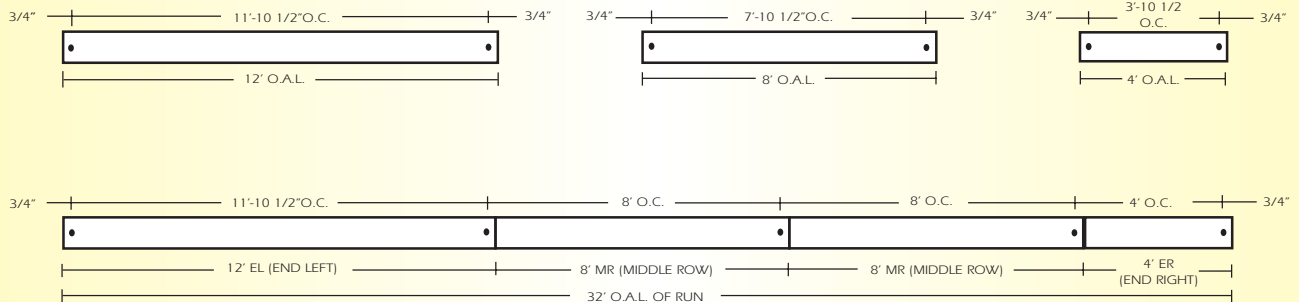
OPTIONS

- E10=** Electronic ballast, high power factor, thermally protected class P, sound rated A, < 10% total harmonic distortion
- DIM=** Dimming Ballast
- EPC=** Emergency Battery Pack
- EMC=** Emergency Circuit
- TCW=** Two Circuit Wiring
- TDW=** Tandem Wiring
- QCW=** Quick Connect Wiring
- OTH=** See Accessories for other options available

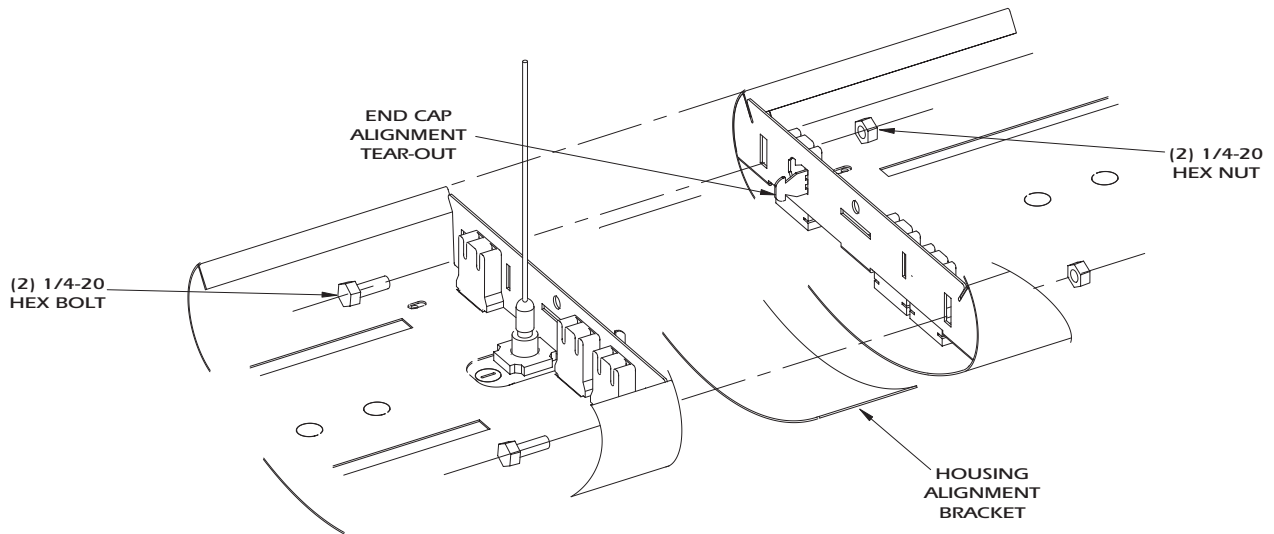
Generation Series 1

G1-DI-2

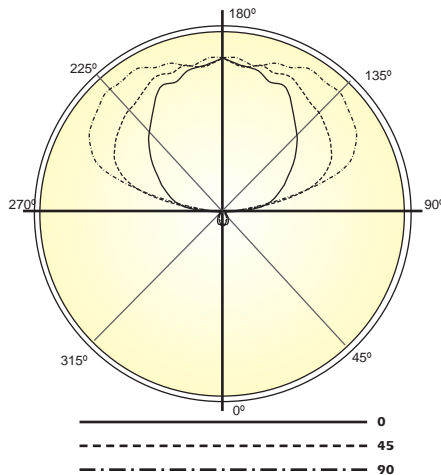
LINEAR SECTIONS AND SUSPENSION LOCATION



INSTALLATION PREPARATION



PHOTOMETRY



Candela Distribution:

Vert. Angle	0	22.5	45	67.5	90
0	88	88	88	88	88
5	94	105	108	95	104
15	92	97	96	77	82
25	92	84	64	59	66
45	55	44	32	30	25
55	37	31	20	20	19
65	23	17	12	14	17
75	23	15	13	8	6
85	45	30	20	8	4
95	199	229	163	131	119
105	299	505	684	693	683
115	434	622	875	1034	1076
125	591	712	955	1112	1168
135	728	822	995	1168	1217
145	858	924	1018	1184	1187
155	1002	1026	1090	1158	1129
165	1055	1047	1085	1105	1102
175	1107	1081	1053	1059	1150
180	1108	1108	1108	1108	1108

Optical Distribution:
96% Indirect: 4% Direct

Coefficients of Utilization - Zonal Cavity Method:

pfc = 0.20

	.8	.7	.5	.3	.1	0												
pw	.7	.5	.3	.1	.5	.3	.1	.5	.3	.1	0							
RCR																		
0	82	82	82	82	71	71	71	71	49	49	49	30	30	30	12	12	12	3
1	75	71	68	65	64	61	59	56	43	41	40	26	25	24	10	10	9	2
2	68	62	57	53	58	53	49	46	37	35	33	22	21	20	9	8	8	2
3	62	54	49	44	53	47	42	38	33	30	27	20	18	17	8	7	7	2
4	56	48	42	37	48	41	36	32	29	26	23	17	16	14	7	6	6	1
5	51	42	36	31	44	37	31	27	26	22	20	15	14	12	6	5	5	1
6	47	38	31	27	40	33	27	23	23	19	17	14	12	10	5	4	4	1
7	43	34	27	23	37	29	24	20	20	17	15	12	10	9	5	4	4	1
8	40	30	24	20	34	26	21	18	18	15	13	11	9	8	4	4	3	1
9	37	27	21	17	32	24	19	15	17	13	11	10	8	7	4	3	3	1
10	34	25	19	15	29	22	17	13	15	12	10	9	7	6	4	3	2	0



Total Luminaire Optical Efficiency = 85.6%