

## Features

JAZ-1716 is the newest addition to our Jazz series. The JAZ-1716 adds a new unique appearance in today's modern applications. JAZ-1716-WM wall mount complements the suspended version. JAZ-1716 is the ideal luminaire for any installation where high performance and comfortable lighting are required.

## Specifications

**HOUSING:** One piece die formed 20-gauge cold rolled steel housing, welded construction forming a 3 1/2" x 12 7/8" curved profile. Flat end plates are standard. Perforated upper sides with an integrated steel cross baffle provide a unique appearance.

**SHIELDING:** White acrylic .020 translucent overlay for perforated area.

**REFLECTOR:** Die formed 20-gauge cold rolled steel minimum 90% reflectivity finished in baked white enamel.

**ELECTRICAL:** Ballast is electronic, low-profile, universal voltage 120/277, high power factor, thermally protected, sound rated A with less than 10% total harmonic distortion. Luminaires in rows are pre-wired with quick connect through wiring. The minimum number of ballasts will be used unless otherwise specified. Please consult factory for lamp/ballast availability.

**BALLAST DISCONNECT:** Luminaires are pre-wired with integrated locking disconnects.

**MOUNTING:** Standard installation is an adjustable self locking aircraft assembly 48" x 3/32" with a 5" canopy. One 16/4 SJT straight 54" cord is provided per power feed location. Standard pendants are available in 24" lengths. JAZ-1716-WM, wall mount also available. See Mounting Options pages for additional mounting.

**FINISH:** Fixture housing and steel components are finished in baked white enamel applied over a five-stage pretreatment process.

**LAMPS:** Fixtures are provided for use with T5, T5HO or T8 lamps. (Supplied by Others)

**CERTIFICATION:** Luminaires are U.L. Listed, C.S.A. certified and are Union Made in the United States of America. I.B.E.W.

TYPE

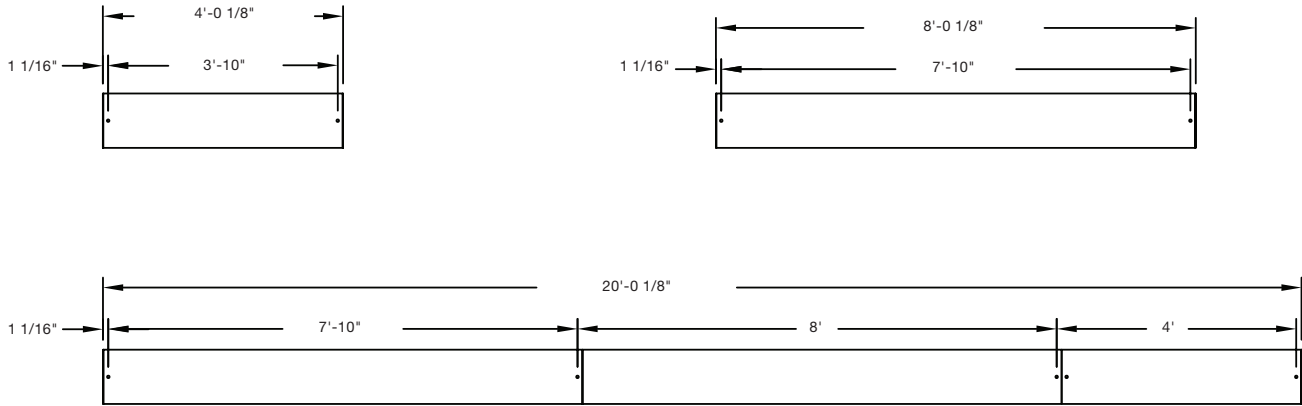
## Ordering Guide

MODEL NO.	DIRECTION	NUMBER OF LAMPS	LAMPS	MOUNTING	ROW LENGTH	FINISH	VOLTAGE	OPTIONS
<b>JAZ-1716</b>	<b>DI</b>							
<b>JAZ-1716</b>	<b>DI</b> = Direct/ Indirect	1 2 3	<b>T5</b> <b>T5HO</b> <b>T8</b>	<b>AC</b> = Cable <b>PD</b> = Pendant <b>WM</b> = Wall Mount Other mounting options available, see pgs. 357-359	4 = 4 ft 8 = 8 ft For other, please enter row length (eg. 48 = 48 ft)	<b>W</b> = White <b>CC</b> = Custom Color	<b>UNV</b> = 120/277	<b>DIM</b> = Dimming Ballast <b>EPC</b> = Emergency Battery Pack <b>EMC</b> = Emergency Circuit <b>TCW</b> = Two Circuit Wiring <b>OTH</b> = Other options available, see page 355

**Example »** JAZ-1716 | DI | 3T5HO | AC | 4 | W | UNV

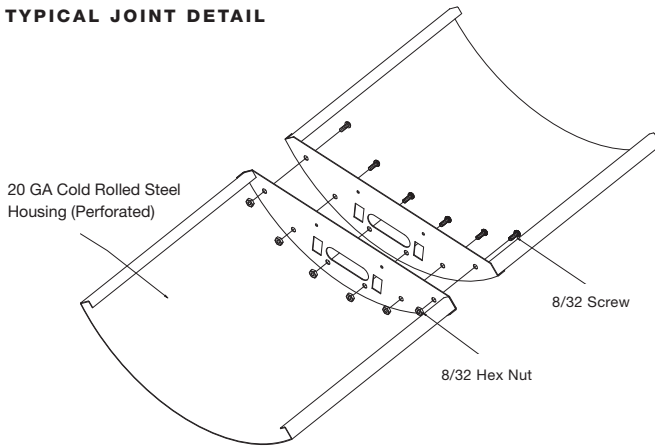
JAZ-1716 direct indirect with three 54 watt T5HO lamps, aircraft cable mounted 4' fixture, finished in baked white enamel, universal voltage electronic ballast less than 10% total harmonic distortion.

## Linear Sections and Suspension Location

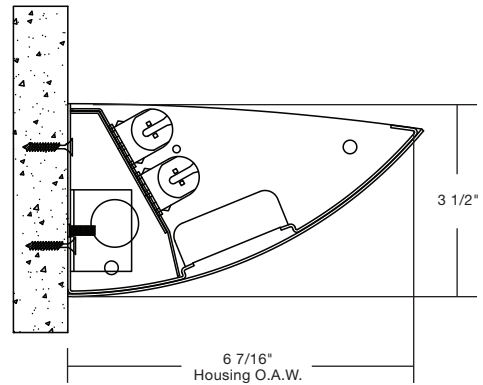


## Installation Preparation

### TYPICAL JOINT DETAIL



### WALL MOUNT



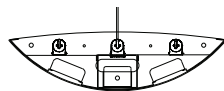
## Photometry

### COEFFICIENTS OF UTILIZATION-ZONAL CAVITY METHOD

pfc = 0.20

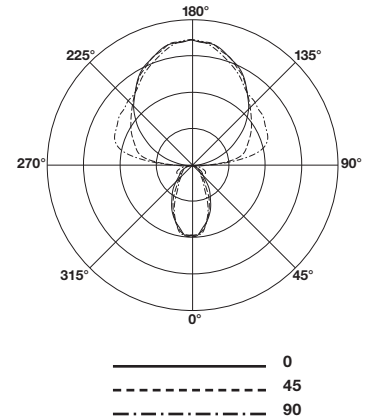
pcc	.8				.7				.5				.3				.1				0
pw	.7	.5	.3	.1	.7	.5	.3	.1	.5	.3	.1	.5	.3	.1	.5	.3	.1	.5	.3	.1	0
<b>RCR</b>																					
0	89	89	89	89	79	79	79	79	59	59	59	41	41	41	25	25	25	18			
1	81	77	74	71	71	68	65	63	51	50	48	36	35	34	22	21	21	15			
2	74	67	62	58	65	60	55	52	45	42	40	32	30	29	19	19	18	12			
3	67	59	53	48	59	53	47	43	40	36	34	28	26	24	17	16	15	11			
4	61	52	46	41	54	47	41	37	35	32	29	25	23	21	16	14	13	9			
5	56	47	40	35	50	41	36	31	32	28	25	23	20	18	14	13	12	8			
6	52	42	35	30	46	37	31	27	29	25	21	21	18	16	13	12	10	7			
7	48	38	31	26	42	34	28	24	26	22	19	19	16	14	12	10	9	7			
8	44	34	28	23	39	30	25	21	24	20	17	17	14	13	11	9	8	6			
9	41	31	25	20	36	28	22	19	22	18	15	16	13	11	10	9	8	6			
10	38	28	22	18	34	25	20	17	20	16	13	14	12	10	9	8	7	5			

Total Luminaire Optical Efficiency = 89.0%



### CANDELA DISTRIBUTION

Vert. Angle	0	22.5	45	67.5	90
0	653	653	653	653	653
10	605	602	622	623	639
20	504	515	492	476	476
30	375	379	344	291	272
40	266	246	204	180	175
50	161	154	132	122	124
60	124	104	95.8	118	151
70	75.8	72.6	72.7	116	146
80	33.8	38.7	51.7	75.4	88.1
90	9.93	39.5	66.8	91.4	101
100	139	273	460	566	599
110	330	404	567	719	771
120	512	546	657	766	804
130	691	687	742	815	829
140	837	841	843	861	860
150	984	994	976	942	944
160	1078	1097	1082	1055	1041
170	1161	1157	1167	1151	1139
180	1186	1186	1186	1186	1186



Lamp (2) 32w T8

Lumens: 2900 Per Lamp

Optical Distribution:  
20% Direct: 80% Indirect

Day-O-Lite reserves the right to change product specifications without notice for product improvement.