

Features

The G7 is a new addition to our family of direct/indirect luminaires. The G7 features a full length cross blade baffle with side perforated diffusers. The G7 is made for today's modern applications. G7 is the ideal luminaire for any installation where high performance and comfortable lighting are required.

Specifications

HOUSING: Die formed 20-gauge cold rolled steel forming a 3 1/4" x 9 1/2" rounded profile. The finish ends are laser cut 16-gauge cold rolled steel with no exposed hardware or knockouts.

SHIELDING: Die formed cross blade louver with perforated side diffusers. Finished in baked white enamel.

REFLECTOR: Die formed 20-gauge cold rolled steel minimum 90% reflectivity finished in baked white enamel.

ELECTRICAL: Ballast is electronic, universal voltage 120/277, high power factor, thermally protected, sound rated A with less than 10% total harmonic distortion. Luminaires in rows are pre-wired with quick connect through wiring. The minimum number of ballasts will be used unless otherwise specified.

BALLAST DISCONNECT: Luminaires are pre-wired with integrated locking disconnects.

MOUNTING: Standard installation is an adjustable self locking aircraft assembly 48" x 3/32" with a 5" canopy. One 16/4 SJT straight 54" cord is provided per power feed location. Standard pendants are available in 24" lengths. G7-WM, wall mount also available. See accessories for additional mounting.

FINISH: Fixture housing and steel components are finished in baked white enamel applied over a five-stage pretreatment process.

LAMPS: Fixtures are provided for use with T5, T5HO or T8 lamps. (Supplied by Others)

CERTIFICATION: Luminaires are U.L. Listed, C.S.A. certified and are Union Made in the United States of America. I.B.E.W.

TYPE

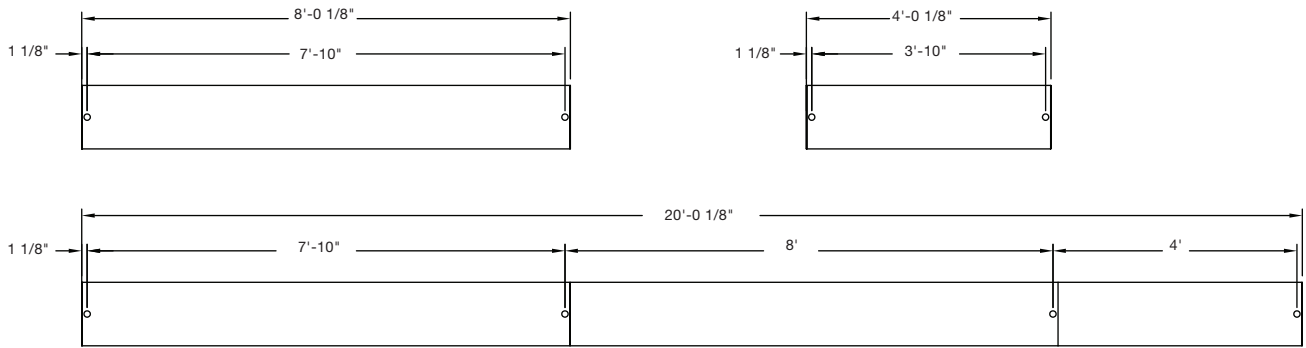
Ordering Guide

MODEL NO.	DIRECTION	NUMBER OF LAMPS	LAMPS	MOUNTING	ROW LENGTH	FINISH	VOLTAGE	OPTIONS
G7	DI							
G7	DI = Direct/ Indirect	1* 2 * Wall Mount	T5 T5HO T8	AC = Cable PD = Pendant WM = Wall Mount	4 = 4 ft 8 = 8 ft For other, please enter row length (eg. 48 = 48 ft)	W = White CC = Custom Color	UNV = 120/277	DIM = Dimming Ballast EPC = Emergency Battery Pack EMC = Emergency Circuit TCW = Two Circuit Wiring OTH = Other options available, see page 355

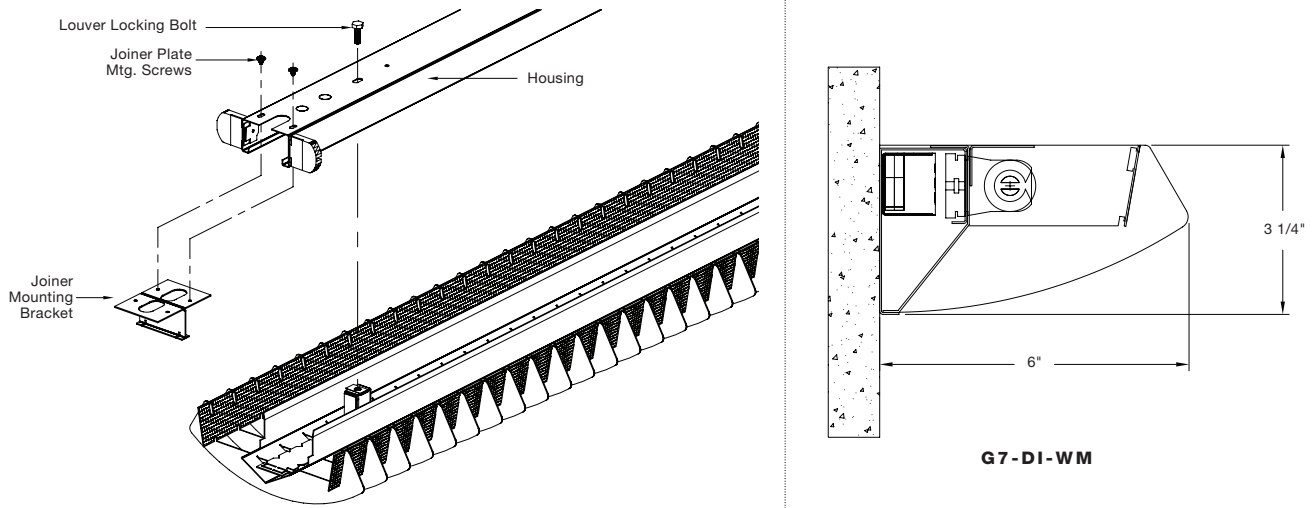
Example » G7 | DI | 2T8 | AC | 4 | W | UNV

G7 direct indirect for two 32 watt T8 lamps, aircraft cable mounted 4' fixture, finished in baked white enamel, universal voltage electronic ballast less than 10% total harmonic distortion.

Linear Sections and Suspension Location



Installation Preparation



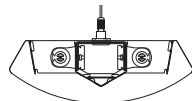
Photometry

COEFFICIENTS OF UTILIZATION-ZONAL CAVITY METHOD

pfc = 0.20

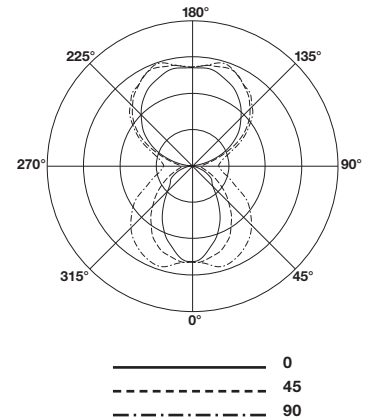
pcc	.8				.7				.5				.3				.1				0
pw	.7	.5	.3	.1	.7	.5	.3	.1	.5	.3	.1	.5	.3	.1	.5	.3	.1	.5	.3	.1	0
RCR																					
0	90	90	90	90	82	82	82	82	67	67	67	54	54	54	42	42	42	36			
1	81	77	74	71	74	71	68	65	58	56	54	47	45	44	36	35	34	29			
2	74	67	62	57	67	61	57	53	51	47	44	41	38	36	31	30	28	24			
3	67	59	52	47	61	54	48	44	44	40	37	36	33	30	28	26	24	20			
4	61	52	45	40	56	48	42	37	39	35	31	32	28	26	25	22	20	17			
5	56	46	39	34	51	42	36	32	35	30	27	28	25	22	22	20	18	15			
6	52	41	34	29	47	38	32	27	32	27	23	26	22	19	20	17	15	13			
7	48	37	30	26	43	34	28	24	28	24	20	23	20	17	18	16	14	11			
8	44	34	27	22	40	31	25	21	26	21	18	21	18	15	17	14	12	10			
9	41	31	24	20	37	28	23	19	24	19	16	19	16	13	15	13	11	9			
10	38	28	22	18	35	26	20	17	22	17	14	18	14	12	14	12	10	8			

Total Luminaire Optical Efficiency = 85.7%



CANDELA DISTRIBUTION

Vert. Angle	0	22.5	45	67.5	90
0	725	725	725	725	725
10	684	698	724	756	755
20	587	613	689	762	804
30	467	519	614	709	771
40	332	388	498	625	710
50	230	267	376	523	612
60	191	196	260	393	495
70	121	134	166	274	344
80	50.2	66.5	104	206	254
90	9.06	31.2	92.8	181	223
100	114	124	157	234	253
110	261	295	295	344	349
120	398	449	469	484	497
130	507	574	600	626	629
140	604	673	697	710	719
150	678	721	769	767	766
160	723	756	794	804	821
170	753	745	775	774	776
180	746	746	746	746	746



Lamp (2) 32w T8

Lumens: 2900 Per Lamp

Optical Distribution:
40% Direct: 60% Indirect

Day-O-Lite reserves the right to change product specifications without notice for product improvement.