

Features

The PTP architectural linear series is an extraordinarily efficient steel luminaire. The PTP D WM is designed for wall mounting. This series can be mounted individually, in perfectly aligned continuous rows or in any of combination of patterns. This series is available with an almost limitless variety of shielding. The PTP series is an ideal solution for open spaces and provides maximum design versatility.

Specifications

HOUSING: Die formed 20 gauge cold rolled steel welded construction, bottom of housing has a 3/8" regression for structural rigidity and conformity. Joiner ends are notched below the lamps for ease of installation and continuous baffle appearance. Finished end caps are laser cut 18 gauge cold rolled steel, with no exposed hardware or knockouts. Housing aligners provide precision alignment for continuous rows.

REFLECTOR: Die formed 20-gauge cold rolled steel minimum 90% reflectivity finished in high gloss baked white enamel.

SHIELDING: Parabolic louver is semi-specular low iridescence aluminum 1 1/2" x 2" O.C. with 24 cells per 4' section.

ELECTRICAL: Ballast is electronic, universal voltage 120/277, high power factor, thermally protected, sound rated A with less than 10% total harmonic distortion. Luminaires in rows are pre-wired with quick connect through wiring. The minimum number of ballasts will be used unless otherwise specified.

BALLAST DISCONNECT: Luminaires are pre-wired with integrated locking disconnects.

MOUNTING: Provided with wall mounting brackets measuring 5" square by 1" deep. Finished in white to match housing.

FINISH: Fixture housing and steel components are finished in baked white enamel applied over a five-stage pretreatment process.

LAMPS: Fixtures are provided for use with one, two or three T8, T5 or T5HO lamps. (Supplied by Others)

CERTIFICATION: Luminaires are U. L. Listed, C.S.A. certified and are Union Made in the United States of America. I.B.E.W.

TYPE

Ordering Guide

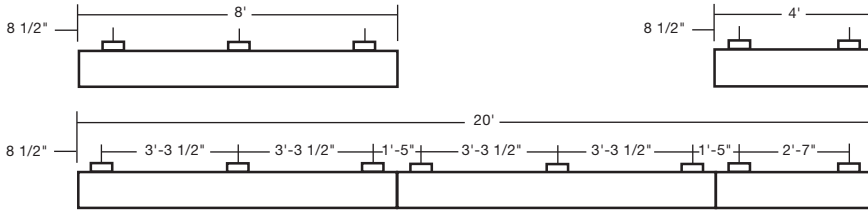
MODEL NO.	DIRECTION	SHIELDING	NUMBER OF LAMPS	LAMPS	MOUNTING	ROW LENGTH	FINISH	VOLTAGE	OPTIONS
PTP	D								
PTP	D = Direct	PBL = Parabolic Louver SCB = Steel Cross Baffle PRS = Prismatic Acrylic WOA = White Opal Acrylic	1 2 3	T8 T5 T5HO	WM = Wall Mount	2 = 2 ft 3 = 3 ft 4 = 4 ft 5 = 5 ft 6 = 6 ft 8 = 8 ft For other, please enter row length (eg. 48 = 48 ft)	W = White CC = Custom Color	UNV = 120/277	PT3 = Parabolic Reflector (for parabolic louver) DIM = Dimming Ballast EPC = Emergency Battery Pack EMC = Emergency Circuit TWC = Two Circuit Wiring OTH = Other options available, see page 355

Example » PTP | D | PBL | 2T8 | WM | 4 | W | UNV

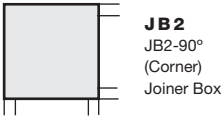
PTP direct with parabolic louver for two 32 watt T8 lamps wall mounted four foot fixture finished in baked white universal voltage electronic ballast less than 10% total harmonic distortion.



Linear Sections and Suspension Location

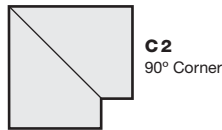


JOINERS



CORNERS

Corners and fixture extensions are custom fabricated to precise dimensions. Please indicate the specific requirements on the layout

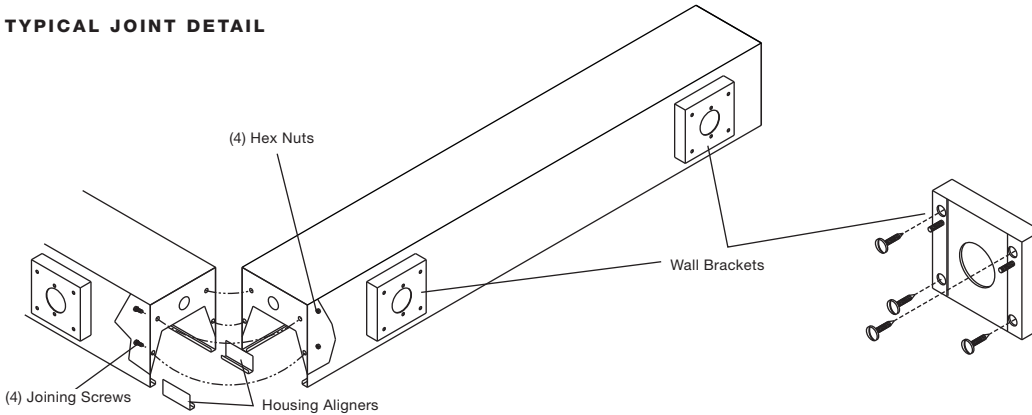


For any angular corner, ()° must be specified and dimensions must be included on the layout

For any pattern, a layout must accompany the order.

Installation Preparation

TYPICAL JOINT DETAIL



Photometry

COEFFICIENTS OF UTILIZATION - ZONAL CAVITY METHOD

pfc = 0.20

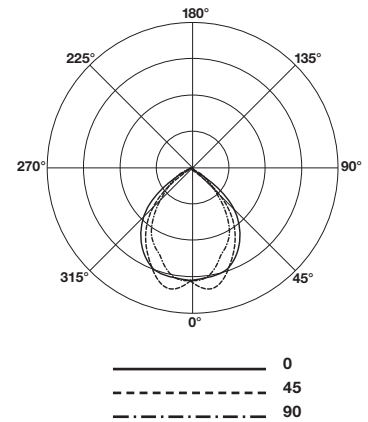
pcc	.8				.7				.5				.3				.1				0
pw	.7	.5	.3	.1	.7	.5	.3	.1	.5	.3	.1	.5	.3	.1	.5	.3	.1	.5	.3	.1	0
RCR																					
0	61	61	61	61	59	59	59	59	57	57	57	57	54	54	54	52	52	52	51		
1	57	55	54	52	56	54	53	51	52	51	50	50	49	48	46	46	46	46			
2	53	50	47	45	52	49	46	44	47	45	43	46	44	42	41	41	41	41			
3	49	45	42	39	48	44	41	39	43	40	38	41	39	37	36	36	36	36			
4	46	41	37	34	45	40	37	34	39	36	34	38	35	33	32	32	32	32			
5	43	37	33	30	42	37	33	30	36	32	30	35	32	30	29	29	29	28			
6	40	34	30	27	39	33	30	27	33	29	27	32	29	27	26	26	26	26			
7	37	31	27	24	36	31	27	24	30	27	24	29	26	24	23	23	23	23			
8	35	29	25	22	34	28	25	22	28	24	22	27	24	22	21	21	21	21			
9	33	26	23	20	32	26	23	20	26	22	20	25	22	20	19	19	19	19			
10	31	25	21	18	30	24	21	18	24	21	18	23	20	18	17	17	17	17			

Total Luminaire Optical
Parabolic Louver
Efficiency = 50.7%



CANDELA DISTRIBUTION

Vert. Angle	0	22.5	45	67.5	90
0	1654	1654	1654	1654	1654
5	1639	1617	1620	1637	1604
10	1536	1573	1583	1591	1582
15	1467	1533	1523	1503	1498
20	1434	1463	1442	1437	1432
25	1368	1377	1343	1351	1375
30	1263	1258	1222	1211	1231
35	1152	1134	1072	1076	1098
40	1024	992	916	898	891
45	879	814	739	702	724
50	655	593	523	539	567
55	370	326	333	405	471
60	128	124	184	315	422
65	36.6	35.5	75.8	174	253
70	14.0	12.0	21.4	52.8	76.4
75	6.88	6.35	7.70	12.3	18.6
80	3.03	3.15	3.44	4.44	4.86
85	1.08	1.16	1.40	1.43	1.18
90	0.16	0.11	0.11	0.18	0.06



Lamp (2) 32w T8

Lumens: 2900 Per Lamp

Parabolic Louver

Optical Distribution:
100% Direct

Day-O-Lite reserves the right to change product specifications without notice for product improvement.