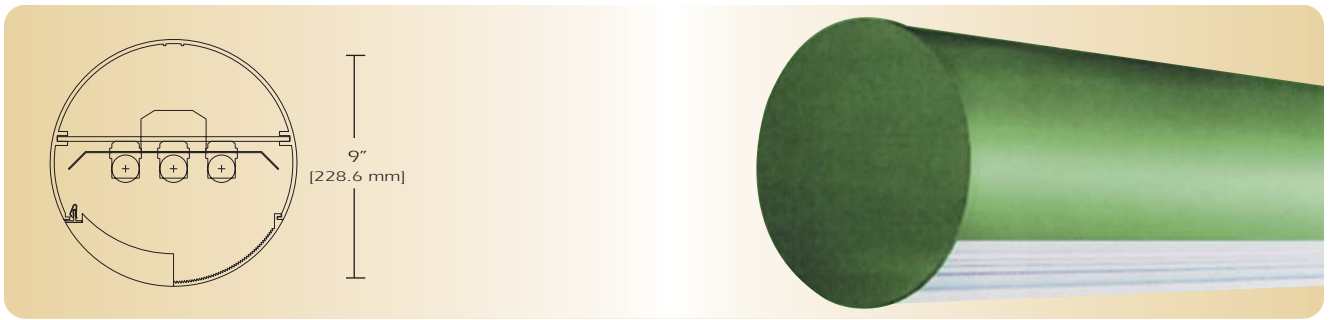


# Rounds

AD-RO9-D



TYPE \_\_\_\_\_

FEATURES

The AD RO9 D series is a direct version of the family of 9" round extruded aluminum luminaires. The series is available with a round clear linear lens or a round radial baffle. The series can be suspended, wall mounted and mounted from wall to wall. These luminaires can be mounted individually, in perfectly aligned continuous rows, or in any combination of patterns. The AD RO 9 D provides an excellent solution for highlighting and accenting areas and items of interest.

SPECIFICATIONS

- Housing:** One piece heavy gauge extruded aluminum 6063T5 alloy welded construction forming a nine-inch round diameter profile. Finished end caps are welded with no exposed hardware or knockouts.
- Reflector:** Die formed 20-gauge cold rolled steel minimum 90% reflectivity finished in high gloss baked white enamel.
- Shielding:** Standard lens is extruded acrylic with linear ribs (ARL) for efficient light distribution. Optional radial aluminum baffle (RAB) is available.
- Electrical:** Ballast is electronic, high power factor, thermally protected class P, sound rated A, with less than 20% total harmonic distortion. The minimum number of ballasts will be used unless otherwise specified.
- Mounting:** Standard installation is an adjustable self-locking aircraft assembly 48" x 3/32" in diameter with 5" canopy. One 1/4 SJT straight 54" cord is supplied with each power feed. Standard pendants are available in 24" lengths. See Accessories for additional mounting.
- Finish:** Fixture housing and steel components are finished in baked white enamel applied over a five-stage pretreatment process.
- Lamps:** Fixtures are provided for use with one, two or three 32 watt T8 lamps or 54 watt T5 HO lamps. (Supplied by Others)
- Certification:** Luminaires are U. L. Listed, C. S. A. certified and are Union Made in the United States of America I.B.E.W.

ORDERING GUIDE

MODEL NO.	DIRECTION	SHIELDING	LAMPS	MOUNTING	LENGTH	FINISH	VOLTAGE	OPTIONS
<b>AD-RO9</b>	<b>D</b>							
<b>AD-RO9</b>	<b>D=Direct</b>	<b>ARL=Acrylic Ribbed Lens</b> <b>RAB=Radial Aluminum Baffle</b>	<b>132T8</b> <b>232T8</b> <b>332T8</b> <b>154T5 HO</b> <b>254T5 HO</b> <b>354T5 HO</b> <b>O=Other Specify</b>	<b>AC= Cable</b> <b>PD= Pendant</b> <b>WM= Wall Mounted</b> <b>WW= Wall to Wall</b> See Accessories	<b>4= 4 ft</b> <b>8= 8 ft</b> for other, please enter row length (eg. 48=48ft)	<b>W= White</b> <b>CC= Custom Color</b>	<b>120v</b> <b>277v</b>	<b>See Options Below</b>

Example: **AD-RO9-D-ARL-332T8-AC-4-W-120V**  
 Example: AD-RO9 direct with acrylic ribbed linear lens for three 32 watt T8 lamps with two 48inch aircraft cables and power feed four foot fixture finished in baked white enamel 120v electronic ballast less than 20% total harmonic distortion.

OPTIONS

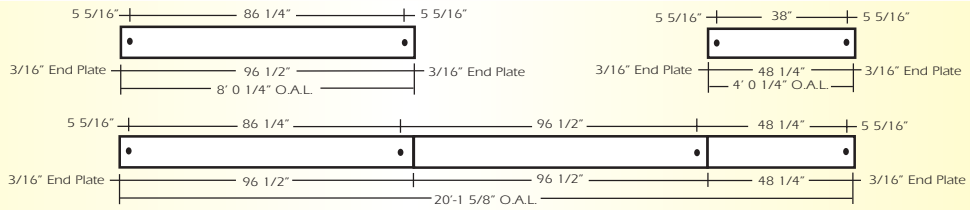
- E10=** Electronic ballast, high power factor, thermally protected class P, sound rated A, < 10% total harmonic distortion
- DIM=** Dimming Ballast
- EPC=** Emergency Battery Pack
- EMC=** Emergency Circuit
- TCW=** Two Circuit Wiring
- TDW=** Tandem Wiring
- OTH=** See Accessories for other options available

# Rounds

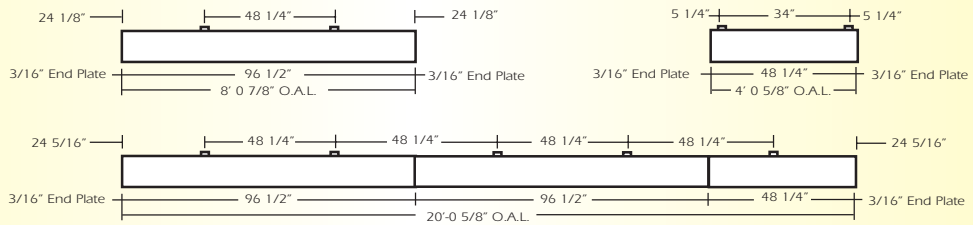
AD-RO9-D

LINEAR SECTIONS AND SUSPENSION LOCATION

## SUSPENSION MOUNTING

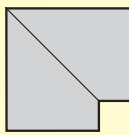


## WALL MOUNTING

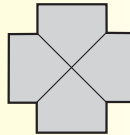


## CORNERS

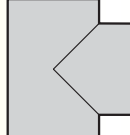
Corners and fixture extensions are custom fabricated to precise dimensions. Please indicate the specific requirements on the layout



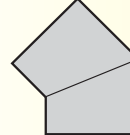
**C2**  
90° Corner



**C4**  
4-Way Corner (Cross)



**C3**  
3-Way Corner (Tee)



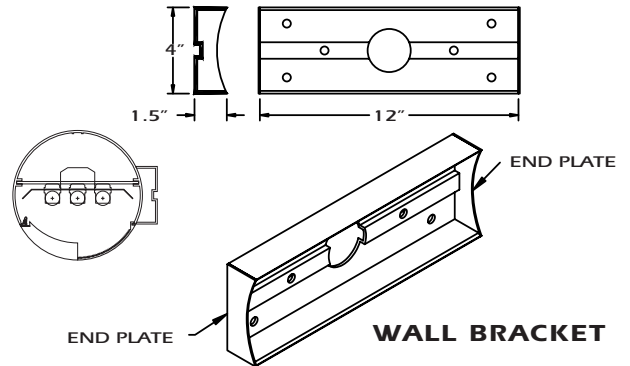
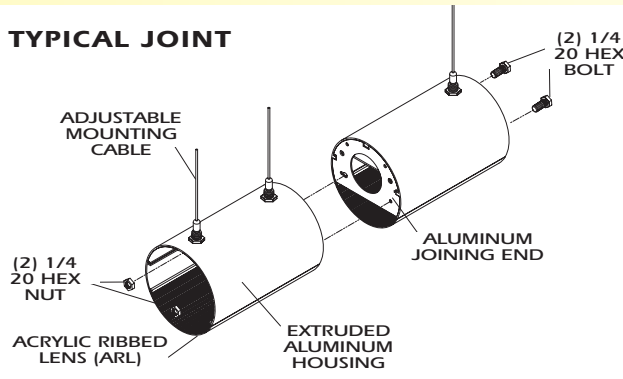
**( )° AC**  
Angular Corner

For any angular corner, ( )° must be specified and dimensions must be included on the layout

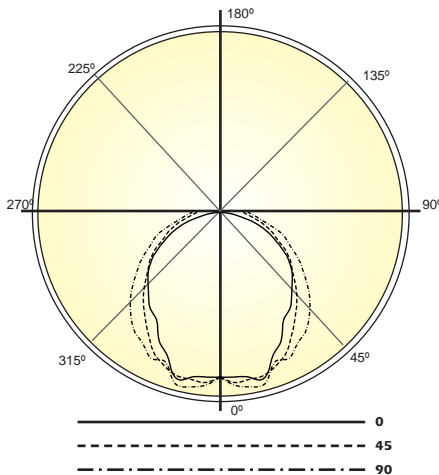
For any pattern, a layout must accompany the order.

INSTALLATION PREPARATION

## TYPICAL JOINT



PHOTOMETRY



LAMP (3) 32W T8  
LUMENS: 2900 PER LAMP  
ARL-LENS

## Candela Distribution:

Vert. Angle	0	22.5	45	67.5	90
0	1435	1435	1435	1435	1435
5	1443	1540	1489	1473	1516
10	1459	1483	1479	1489	1545
15	1497	1449	1472	1438	1538
20	1335	1391	1422	1431	1388
25	1249	1266	1357	1412	1409
30	1098	1162	1246	1313	1336
35	1049	1095	1139	1260	1289
40	973	1000	1043	1219	1207
45	891	917	941	1088	1108
50	820	827	832	997	997
55	731	716	755	847	885
60	614	614	658	731	782
65	502	520	546	635	668
70	396	423	474	528	586
75	264	326	389	439	466
80	145	236	307	360	360
85	54.8	157	246	283	299
90	15.7	112	203	224	241

Optical Distribution:  
100% Direct

## Coefficients of Utilization - Zonal Cavity Method:

pfc = 0.20

pcc	.8	.7	.5	.3	.1	0												
pw	.7	.5	.3	.1	.5	.3	.1	0										
RCR	0	62	62	62	61	61	61	61	58	58	58	56	56	56	53	53	53	52
1	56	53	50	48	54	52	49	47	50	48	46	47	46	44	46	44	43	42
2	51	46	42	39	49	45	41	38	43	40	37	41	39	36	39	37	35	34
3	46	40	35	32	45	39	35	31	38	34	31	36	33	30	35	32	30	29
4	42	35	30	27	41	35	30	27	33	29	26	32	29	26	31	28	25	24
5	39	31	27	23	37	31	26	23	30	26	22	29	25	22	28	24	22	21
6	36	28	23	20	34	28	23	20	27	23	20	26	22	19	25	22	19	18
7	33	26	21	17	32	25	21	17	24	20	17	24	20	17	23	20	17	16
8	31	23	19	16	30	23	19	15	22	18	15	22	18	15	21	18	15	14
9	29	21	17	14	28	21	17	14	20	17	14	20	17	14	19	16	14	13
10	27	20	15	13	26	19	15	13	19	15	12	18	15	12	18	15	12	11



Total Luminaire Optical Efficiency = 53.1%