

Features

Harmony is the newest product within the New Age series. Harmony's contemporary styling and versatility of optics is the ideal luminaire for office, industrial and healthcare applications. Harmony provides enhanced lighting while providing high efficiency. Harmony is available in 2' x 2', 2' x 4' and 1' x 4'.

Specifications

HOUSING: Die formed 20-gauge cold rolled steel housing. Decorative center divider rails are extruded aluminum with specular aluminum inserts to enhance brightness.

SHIELDING: Center diffuser is clear pattern 12 prismatic. Side diffusers are white opal acrylic providing high transmission while obscuring lamp image. Other shielding options are available.

REFLECTOR: Die formed 20-gauge cold rolled steel minimum 90% reflectivity finished in baked white enamel.

ELECTRICAL: Ballast is electronic, low-profile, universal voltage 120/277, high power factor, thermally protected, sound rated A with less than 10% total harmonic distortion. The minimum number of ballasts will be used unless otherwise specified. Please consult factory for lamp/ballast availability.

BALLAST DISCONNECT: Luminaires are pre-wired with integrated locking disconnects.

MOUNTING: Standard installation is in an exposed inverted T-bar ceiling. Fixtures are supplied with four support brackets for additional support to T-bar. See Mounting Options pages for additional mounting.

FINISH: Fixture housing and steel components are finished in baked white enamel applied over a five-stage pretreatment process.

LAMPS: Fixtures are provided for use with T5, T5HO, T8 and compact fluorescent lamps. (Supplied by Others)

CERTIFICATION: Luminaires are U.L. Listed, C.S.A. certified and are Union Made in the United States of America. I.B.E.W.

TYPE

Ordering Guide

MODEL NO.	CENTER SHIELDING	SIDE SHIELDING	NUMBER OF LAMPS	LAMPS	MOUNTING	SIZE	FINISH	VOLTAGE	OPTIONS
HM									
HM	P = Prismatic WA = White Opal Acrylic ML = Micro Linear Lens PF = Perforated Metal with overlay SA = Satin Acrylic Lens	P = Prismatic WA = White Opal Acrylic SA = Satin Acrylic Lens	2 3	T5 T5HO T8 40CF 50CF	G = Grid MG = Miniature Grid F = Flanged	14 = 1 x 4 22 = 2 x 2 24 = 2 x 4	W = White CC = Custom Color	UNV = 120/277	DIM = Dimming Ballast EPC = Emergency Battery Pack EMC = Emergency Circuit TCW = Two Circuit Wiring ARS = Air Return System FWH = Flexible Wiring Harness OTH = Other options available, see page 355

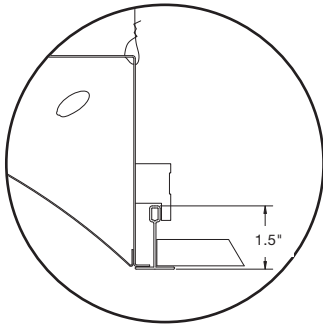
Example » **HM** | **ML** | **WA** | **2** | **T5HO** | **G** | **22** | **W** | **UNV**

Harmony with micro linear center lens and white opal side lenses, two 24 watt T5HO lamps, 2 x 2 fixture grid mounted, finished in baked white enamel, universal voltage electronic ballast less than 10% total harmonic distortion.



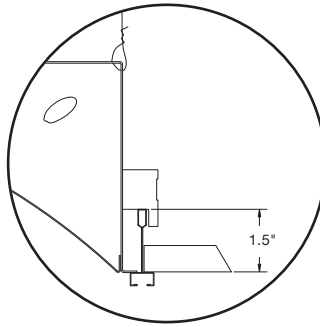
Linear Sections and Suspension Location

MOUNTING "G"



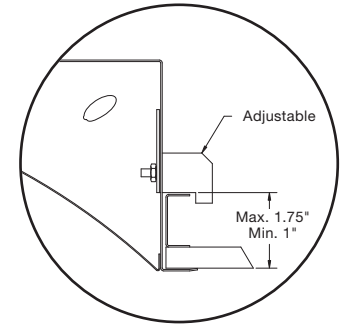
Std. 1 1/2" Inverted "T" Bar

MOUNTING "MG"



1 1/2" Miniature Grid Ceiling

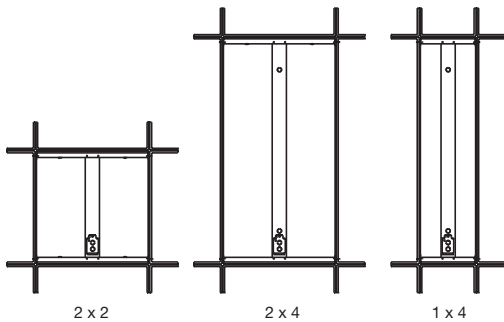
MOUNTING "F"



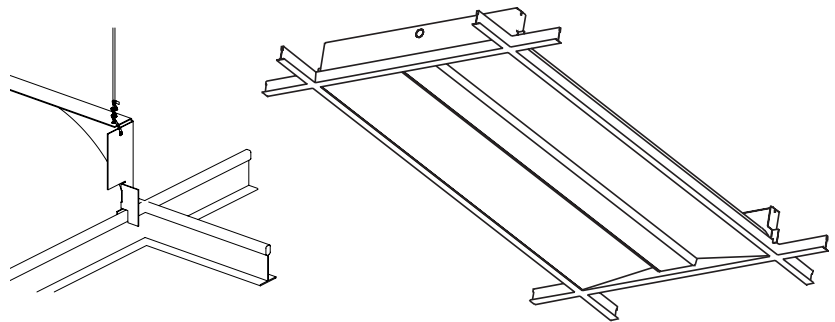
Plaster Or Dry Wall Ceiling
(Optional)

Installation Preparation

TOP VIEW DETAIL



MOUNTING DETAIL



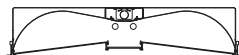
Photometry

COEFFICIENTS OF UTILIZATION-ZONAL CAVITY METHOD

pfc = 0.20

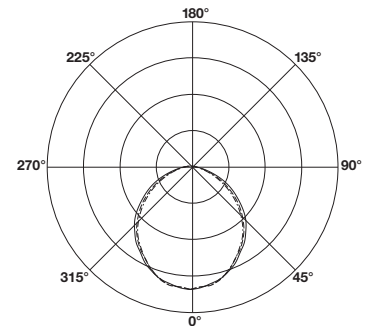
pcc	.8				.7				.5				.3				.1				0
pw	.7	.5	.3	.1	.7	.5	.3	.1	.5	.3	.1	.5	.3	.1	.5	.3	.1	.5	.3	.1	0
RCR																					
0	88	88	88	88	86	86	86	86	82	82	82	79	79	79	75	75	75	74			
1	81	78	75	72	79	76	73	71	73	71	69	70	68	67	64	64	64	63			
2	74	68	64	60	72	67	63	59	64	61	58	62	59	56	54	54	54	53			
3	68	60	55	50	66	59	54	50	57	52	49	55	51	48	46	46	46	45			
4	62	54	47	43	61	53	47	42	51	46	42	49	45	41	39	39	39	39			
5	57	48	42	37	56	47	41	37	46	40	36	44	40	36	34	34	34	34			
6	53	43	37	32	52	43	37	32	41	36	32	40	35	32	30	30	30	30			
7	49	39	33	29	48	39	33	29	38	32	28	37	32	28	27	27	27	27			
8	46	36	30	26	45	36	30	26	35	29	25	34	29	25	24	24	24	24			
9	43	33	27	23	42	33	27	23	32	27	23	31	26	23	21	21	21	21			
10	40	31	25	21	39	30	25	21	30	24	21	29	24	21	19	19	19	19			

Total Luminaire Optical
Efficiency = 73.8%



CANDELA DISTRIBUTION

Vert. Angle	0	22.5	45	67.5	90
0	2951	2951	2951	2951	2951
5	2919	2857	2897	2906	2906
10	2851	2861	2893	2860	2877
15	2790	2787	2782	2803	2803
20	2677	2691	2668	2660	2649
25	2553	2522	2486	2489	2495
30	2382	2377	2343	2313	2316
35	2245	2213	2178	2158	2148
40	2059	2035	1992	1946	1952
45	1879	1831	1771	1729	1716
50	1655	1608	1547	1497	1476
55	1404	1368	1303	1246	1222
60	1171	1128	1051	989	972
65	930	871	800	741	722
70	666	625	559	510	493
75	416	394	345	309	296
80	213	194	169	154	150
85	69.8	61.7	52.1	49.4	50.3
90	7.18	5.00	4.81	5.88	5.87



— 0
- - - 45
- · - · 90

Lamp (2) 54w T5HO
Lumens: 5000 Per Lamp

Optical Distribution:
100% Direct

Day-O-Lite reserves the right to change product specifications without notice for product improvement.