

## Features

The SAL series is a direct version of the family of stack light luminaires. It was designed to illuminate with superior vertical lumen intensity, while in open space applications. The series can be surface mounted or suspended. These luminaires can be mounted individually or in perfectly aligned continuous rows. The SAL provides an excellent solution for lighting and accenting vertical surfaces.

## Specifications

**HOUSING:** One piece die formed 20-gauge cold rolled steel or heavy gauge extruded aluminum 6063T5 alloy welded construction forming a 4 1/4" x 5" or 6 1/4" x 5" baffle profile. No intermediate end caps feature creates an uninterrupted, perfectly aligned continuous row. Finished end caps are welded with no exposed hardware or knockouts.

**REFLECTOR:** Die formed 20-gauge cold rolled steel minimum 90% reflectivity finished in high gloss baked white enamel.

**DIFFUSER:** Standard diffuser is 2 3/8" high steel cross baffle spaced 2" on center finished in baked white enamel.

**ELECTRICAL:** Ballast is electronic, universal voltage 120/277, high power factor, thermally protected, sound rated A with less than 10% total harmonic distortion. Luminaires in rows are pre-wired with quick connect through wiring. The minimum number of ballasts will be used unless otherwise specified.

**BALLAST DISCONNECT:** Luminaires are pre-wired with integrated locking disconnects.

**MOUNTING:** Standard installation is an adjustable self-locking aircraft assembly 48" x 3/32" in diameter with 5" canopy. One 16/4 SJT straight 54" cord is supplied with each power feed. Standard pendants are available in 24" lengths. See Mounting Options pages for additional mounting.

**FINISH:** Fixture housing and steel components are finished in baked white enamel applied over a five-stage pretreatment process.

**LAMPS:** Fixtures are provided for use with one or two T8, T5 or T5HO lamps. (Supplied by Others).

**CERTIFICATION:** Luminaires are U.L. Listed, C.S.A. certified and are Union Made in the United States of America I.B.E.W.

TYPE

## Ordering Guide

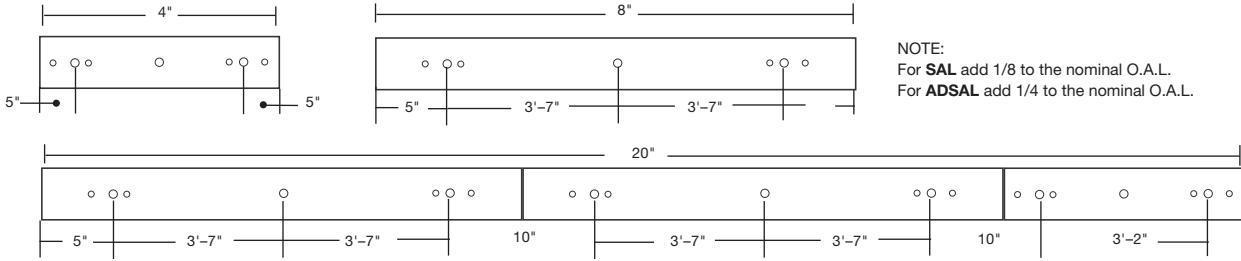
MODEL NO.	DIRECTION	NUMBER OF LAMPS	LAMPS	MOUNTING	ROW LENGTH	FINISH	VOLTAGE	OPTIONS
<b>SAL</b>	<b>D</b>							
<b>SAL</b>	<b>D = Direct</b>	<b>1</b>	<b>T8</b>	<b>AC = Cable</b>	<b>4 = 4 ft</b>	<b>W = White</b>	<b>UNV =</b>	<b>DIM = Dimming Ballast</b>
<b>AD-SAL</b>		<b>2</b>	<b>T5</b>	<b>PD = Pendant</b>	<b>8 = 8 ft</b>	<b>CC = Custom Color</b>	<b>120/277</b>	<b>EPC = Emergency Battery Pack</b>
			<b>T5HO</b>	<b>S = Surface</b>	For other, please enter row length (eg. 48 = 48 ft)			<b>ASD = Aisle Shield</b>
				<b>WM = Wall Mounted</b>				<b>EMC = Emergency Circuit</b>
				Other mounting options available, see pages 357-359				<b>TCW = Two Circuit Wiring</b>
								<b>OTH = Other options available, see page 355</b>

**Example »** ADSAL | D | 2T5HO | AC | 4 | W | UNV

ADSAL aluminum construction direct with cross blade baffles for two 54 watt T5HO lamps including two 48 inch aircraft cables and power feed four foot fixture in baked white enamel universal voltage electronic ballast less than 10% total harmonic distortion.

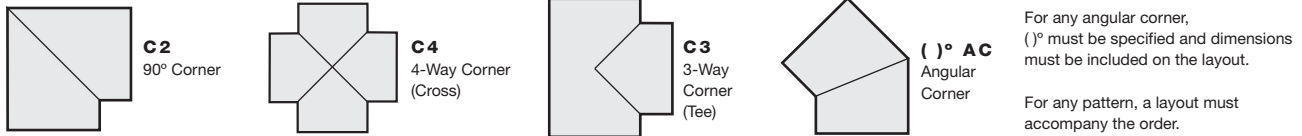
# Linear Sections and Suspension Location

## WALL MOUNTING

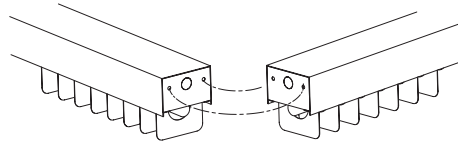


**NOTE:**  
For **SAL** add 1/8 to the nominal O.A.L.  
For **ADSAL** add 1/4 to the nominal O.A.L.

**CORNERS** Corners and fixture extensions are custom fabricated to precise dimensions. Please indicate the specific requirements on the layout.



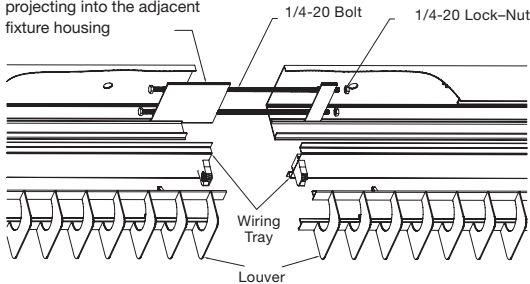
## Installation Preparation



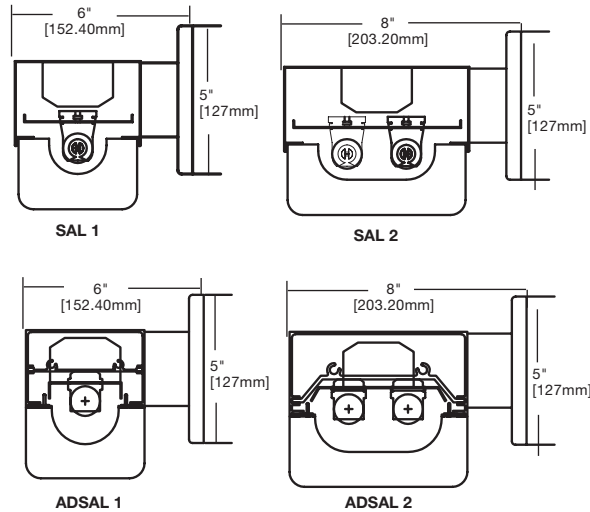
**SAL 1 & SAL 2 Joint Detail** (Secured with screws and nuts)

### ADSAL 1 & ADSAL 2 TYPICAL JOINT DETAIL

Extruded aluminum alignment bracket welded to housing, projecting into the adjacent fixture housing



## WALL INSTALLATION



## Photometry

### COEFFICIENTS OF UTILIZATION-ZONAL CAVITY METHOD

pfc = 0.20

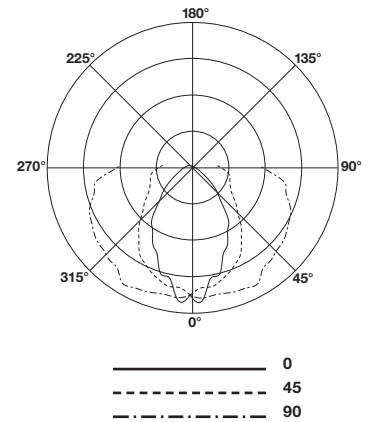
pcc pw	.8			.7			.5			.3			.1			0		
	.7	.5	.3	.7	.5	.3	.5	.3	.1	.5	.3	.1	.5	.3	.1	0		
<b>RCR</b>																		
0	96	96	96	96	93	93	93	93	87	87	87	82	82	82	77	77	77	74
1	85	80	75	71	82	77	73	69	72	68	65	67	64	61	57	57	57	56
2	76	68	61	55	73	65	59	54	61	56	51	57	53	49	45	45	45	44
3	69	59	51	45	66	57	50	44	53	47	42	50	45	40	37	37	37	36
4	63	52	44	37	60	50	43	37	47	40	35	44	38	34	31	31	31	30
5	58	46	38	32	55	45	37	31	42	35	30	39	34	29	26	26	26	26
6	53	41	33	28	51	40	33	27	38	31	26	35	30	25	23	23	23	23
7	49	37	30	24	47	36	29	24	34	28	23	32	27	22	20	20	20	20
8	46	34	27	22	44	33	26	21	31	25	21	30	24	20	18	18	18	18
9	43	31	24	19	41	30	24	19	29	23	19	27	22	18	16	16	16	16
10	40	29	22	17	39	28	22	17	27	21	17	25	20	16	14	14	14	14

Total Luminaire Optical Efficiency = 82.5%



### CANDELA DISTRIBUTION

Vert. Angle	0	22.5	45	67.5	90
0	598	598	598	598	598
10	562	567	588	599	596
20	502	518	562	594	623
30	421	443	503	582	628
40	314	344	413	514	580
50	224	252	336	469	546
60	164	179	282	437	516
70	99.0	145	259	411	473
80	46.5	109	231	365	417
90	13.3	68.1	162	256	285
100	7.05	43.3	89.6	140	148
110	4.34	27.5	48.2	43.6	25.4
120	2.52	16.2	29.6	22.9	6.54
130	0.97	9.01	16.6	13.0	3.81
140	0.46	4.67	9.10	6.76	2.38
150	0.10	2.24	4.07	2.69	1.26
160	0.00	0.46	1.64	0.99	0.39
170	0.00	0.00	0.19	0.09	0.09
180	0.00	0.00	0.00	0.00	0.00



— 0  
- - - 45  
- · - 90  
Lamp (1) 32w T8  
Lumens: 2900 Per Lamp

Optical Distribution:  
10% Indirect: 90% Direct

Day-O-Lite reserves the right to change product specifications without notice for product improvement.