

TYPE _____

FEATURES

The AD RO4 D series is a direct version of the family of 4" round extruded aluminum luminaires. The series is available with a round clear linear lens or a round radial baffle. The series can be suspended, wall mounted and mounted from wall to wall. These luminaires can be mounted individually, in perfectly aligned continuous rows, or in any combination of patterns. The AD RO 4 D provides an excellent solution for highlighting and accenting areas and items of interest.

SPECIFICATIONS

Housing: One piece heavy gauge extruded aluminum 6063T5 alloy welded construction forming a four-inch round diameter profile. Finished end caps are welded with no exposed hardware or knockouts.

Reflector: Die formed 20-gauge cold rolled steel minimum 90% reflectivity finished in high gloss baked white enamel.

Shielding: Standard lens is extruded acrylic with linear ribs (ARL) for efficient light distribution. Optional radial aluminum baffle (RAB) is available.

Electrical: Ballast is electronic, high power factor, thermally protected class P, sound rated A, with less than 20% total harmonic distortion. The minimum number of ballasts will be used unless otherwise specified.

Mounting: Standard installation is an adjustable self-locking aircraft assembly 48" x 3/32" in diameter with 5" canopy. One 16/4 SJT straight 54" cord is supplied with each power feed. Standard pendants are available in 24" lengths. See Accessories for additional mounting.

Finish: Fixture housing and steel components are finished in baked white enamel applied over a five-stage pretreatment process.

Lamps: Fixtures are provided for use with one or two 32 watt T8 lamp or 54 watt T5 HO lamp. (Supplied by Others)

Certification: Luminaires are U. L. Listed, C. S. A. certified and are Union Made in the United States of America I.B.E.W.

ORDERING GUIDE

MODEL NO.	DIRECTION	SHIELDING	LAMPS	MOUNTING	LENGTH	FINISH	VOLTAGE	OPTIONS
AD-RO4	D							
AD-RO4	D=Direct	ARL=Acrylic Ribbed Lens RAB=Radial Aluminum Baffle	132T8 232T8 154T5 HO 254T5 HO	AC= Cable PD= Pendant WM= Wall Mounted WW= Wall to Wall See Accessories	4= 4 ft 8= 8 ft for other, please enter row length (eg. 48=48ft)	W= White CC= Custom Color	120v 277v	See Options Below

Example: **AD-RO4-D-ARL-132T8-AC-4-W-120V**

Example: AD-RO4 direct with acrylic ribbed linear lens for one 32 watt T8 lamps including two 48inch aircraft cables and power feed four foot fixture finished in baked white 120v electronic ballast less than 20% total harmonic distortion.

OPTIONS

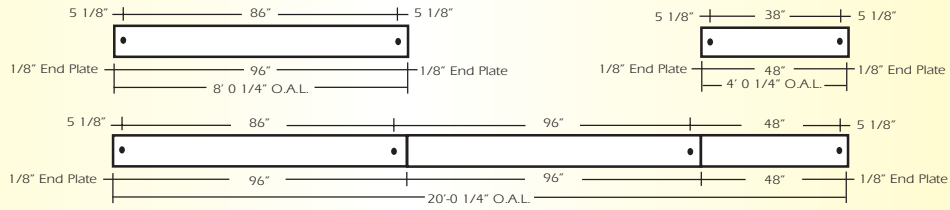
- E10=** Electronic ballast, high power factor, thermally protected class P, sound rated A, < 10% total harmonic distortion
- DIM=** Dimming Ballast
- EPC=** Emergency Battery Pack
- EMC=** Emergency Circuit
- TCW=** Two Circuit Wiring
- TDW=** Tandem Wiring
- OTH=** See Accessories for other options available

Rounds

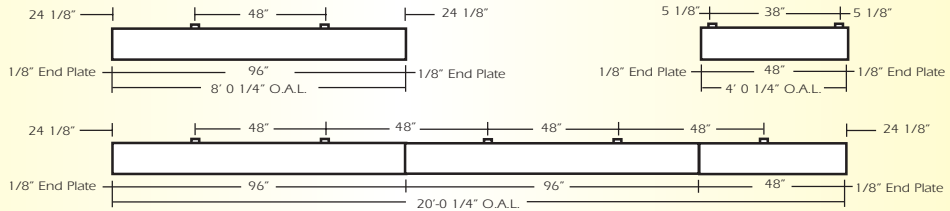
AD-RO4-D

LINEAR SECTIONS AND SUSPENSION LOCATION

SUSPENSION MOUNTING

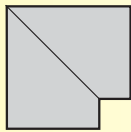


WALL MOUNTING

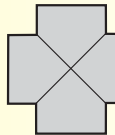


CORNERS

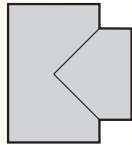
Corners and fixture extensions are custom fabricated to precise dimensions. Please indicated the specific requirements on the layout



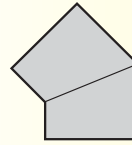
C2
90° Corner



C4
4-Way Corner (Cross)



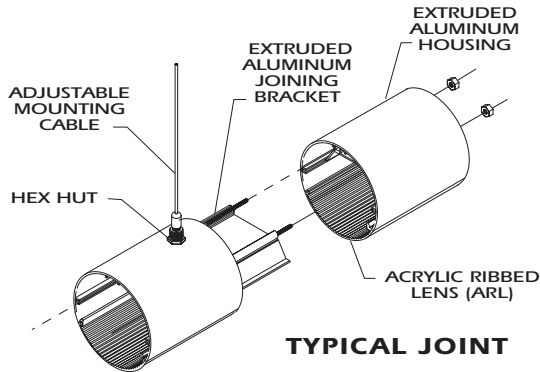
C3
3-Way Corner (Tee)



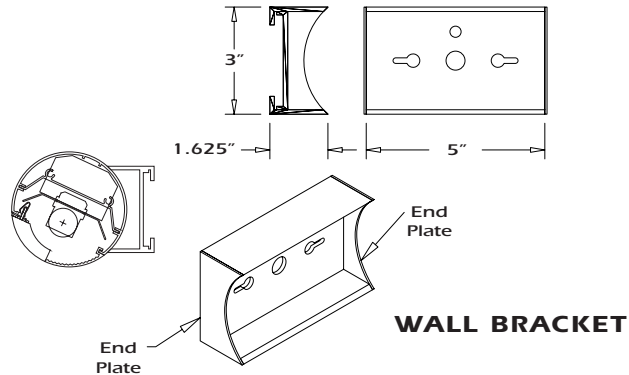
()° AC
Angular Corner

For any angular corner, ()° must be specified and dimensions must be included on the layout
For any pattern, a layout must accompany the order.

INSTALLATION PREPARATION

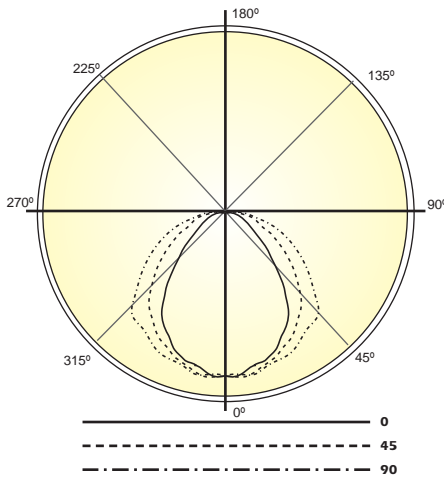


TYPICAL JOINT



WALL BRACKET

PHOTOMETRY



LAMP (1) 32W T8
LUMENS: 2900 PER LAMP
ARL- LENS

Candela Distribution:

Vert. Angle	0	22.5	45	67.5	90
0	667	667	667	667	667
5	640	695	663	666	675
10	637	647	658	672	669
15	619	632	640	656	653
20	603	605	612	628	666
25	538	567	595	610	649
30	510	528	557	601	616
35	427	467	532	567	592
40	338	390	495	555	582
45	267	312	433	498	545
50	195	251	376	447	485
55	146	189	312	405	432
60	111	137	249	334	378
65	85.7	99.7	194	285	305
70	69.3	77.6	149	231	259
75	49.5	57.7	111	181	201
80	31.4	44.7	81.6	137	153
85	18.7	32.5	61.6	101	120
90	12.9	25.1	44.7	71.3	85.0

Optical Distribution:
100% Direct

Coefficients of Utilization - Zonal Cavity Method:

pfc = 0.20

	.8	.7	.5	.3	.1	0												
pw	.7	.5	.3	.1	.7	.5	.3	.1	.5	.3	.1	.5	.3	.1	0			
RCR																		
0	77	77	77	77	74	74	74	74	71	71	71	67	67	67	64	64	64	62
1	70	66	63	61	67	65	62	59	61	59	57	58	57	55	56	54	53	51
2	63	58	53	49	61	56	52	49	54	50	47	51	48	46	49	46	44	43
3	58	51	45	41	56	50	45	41	47	43	40	45	42	39	43	40	38	36
4	53	45	39	35	51	44	39	35	42	38	34	40	36	33	39	35	33	31
5	49	40	35	30	47	39	34	30	38	33	29	36	32	29	35	31	28	27
6	45	36	31	26	44	36	30	26	34	29	26	33	29	25	32	28	25	24
7	42	33	27	23	40	32	27	23	31	26	23	30	26	23	29	25	22	21
8	39	30	25	21	38	30	24	21	28	24	20	27	23	20	27	23	20	19
9	36	28	22	19	35	27	22	19	26	22	18	25	21	18	25	21	18	17
10	34	25	20	17	33	25	20	17	24	20	17	23	19	16	23	19	16	15



Total Luminaire Optical
Efficiency = 65.2%