

Features

The Jazz AP WM is one variation of a complete family of direct/indirect fluorescent luminaires. Constructed of perforated steel and aluminum extrusions, it features a reveal between modules in continuous rows. The Jazz AP WM series is fully perforated with 1/16" holes on 3/32" staggered centers. The computer designed optical system creates widespread indirect distribution, while a variety of direct components provides useful contrast.

Specifications

HOUSING: One piece die formed 20-gauge cold rolled steel construction forming an 8" x 3 3/4" rounded profile. Perforated housing is 1/16" x 3/32" staggered centers with white .020 translucent overlay. The housing trim is die formed extruded aluminum with aluminum recessed ends. Decorative connectors join fixtures in rows.

REFLECTOR: Die formed 20 gauge cold rolled steel minimum 90% reflectivity finished in high gloss baked white enamel. Die formed specular reflector is also available.

ELECTRICAL: Ballast is electronic, universal voltage 120/277, high power factor, thermally protected, sound rated A with less than 10% total harmonic distortion. Luminaires in rows are pre-wired with quick connect through wiring. The minimum number of ballasts will be used unless otherwise specified.

BALLAST DISCONNECT: Luminaires are pre-wired with integrated locking disconnects.

MOUNTING: Standard installation is key slots 36" O.C. for ease of installation.

FINISH: Fixture housing and steel components are finished in baked white enamel applied over a five-stage pretreatment process.

LAMPS: Fixtures are provided for use with one or two T8, T5 or T5 HO lamps. Also available with 40 watt or 50 watt compact fluorescent lamps. (Supplied by Others)

CERTIFICATION: Luminaires are U.L. Listed, C.S.A. certified and are Union Made in the United States of America I.B.E.W.

TYPE

Ordering Guide

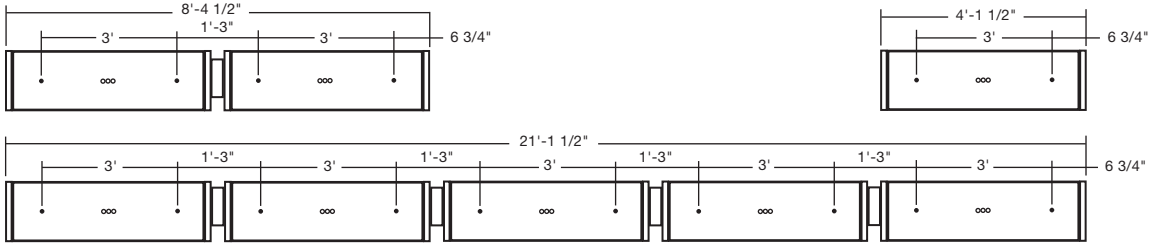
MODEL NO.	DIRECTION	NUMBER OF LAMPS	LAMPS	MOUNTING	ROW LENGTH	FINISH	VOLTAGE	OPTIONS
JAZ-AP	DI							
JAZ-AP	DI = Direct/ Indirect	1 2	T8 T5 T5HO 40CF 50CF	WM = Wall Mount	4 = 4 ft 8 = 8 ft For other, please enter row length (eg. 48 = 48 ft)	W = White CC = Custom Color	UNV = 120/277	DIM = Dimming Ballast EPC = Emergency Battery Pack EMC = Emergency Circuit TCW = Two Circuit Wiring OTH = Other options available, see page 355

Example » JAZ-AP | DI | 2T8 | WM | 4 | W | UNV

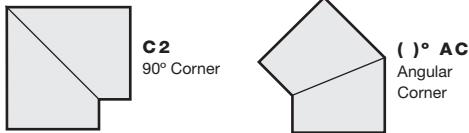
Jazz All Perforated for two 32 watt T8 lamps wall mounted four foot fixture finished in baked white universal voltage electronic ballast less than 10% total harmonic distortion.



Linear Sections and Suspension Location



CORNERS Corners and fixture extensions are custom fabricated to precise dimensions. Please indicate the specific requirements on the layout

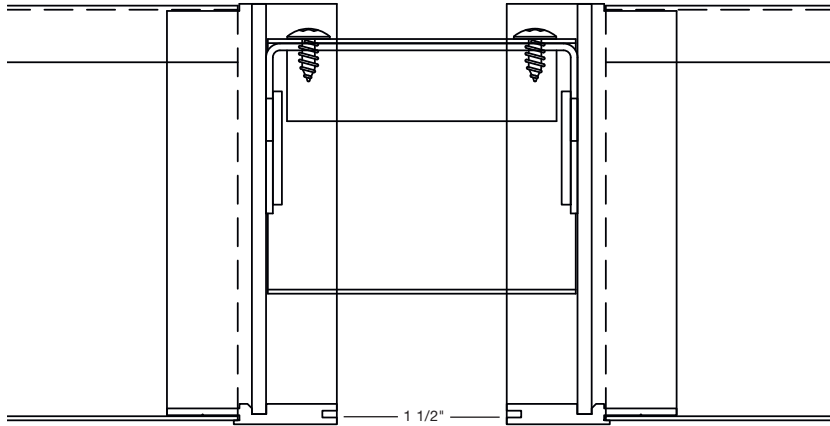


For any angular corner, ()° must be specified and dimensions must be included on the layout

For any pattern, a layout must accompany the order.

Installation Preparation

TYPICAL JOINT DETAIL



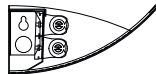
Photometry

COEFFICIENTS OF UTILIZATION - ZONAL CAVITY METHOD

pfc = 0.20

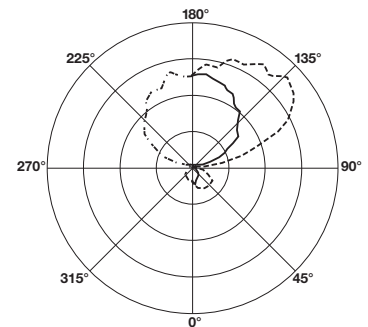
pcc	.8		.7		.5		.3		.1		0							
pw	.7	.5	.3	.1	.7	.5	.3	.1	.5	.3	.1	0						
RCR																		
0	78	78	78	78	69	69	69	69	53	53	53	38	38	38	25	25	25	18
1	71	67	64	61	63	60	57	55	46	44	42	33	32	31	19	19	19	14
2	64	58	54	50	57	52	48	44	40	37	35	28	27	25	16	16	16	11
3	58	51	45	41	51	45	41	37	35	31	29	25	23	21	13	13	13	9
4	53	45	39	34	47	40	35	31	31	27	24	22	20	18	11	11	11	8
5	49	40	34	29	43	35	30	26	27	23	21	20	17	15	9	9	9	7
6	45	35	29	25	39	32	26	22	24	21	18	18	15	13	8	8	8	6
7	41	32	26	22	36	28	23	19	22	18	15	16	13	11	7	7	7	5
8	38	29	23	19	34	26	21	17	20	16	14	14	12	10	6	6	6	5
9	35	26	20	17	31	23	18	15	18	14	12	13	11	9	5	5	5	4
10	33	24	18	15	29	21	16	13	17	13	11	12	10	8	5	5	5	4

Total Luminaire Optical Efficiency = 77.4%



CANDELA DISTRIBUTION

Vert. Angle	0	22.5	45	67.5	90
0	292	292	292	292	292
10	309	316	301	309	296
20	322	325	304	294	296
30	325	321	295	285	258
40	298	304	292	256	234
50	277	275	250	230	192
60	250	240	226	195	166
70	211	207	191	161	128
80	165	161	150	135	94.6
90	126	130	127	141	75.2
100	362	368	368	406	201
110	853	840	793	643	379
120	1208	1148	1003	833	509
130	1291	1240	1095	932	627
140	1304	1255	1155	1001	719
150	1269	1254	1177	1027	808
160	1254	1226	1157	979	857
170	1129	1068	1008	930	893
180	913	913	913	913	913



0
45
90

Lamp (2) 32w T8

Lumens: 2900 Per Lamp

Optical Distribution:
25% Direct: 75% Indirect

Day-O-Lite reserves the right to change product specifications without notice for product improvement.