

## Features

The NAS-POV is one variation of a complete group of Recessed Direct/ Indirect luminaires featuring a centered metal perforated "V" shaped lamp shield with an acrylic overlay to obscure direct lamp image. The centered perforated lamp shield is positioned below the ceiling plane. Lamp output is distributed over a computer designed reflector system to provide soft glare-free illumination. The NAS-POV series can be used in any installation where high performance and comfortable lighting are required.

## Specifications

**HOUSING:** Die formed 20-gauge cold rolled steel finished in baked white enamel. Housing has an access plate on top with two 7/8" diameter knockouts.

**SHIELDING:** Die formed 20 gauge perforated steel lamp shield has a 58% opening with white acrylic .020 translucent overlay. The end caps are 18 gauge and welded to lamp shield. The hinged lamp shield is removable for easy lamp access.

**REFLECTOR:** Die formed .020 steel 90% minimum reflectivity finished in low glare matte baked white enamel.

**ELECTRICAL:** Ballast is electronic, universal voltage 120/277, high power factor, thermally protected, sound rated A with less than 10% total harmonic distortion. The minimum number of ballasts will be used unless otherwise specified.

**BALLAST DISCONNECT:** Luminaires are pre-wired with integrated locking disconnects.

**MOUNTING:** Standard installation is 2 x 4 exposed inverted T-bar ceiling. Optional trims are also available for installations in miniature grid, drywall or plaster ceiling. For mounting detail information consult factory. Four support brackets are included with each fixture.

**FINISH:** Fixture housing and steel components are finished in baked white enamel applied over a five-stage pretreatment process.

**LAMPS:** Fixtures are provided for use with T8, T5, T5HO, or compact fluorescent lamps. (Supplied by Others)

**CERTIFICATION:** Luminaires are U.L. Listed, C.S.A. certified and are Union Made in the United States of America I.B.E.W.

TYPE

## Ordering Guide

MODEL NO.	NUMBER OF LAMPS	LAMPS	SIZE	MOUNTING	FINISH	VOLTAGE	OPTIONS
<b>NAS-POV</b>			<b>24</b>				
NAS-POV	2 3	40-CF 50-CF T8 T5 T5HO	24 = 2 x 4	G = Standard Lay-in Grid MG = Miniature Grid F = Flanged	W = White CC = Custom Color	UNV = 120/277	DIM = Dimming Ballast EPC = Emergency Battery Pack EMC = Emergency Circuit TCW = Two Circuit Wiring ARS = Air return system FWH = Flexible wiring harness OTH = Other options available, see page 355

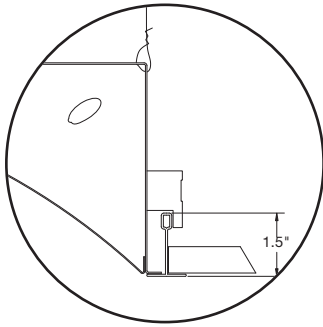
**Example »**    **NAS-POV** | **2T8** | **24** | **G** | **W** | **UNV**

New Age Series with perforated V shape lamp shield two 32 watt T8 fluorescent 2 x 4 grid fixture finished in baked white enamel universal voltage electronic ballast less than 10% harmonics.



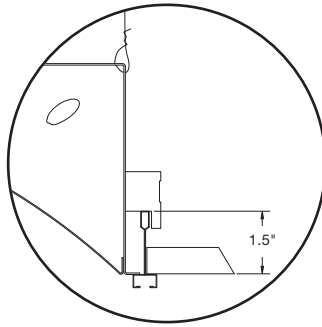
## Linear Sections and Suspension Location

**MOUNTING "G"**



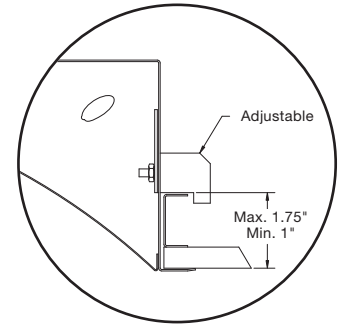
Std. 1 1/2" Inverted "T" Bar

**MOUNTING "MG"**



1 1/2" Miniature Grid Ceiling

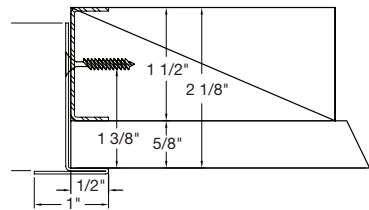
**MOUNTING "F"**



Plaster Or Dry Wall Ceiling  
(Optional)

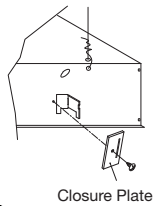
## Installation Preparation

Plaster Frame Detail (All 4 Sides)



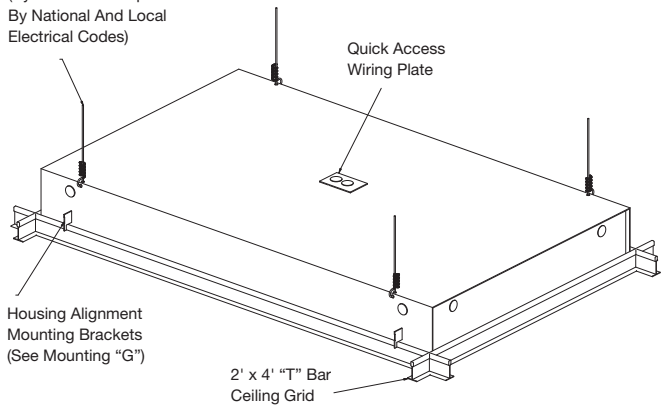
2' x 4' Plaster Frame Kit  
Dry Wall Ceiling Aperture  
25" x 49"

Side Elevation Detail  
(See Mounting "G")



Closure Plate

Wire Ties Or Chains  
(By Others As Required  
By National And Local  
Electrical Codes)



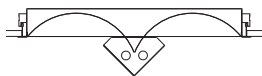
## Photometry

### COEFFICIENTS OF UTILIZATION-ZONAL CAVITY METHOD

pfc = 0.20

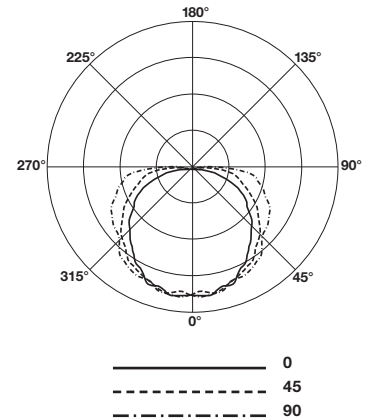
pcc	.8			.7			.5			.3			.1			0		
	.7	.5	.3	.7	.5	.3	.5	.3	.1	.5	.3	.1	.5	.3	.1	0		
<b>RCR</b>																		
0	79	79	79	79	77	77	77	77	72	72	72	69	69	69	65	65	65	64
1	69	65	61	58	67	63	60	57	60	57	54	56	54	52	53	52	50	48
2	62	55	50	45	60	54	49	44	51	46	43	48	44	41	45	42	40	38
3	56	48	41	36	54	46	41	36	44	39	35	42	37	34	39	36	33	31
4	51	42	35	30	49	41	35	30	39	33	29	37	32	28	35	31	27	26
5	47	37	30	25	45	36	30	25	34	29	25	33	28	24	31	27	23	22
6	43	33	27	22	41	32	26	22	31	25	21	29	24	21	28	24	20	19
7	40	30	24	19	38	29	23	19	28	22	19	27	22	18	25	21	18	16
8	37	27	21	17	36	26	21	17	25	20	16	24	20	16	23	19	16	14
9	34	25	19	15	33	24	19	15	23	18	15	22	18	14	21	17	14	13
10	32	23	17	13	31	22	17	13	21	17	13	21	16	13	20	16	13	11

Total Luminaire Optical  
Efficiency = 67.3%



### CANDELA DISTRIBUTION

Vert. Angle	0	22.5	45	67.5	90
0	954	954	954	954	954
5	966	925	944	963	937
15	929	923	954	921	961
25	846	875	868	898	909
35	770	783	832	861	861
45	648	670	755	755	776
55	526	569	623	693	730
65	431	442	519	638	667
75	287	305	400	525	593
85	123	200	312	432	492
95	18	77.3	134	194	213
105	4.85	15.5	25.8	50.5	70.2
115	2.73	4.72	8.30	23.9	0.17
125	2.41	2.73	2.25	1.39	0
135	1.17	1.54	1.28	0.23	0
145	0.34	0.95	0.55	0	0
155	0.54	0.45	0.24	0	0
165	1	0.3	0	0	0
175	0	0	0	0	0
180	0	0	0	0	0



Lamp (2) 32w T8

Lumens: 2900 Per Lamp

Optical Distribution:  
100% Direct

Day-O-Lite reserves the right to change product specifications without notice for product improvement.