

Features

The PTP architectural linear series is an extraordinarily efficient steel luminaire. The PTP DIS is designed with direct/indirect distribution for suspended mounting. This series can be mounted individually, in perfectly aligned continuous rows or in any of combination of patterns. This series is available with an up light component and almost limitless variety of down light shielding. The PTP series is an ideal solution for open spaces and provides maximum design versatility.

Specifications

HOUSING: Die formed 20 gauge cold rolled steel welded construction, bottom of housing has a 3/8" regression for structural rigidity and conformity. Joiner ends are notched below the lamps for ease of installation and continuous baffle appearance. Obround slots 9/16" wide on top of housing provide indirect illumination. Finished end caps are laser cut 18 gauge cold rolled steel, with no exposed hardware or knockouts. Housing aligners provide precision alignment for continuous rows.

REFLECTOR: Die formed 20-gauge cold rolled steel minimum 90% reflectivity finished in high gloss baked white enamel.

SHIELDING: Parabolic louver is semi-specular low iridescence aluminum 1 1/2" x 2" O.C. with 24 cells per 4' section.

ELECTRICAL: Ballast is electronic, universal voltage 120/277, high power factor, thermally protected, sound rated A with less than 10% total harmonic distortion. Luminaires in rows are pre-wired with quick connect through wiring. The minimum number of ballasts will be used unless otherwise specified.

BALLAST DISCONNECT: Luminaires are pre-wired with integrated locking disconnects.

MOUNTING: Standard Installation is an adjustable self-locking aircraft cable assembly 48" x 3/32" in diameter with 5" canopy. One 16/4 SJT straight 54" cord is supplied with each power feed. Standard pendants are available in 24" lengths. See Mounting Options pages for additional mounting.

FINISH: Fixture housing and steel components are finished in baked white enamel applied over a five-stage pretreatment process.

LAMPS: Fixtures are provided for use with one or two T8, T5 or T5HO lamps. (Supplied by Others)

CERTIFICATION: Luminaires are U. L. Listed, C.S.A. certified and are Union Made in the United States of America. I.B.E.W.

TYPE

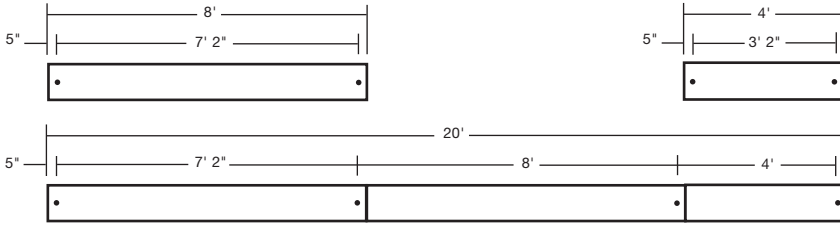
Ordering Guide

MODEL NO.	DIRECTION	SHIELDING	NUMBER OF LAMPS	LAMPS	MOUNTING	ROW LENGTH	FINISH	VOLTAGE	OPTIONS
PTP	DIS								
PTP	DIS = Direct/Indirect Symmetric	PBL = Parabolic Louver SCB = Steel Cross Baffle PRS = Prismatic Acrylic WOA = White Opal Acrylic	1 2	T8 T5 T5HO	AC = Cable PD = Pendant Other mounting options available, see pgs. 357-359	2 = 2 ft 3 = 3 ft 4 = 4 ft 5 = 5 ft 6 = 6 ft 8 = 8 ft For other, please enter row length (eg. 48 = 48 ft)	W = White CC = Custom Color	UNV = 120/277	PT3 = Parabolic Reflector (for parabolic louver) DIM = Dimming Ballast EPC = Emergency Battery Pack EMC = Emergency Circuit TWC = Two Circuit Wiring OTH = Other options available, see page 355

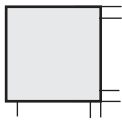
Example » PTP | DIS | PBL | 2T8 | AC | 4 | W | UNV

PTP direct indirect with parabolic louver for two 32 watt T8 lamps including two 48 inch aircraft cables and power feed four foot fixture finished in baked white universal voltage electronic ballast less than 10% total harmonic distortion.

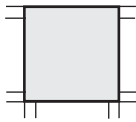
Linear Sections and Suspension Location



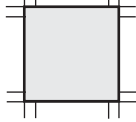
JOINERS



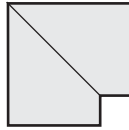
JB2
JB2-90° (Corner)
Joiner Box



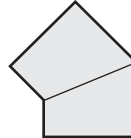
JB3
JB3-3-Way
(Tee) Joiner Box



JB4
JB4-4-Way (Cross)
Joiner Box



C2
90° Corner



()° AC
Angular
Corner

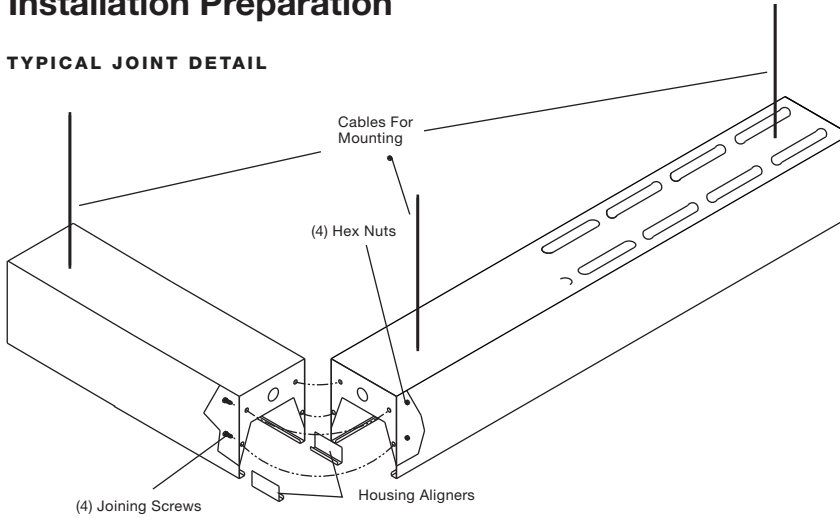
CORNERS Corners and fixture extensions are custom fabricated to precise dimensions. Please indicate the specific requirements on the layout

For any angular corner, ()° must be specified and dimensions must be included on the layout

For any pattern, a layout must accompany the order.

Installation Preparation

TYPICAL JOINT DETAIL



Photometry

COEFFICIENTS OF UTILIZATION-ZONAL CAVITY METHOD

pfc = 0.20

pcc	.8			.7			.5			.3			.1			0		
pw	.7	.5	.3	.1	.7	.5	.3	.1	.5	.3	.1	.5	.3	.1	.5	.3	.1	0

RCR

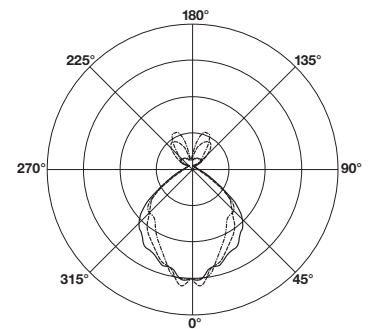
0	61	61	61	61	59	59	59	59	55	55	55	51	51	51	47	47	47	46
1	57	55	53	52	55	53	52	50	50	49	47	47	46	45	42	42	42	41
2	53	49	46	44	51	48	45	43	45	43	41	42	40	39	37	37	37	36
3	49	44	41	38	47	43	40	37	40	38	36	38	36	34	32	32	32	31
4	45	40	36	33	43	39	35	32	36	33	31	34	32	30	28	28	28	28
5	42	36	32	29	40	35	31	28	33	30	27	31	29	26	25	25	25	24
6	39	33	28	25	37	32	28	25	30	27	24	29	26	24	22	22	22	22
7	36	30	26	23	35	29	25	22	28	24	22	26	23	21	20	20	20	20
8	34	27	23	20	32	27	23	20	25	22	20	24	21	19	18	18	18	18
9	31	25	21	18	30	24	21	18	23	20	18	22	19	17	16	16	16	16
10	30	23	19	17	29	23	19	17	22	18	16	21	18	16	15	15	15	15

Total Luminaire Optical
Efficiency = 52.6%



CANDELA DISTRIBUTION

Vert. Angle	0	22.5	45	67.5	90
0	1451	1451	1451	1451	1451
10	1356	1321	1321	1320	1289
20	1243	1235	1176	1101	1072
30	1078	1028	923	902	922
40	886	795	796	938	999
50	433	470	627	741	769
60	51.3	72.3	179	362	494
70	14.3	17.7	26.3	65.9	110
80	6.54	10.2	12.2	17.4	21.4
90	0.88	1.35	1.65	1.75	1.94
100	18.8	16.9	15.7	17.5	18.2
110	49.9	37.0	32.67	33.5	34.2
120	68.6	64.0	57.9	56.5	55.2
130	70.2	103	66.9	73.1	77.7
140	57.3	157	80.8	84.4	85.7
150	48.7	166	175	105	83.4
160	49.9	125	203	208	203
170	53.9	53.3	114	164	171
180	66.1	66.1	66.1	66.1	66.1



— 0
- - - 45
- · - 90

Lamp (2) 32w T8

Lumens: 2900 Per Lamp

Parabolic Louver

Optical Distribution:
85% Direct: 15% Indirect

Day-O-Lite reserves the right to change product specifications without notice for product improvement.