

Features

The G4-DI presents a unique shallow winged profile and is one variation of a complete family of suspended linear fluorescent luminaires. The G4-DI is a direct/indirect version of the family of luminaires and provides exceptional performance. Constructed of perforated steel and aluminum extrusions, it features a “reveal” between modules in continuous rows. The computer designed optical system creates a widespread indirect distribution while offering a wide variety of direct perforated accent patterns along its wings creating its own unique styling contrast.

Specifications

HOUSING: One piece die formed 20 gauge cold rolled steel welded construction forming a 2 5/8" x 11" wave profile. Perforated cluster sections with white .020 translucent overlay. The housing ends are die formed extruded aluminum. The decorative intermediate end caps are provided for mounting and joining individual fixtures in rows. Finished ends are laser cut aluminum, with no exposed hardware or knockouts.

REFLECTOR: Die formed 20-gauge cold rolled steel minimum 90% reflectivity in high gloss white enamel with die formed center reflector.

ELECTRICAL: Ballast is electronic, low-profile, universal voltage 120/277, high power factor, thermally protected, sound rated A with less than 10% total harmonic distortion. Luminaires in rows are pre-wired with quick connect through wiring. The minimum number of ballasts will be used unless otherwise specified. Please consult factory for lamp/ballast availability.

BALLAST DISCONNECT: Luminaires are pre-wired with integrated locking disconnects.

MOUNTING: Standard Installation is an adjustable self-locking aircraft cable assembly 48" x 3/32" in diameter with 5" canopy. One 16/4 SJT straight 54" cord is supplied with each power feed. Standard pendants are available in 24" lengths. See Mounting Options pages for additional mounting.

FINISH: Fixture housing and steel components are finished in baked white enamel applied over a five-stage pretreatment process.

LAMPS: Fixtures are provided for use with two T8 lamps. (Supplied by Others)

CERTIFICATION: Luminaires are U. L. Listed, C.S.A. certified and are Union Made in the United States of America I.B.E.W.

TYPE

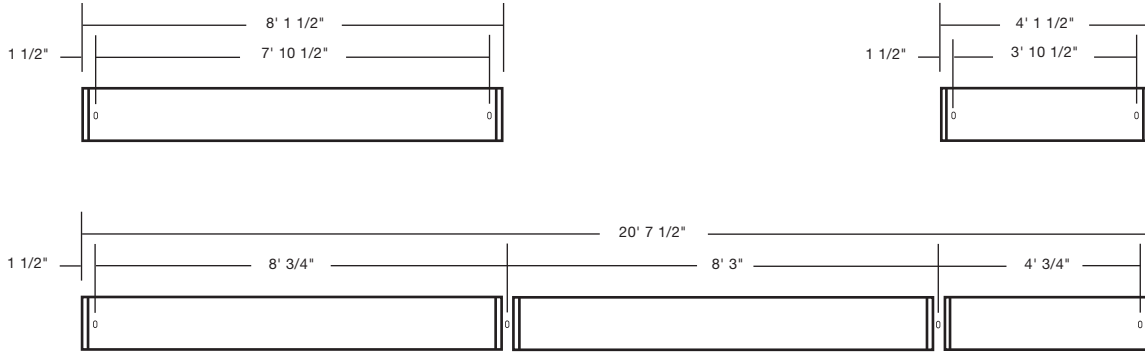
Ordering Guide

| MODEL NO. | DIRECTION | SHIELDING | NUMBER OF LAMPS | LAMPS | MOUNTING | ROW LENGTH | FINISH | VOLTAGE | OPTIONS |
|-----------|---------------------------------|--|-----------------|-----------|---|--|---|-------------------------|---|
| G4 | DI | 3 | | | | | | | |
| G4 | DI = Direct/ Indirect | 3 = Perforated Continuous (shown) Other shielding options avail- able, see page 360 | 2 | T8 | AC = Cable PD = Pendant Other mount- ing options available, see pgs. 357-359 | 4 = 4 ft 8 = 8 ft For other, please enter row length (eg. 48 = 48 ft) | W = White CC = Custom Color | UNV = 120/277 | DIM = Dimming Ballast EPC = Emergency Battery Pack EMC = Emergency Circuit TCW = Two Circuit Wiring OTH = Other options available, see page 355 |

Example » **G4** | **DI** | **3** | **2T8** | **AC** | **4** | **W** | **UNV**

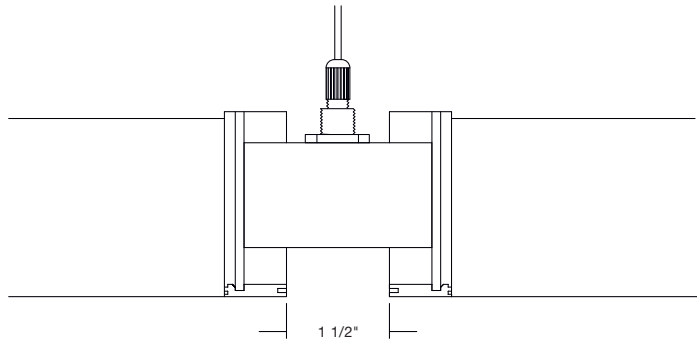
Generation Four with perforated cluster sections with opal overlay for two 32 watt T8 lamps with two 48 inch aircraft cables and power feed four foot fixture finished in baked white enamel with universal voltage electronic ballast less than 10% total harmonic distortion.

Linear Sections and Suspension Location

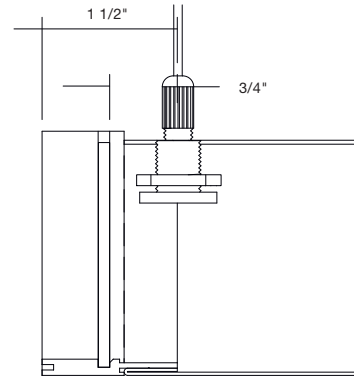


Installation Preparation

TYPICAL JOINT DETAIL



TYPICAL END DETAIL



Photometry

COEFFICIENTS OF UTILIZATION-ZONAL CAVITY METHOD

pfc = 0.20

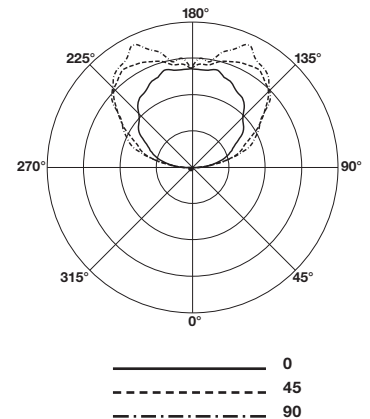
| pcc | .8 | | .7 | | .5 | | .3 | | .1 | | 0 | | | | | | | |
|-----|----|----|----|----|----|----|----|----|----|----|----|----|----|----|----|----|----|----|
| | .7 | .5 | .3 | .1 | .7 | .5 | .3 | .1 | .7 | .5 | .3 | .1 | 0 | | | | | |
| RCR | | | | | | | | | | | | | | | | | | |
| 0 | 83 | 83 | 83 | 83 | 72 | 72 | 72 | 72 | 53 | 53 | 53 | 35 | 35 | 35 | 18 | 18 | 18 | 10 |
| 1 | 75 | 71 | 68 | 65 | 65 | 62 | 60 | 57 | 45 | 43 | 42 | 29 | 28 | 27 | 14 | 14 | 14 | 7 |
| 2 | 68 | 62 | 57 | 53 | 59 | 54 | 50 | 46 | 39 | 37 | 34 | 26 | 24 | 23 | 11 | 11 | 11 | 6 |
| 3 | 62 | 54 | 48 | 44 | 54 | 47 | 42 | 38 | 34 | 31 | 28 | 22 | 20 | 19 | 9 | 9 | 9 | 5 |
| 4 | 56 | 48 | 41 | 36 | 49 | 42 | 36 | 32 | 30 | 27 | 24 | 20 | 18 | 16 | 8 | 8 | 8 | 4 |
| 5 | 52 | 42 | 36 | 31 | 45 | 37 | 31 | 27 | 27 | 23 | 20 | 18 | 15 | 13 | 6 | 6 | 6 | 3 |
| 6 | 47 | 38 | 31 | 26 | 41 | 33 | 27 | 23 | 24 | 20 | 17 | 16 | 13 | 12 | 6 | 6 | 6 | 3 |
| 7 | 44 | 34 | 27 | 23 | 38 | 29 | 24 | 20 | 22 | 18 | 15 | 14 | 12 | 10 | 5 | 5 | 5 | 2 |
| 8 | 40 | 30 | 24 | 20 | 35 | 27 | 21 | 18 | 19 | 16 | 13 | 13 | 10 | 9 | 4 | 4 | 4 | 2 |
| 9 | 37 | 27 | 21 | 17 | 32 | 24 | 19 | 15 | 18 | 14 | 12 | 12 | 9 | 8 | 4 | 4 | 4 | 2 |
| 10 | 35 | 25 | 19 | 15 | 30 | 22 | 17 | 14 | 16 | 13 | 10 | 11 | 8 | 7 | 3 | 3 | 3 | 2 |

Total Luminaire Optical Efficiency = 84.7%



CANDELA DISTRIBUTION

| Vert. Angle | 0 | 22.5 | 45 | 67.5 | 90 |
|-------------|------|------|------|------|------|
| 0 | 143 | 143 | 143 | 143 | 143 |
| 10 | 135 | 138 | 140 | 142 | 143 |
| 20 | 131 | 132 | 136 | 135 | 142 |
| 30 | 124 | 127 | 129 | 129 | 135 |
| 40 | 108 | 110 | 118 | 116 | 118 |
| 50 | 98.2 | 96.0 | 100 | 104 | 111 |
| 60 | 74.9 | 78.7 | 83.8 | 104 | 107 |
| 70 | 60.6 | 58.6 | 76.5 | 98.9 | 103 |
| 80 | 36.0 | 44.1 | 69.3 | 86.8 | 94.5 |
| 90 | 25.9 | 41.3 | 58.9 | 75.3 | 80.6 |
| 100 | 195 | 268 | 309 | 311 | 304 |
| 110 | 408 | 447 | 555 | 623 | 648 |
| 120 | 611 | 623 | 748 | 827 | 852 |
| 130 | 799 | 791 | 866 | 970 | 1014 |
| 140 | 955 | 946 | 984 | 1024 | 1042 |
| 150 | 1065 | 1074 | 1074 | 1103 | 1105 |
| 160 | 1196 | 1185 | 1190 | 1156 | 1169 |
| 170 | 1269 | 1250 | 1244 | 1243 | 1237 |
| 180 | 1262 | 1262 | 1262 | 1262 | 1262 |



Lamp (2) 32w T8

Lumens: 2900 Per Lamp

Optical Distribution:
10% Direct: 90% Indirect

Day-O-Lite reserves the right to change product specifications without notice for product improvement.