

Features

The NAS-PS is one variation of a complete group of Recessed Direct luminaires featuring two side metal perforated lamp shields with an acrylic overlay to obscure direct lamp image. The two side perforated lamp shields are positioned above the ceiling plane. Lamp output is distributed over a computer designed reflector system to provide soft glare-free illumination. The NAS-PS series can be used in any installation where high performance and comfortable lighting are required.

Specifications

HOUSING: Die formed 20-gauge cold rolled steel finished in baked white enamel. Housing has an access plate on top with two 7/8" diameter knockouts.

SHIELDING: Die formed 20 gauge perforated steel lamp shields has a 58% opening with white acrylic .020 translucent overlay. The hinged lamp shield is removable for easy lamp access.

REFLECTOR: Die formed .020 steel 90% minimum reflectivity finished in low glare matte baked white enamel.

ELECTRICAL: Ballast is electronic, universal voltage 120/277, high power factor, thermally protected, sound rated A with less than 10% total harmonic distortion. The minimum number of ballasts will be used unless otherwise specified.

BALLAST DISCONNECT: Luminaires are pre-wired with integrated locking disconnects.

MOUNTING: Standard installation is 2 x 4 exposed inverted T-bar ceiling. Optional trims are also available for installations in miniature grid, drywall or plaster ceiling. For mounting detail information consult factory. Four support brackets are included with each fixture.

FINISH: Fixture housing and steel components are finished in baked white enamel applied over a five-stage pretreatment process.

LAMPS: Fixtures are provided for use with T8, T5, T5HO, or compact fluorescent lamps. (Supplied by Others)

CERTIFICATION: Luminaires are U.L. Listed, C.S.A. certified and are Union Made in the United States of America I.B.E.W.

TYPE

Ordering Guide

MODEL NO.	NUMBER OF LAMPS	LAMPS	SIZE	MOUNTING	FINISH	VOLTAGE	OPTIONS
NAS-PS			24				
NAS-PS	2 4	40CF 50CF T8 T5 T5HO	24 = 2 x 4	G = Standard Lay-in Grid MG = Miniature Grid F = Flanged	W = White CC = Custom Color	UNV = 120/277	DIM = Dimming Ballast EPC = Emergency Battery Pack EMC = Emergency Circuit TCW = Two Circuit Wiring ARS = Air return system FWH = Flexible wiring harness OTH = Other options available, see page 355

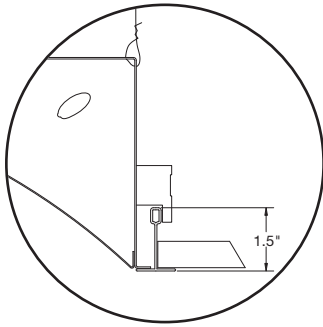
Example » **NAS-PS** | **2** | **T8** | **24** | **G** | **W** | **UNV**

New Age Series with two perforated lamp shields two 32 watt T8 fluorescent 2 x 4 grid fixture finished in baked white enamel universal voltage electronic ballast less than 10% harmonics.



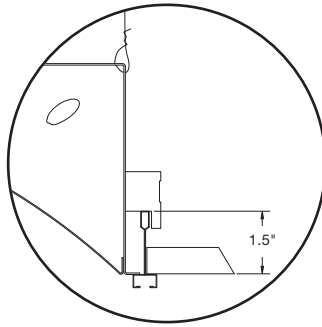
Linear Sections and Suspension Location

MOUNTING "G"



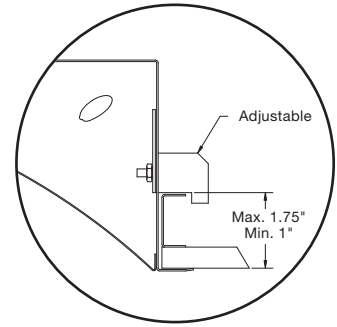
Std. 1 1/2" Inverted "T" Bar

MOUNTING "MG"



1 1/2" Miniature Grid Ceiling

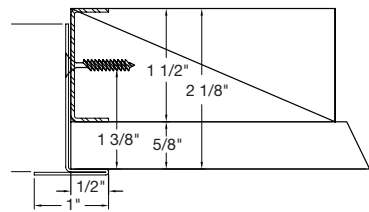
MOUNTING "F"



Plaster Or Dry Wall Ceiling
(Optional)

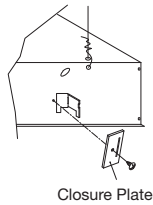
Installation Preparation

Plaster Frame Detail (All 4 Sides)



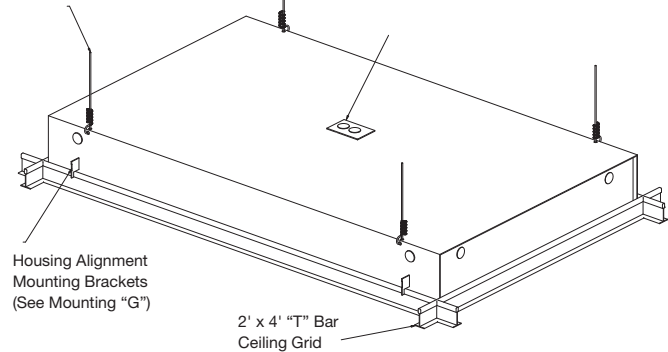
2' x 4' Plaster Frame Kit
Dry Wall Ceiling Aperture
25" x 49"

Side Elevation Detail
(See Mounting "G")



Wire Ties Or Chains
(By Others As Required
By National And Local
Electrical Codes)

Quick Access
Wiring Plate



Photometry

COEFFICIENTS OF UTILIZATION-ZONAL CAVITY METHOD

pfc = 0.20

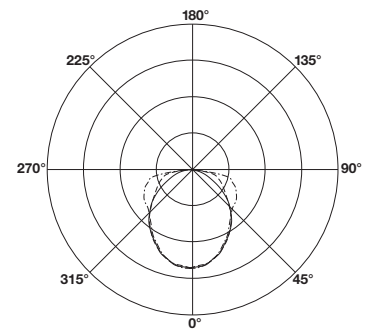
pcc	.8				.7				.5				.3				.1				0														
pw	.7	.5	.3	.1	.7	.5	.3	.1	.5	.3	.1	.5	.3	.1	.5	.3	.1	.5	.3	.1	.5	.3	.1	.5	.3	.1	.5	.3	.1	.5	.3	.1	.5	.3	.1
RCR																																			
0	80	80	80	80	78	78	78	78	75	75	75	71	71	71	69	69	69	67	67	67	67	67	67	67	67	67	67	67	67	67	67	67	67	67	67
1	72	68	65	62	70	67	64	61	64	61	59	61	59	57	59	57	55	54	54	54	54	54	54	54	54	54	54	54	54	54	54	54	54	54	54
2	65	59	54	49	63	57	53	49	55	51	48	53	49	47	51	48	45	44	44	44	44	44	44	44	44	44	44	44	44	44	44	44	44	44	44
3	59	51	45	41	57	50	45	40	48	43	39	46	42	39	44	41	38	36	36	36	36	36	36	36	36	36	36	36	36	36	36	36	36	36	36
4	54	45	39	34	52	44	38	34	43	37	33	41	36	33	39	36	32	31	31	31	31	31	31	31	31	31	31	31	31	31	31	31	31	31	31
5	49	40	34	29	48	39	33	29	38	33	29	37	32	28	35	31	28	26	26	26	26	26	26	26	26	26	26	26	26	26	26	26	26	26	26
6	46	36	30	25	44	36	30	25	34	29	25	33	28	25	32	28	25	23	23	23	23	23	23	23	23	23	23	23	23	23	23	23	23	23	23
7	42	33	27	22	41	32	26	22	31	26	22	30	25	22	29	25	22	20	20	20	20	20	20	20	20	20	20	20	20	20	20	20	20	20	20
8	39	30	24	20	38	29	24	20	28	23	20	28	23	20	27	23	19	18	18	18	18	18	18	18	18	18	18	18	18	18	18	18	18	18	18
9	37	27	22	18	36	27	22	18	26	21	18	25	21	18	25	21	18	16	16	16	16	16	16	16	16	16	16	16	16	16	16	16	16	16	16
10	34	25	20	16	34	25	20	16	24	19	16	24	19	16	23	19	16	15	15	15	15	15	15	15	15	15	15	15	15	15	15	15	15	15	15

Total Luminaire Optical
Efficiency = 67.8%



CANDELA DISTRIBUTION

Vert. Angle	0	22.5	45	67.5	90
0	1345	1345	1345	1345	1345
5	1331	1319	1316	1302	1344
10	1319	1319	1306	1308	1309
15	1260	1262	1268	1266	1262
20	1215	1217	1206	1205	1196
25	1129	1161	1139	1129	1111
30	1058	1080	1062	1032	1040
35	982	997	973	953	948
40	902	913	893	879	874
45	798	811	792	801	817
50	704	709	698	748	782
55	589	602	616	720	772
60	475	492	553	688	747
65	363	388	501	646	707
70	278	308	451	612	668
75	206	249	398	553	602
80	138	195	328	473	519
85	71.4	105	151	178	188
90	10.9	10.9	11.3	11.5	13.5



— 0
- - - 45
- · - · 90

Lamp (2) 32w T8

Lumens: 2900 Per Lamp

Optical Distribution:
100% Direct

Day-O-Lite reserves the right to change product specifications without notice for product improvement.