

## Features

The Jazz Sconce is one variation of the complete family of direct/ indirect luminaires. Suitable for 4" maximum projection from the wall as required by the Americans with Disabilities Act (ADA). This matching Jazz sconce complements the Jazz series. The computer designed optical system creates a spray of direct and indirect lighting, while the facade of the luminaire provides useful contrast.

## Specifications

**HOUSING:** One piece die formed 20-gauge cold rolled steel welded construction forming a 9" or 14" x 8" x 3 1/2" rounded profile. Continuous perforated sections are 1/16" x 3/32" straight centers with white .020 translucent overlay.

**REFLECTOR:** Die formed 20-gauge cold rolled steel minimum 90% reflectivity finished in high gloss baked white enamel.

**ELECTRICAL:** Ballast is electronic, universal voltage 120/277, high power factor, thermally protected, sound rated A with less than 10% total harmonic distortion. The minimum number of ballasts will be used unless otherwise specified.

**BALLAST DISCONNECT:** Luminaires are pre-wired with integrated locking disconnects.

**MOUNTING:** Standard installation is mounting plate on back of fixture including key slots for ease of installation.

**FINISH:** Fixture housing and steel components are finished in baked white enamel applied over a five-stage pretreatment process.

**LAMPS:** Fixtures are provided for use with two, 4-pin electronic compact fluorescent lamps. (Supplied by Others)

**CERTIFICATION:** Luminaires are U.L. Listed, C.S.A. certified and are Union Made in the United States of America I.B.E.W.

TYPE

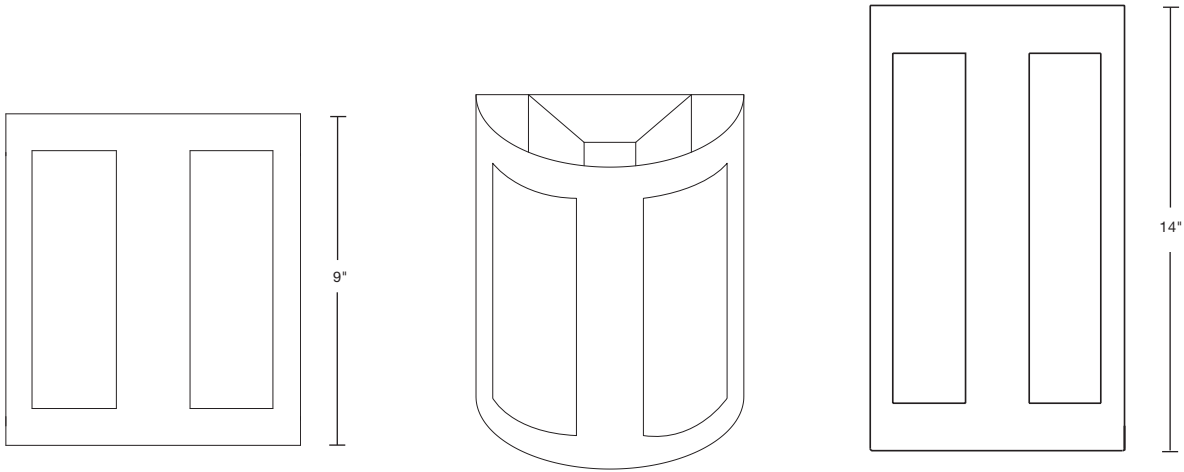
## Ordering Guide

MODEL NO.	DIRECTION	LAMPS	MOUNTING	LENGTH	FINISH	VOLTAGE	OPTIONS
<b>JAZ SCO</b>	<b>DI</b>						
<b>JAZ SCO</b>	<b>DI = Direct/ Indirect</b>	<b>213 CF</b> <b>218 CF</b> <b>226 CF</b>	<b>WM = Wall Mount</b>	<b>9"</b> <b>14"</b>	<b>W = White</b> <b>CC = Custom Color</b>	<b>UNV =</b> <b>120/277</b>	<b>DIM = Dimming Ballast</b> <b>EPC = Emergency Battery Pack</b> <b>EMC = Emergency Circuit</b> <b>TCW = Two Circuit Wiring</b> <b>OTH = Other options available, see page 355</b>

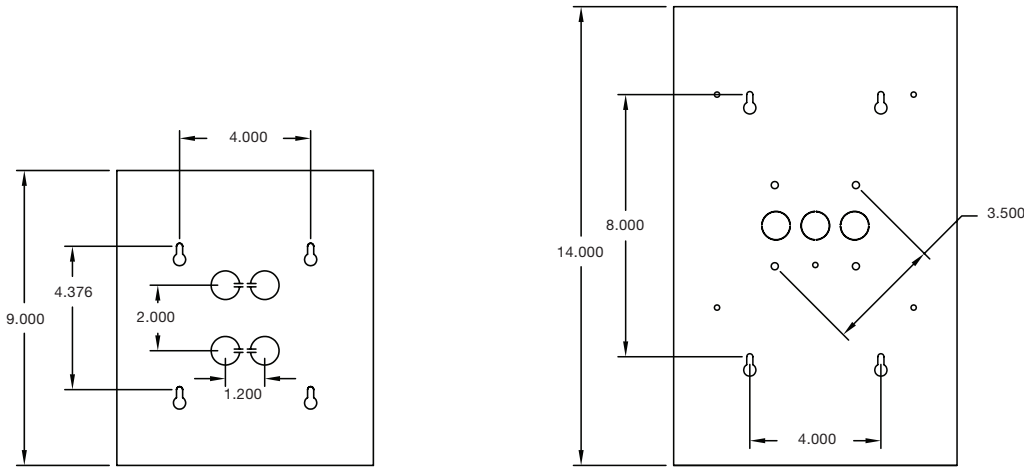
**Example »** JAZ SCO | DI | 213CF | WM | 9 | W | UNV

Jazz Sconce fixture continuous perforated pattern with opal overlay for two 13watt compact fluorescent lamps with 9 inch length finished in baked white enamel with universal voltage electronic ballast less than 10% total harmonic distortion.

## Linear Sections and Suspension Location



## Installation Preparation



## Photometry

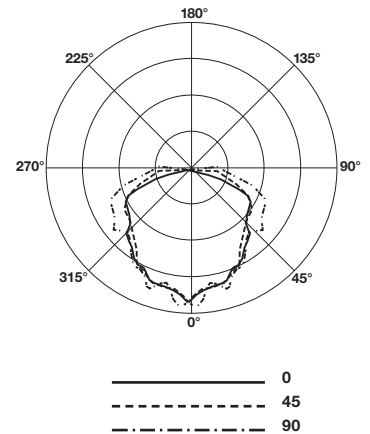
### COEFFICIENTS OF UTILIZATION - ZONAL CAVITY METHOD

pfc = 0.20

pcc	.8				.7				.5				.3				.1				0
	.7	.5	.3	.1	.7	.5	.3	.1	.5	.3	.1	.5	.3	.1	.5	.3	.1	.5	.3	.1	0
RCR																					
0	65	65	65	65	63	63	63	63	61	61	61	58	58	58	56	56	56	54	54	54	54
1	56	53	49	46	55	51	48	45	49	46	44	47	44	42	44	43	41	40	40	40	40
2	50	44	39	35	49	43	39	35	41	37	34	39	36	33	37	35	32	31	31	31	31
3	45	38	32	28	44	37	32	28	35	31	27	34	30	27	32	29	26	25	25	25	25
4	41	33	27	23	40	32	27	23	31	26	22	29	25	22	28	25	22	20	20	20	20
5	37	29	24	19	36	29	23	19	27	23	19	26	22	19	25	21	19	17	17	17	17
6	34	26	21	17	33	26	20	17	25	20	16	24	19	16	23	19	16	15	15	15	15
7	32	24	18	14	31	23	18	14	22	18	14	21	17	14	21	17	14	13	13	13	13
8	30	21	16	13	29	21	16	13	20	16	13	20	15	13	19	15	12	11	11	11	11
9	28	20	15	11	27	19	15	11	19	14	11	18	14	11	17	14	11	10	10	10	10
10	26	18	13	10	25	18	13	10	17	13	10	17	13	10	16	13	10	9	9	9	9

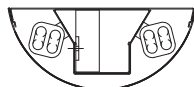
### CANDELA DISTRIBUTION

Vert. Angle	0	22.5	45	67.5	90
0	262	262	262	262	262
5	242	228	236	238	265
10	237	236	237	245	228
15	233	236	233	234	233
20	232	234	230	227	244
25	213	228	220	223	218
30	210	210	210	209	217
35	199	196	186	195	202
40	182	177	174	182	185
45	180	165	164	171	172
50	159	151	158	160	173
55	146	144	151	172	188
60	143	146	152	167	175
65	140	139	147	165	171
70	137	128	137	164	169
75	119	118	130	152	162
80	89.1	104	116	137	144
85	55.0	88.9	100	120	129
90	41.3	77.6	87.2	110	112



Lamp (2) 213 CF  
Lumens: 900 per lamp

Total Luminaire Optical  
Efficiency = 56.2%



Day-O-Lite reserves the right to change product specifications without notice for product improvement.