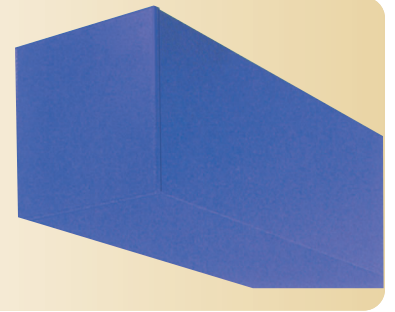
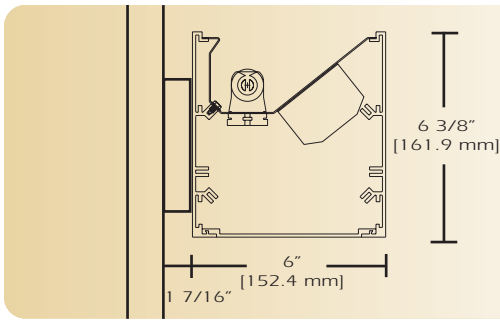


# Squares

AD-66-IAI-WM



TYPE \_\_\_\_\_

FEATURES

The AD 66 architectural linear series are extraordinarily efficient aluminum luminaires. The AD 66 IAI WM is designed with an asymmetric inward indirect distribution for wall mounting. This series can be mounted individually, in perfectly aligned continuous rows, or in any combination of patterns. The AD 66 series is an ideal solution for open spaces and provides maximum design versatility.

SPECIFICATIONS

**Housing:** One piece heavy gauge extruded aluminum 6063T5 alloy welded construction forming a 6" x 6 3/8" profile. Finished end caps are welded to housing with no exposed hardware or knockouts.

**Reflector:** Die formed 20-gauge cold rolled steel minimum 90% reflectivity finished in high gloss baked white enamel.

**Electrical:** Ballast is electronic, high power factor, thermally protected class P, sound rated A, with less than 20% total harmonic distortion. The minimum number of ballasts will be used unless otherwise specified.

**Mounting:** Provided with wall mounting brackets measuring 5" square by 1 7/16" deep. Finished in white to match housing.

**Finish:** Fixture housing and steel components are finished in baked white enamel applied over a five-stage pretreatment process.

**Lamps:** Fixtures are provided for use with one 32 watt T8 lamps or 54 watt T5 HO lamps. (Supplied by Others)

**Certification:** Luminaires are U. L. Listed, C. S. A. certified and are Union Made in the United States of America I.B.E.W.

ORDERING GUIDE

MODEL NO.	DIRECTION	NO. OF LAMPS	LAMPS	MOUNTING	LENGTH	FINISH	VOLTAGE	OPTIONS
<b>AD66</b>	<b>IAI</b>	<input type="text" value="1"/>	<input type="text" value="17 T8 (2)"/>	<input type="text" value="WM= Wall"/>	<input type="text" value="2= ft"/>	<input type="text" value="W= White"/>	<input type="text" value="120v"/>	<input type="text" value="See Options Below"/>
<b>AD66</b>	<b>IAI=</b> Indirect/ Asymmetric In	<b>1= 1</b>	<b>25 T8 (3)</b> <b>32 T8 (4)</b> <b>40 T8 (5)</b> <b>28 T5 (4)</b> <b>54 T5 HO (4)</b>	<b>WM= Wall</b>	<b>3= ft</b> <b>4= ft</b> <b>5= ft</b> <b>6= ft</b> <b>8= ft</b>	<b>CC= Custom</b> Color	<b>277v</b>	
			<b>O=Other</b> Specify	See Accessories	for other, please enter row length (eg. 48=48ft)			

Example: **AD-66-IAI-132T8-WM-4-W-120V**  
 AD-66 indirect asymmetric in for one 32 watt T8 lamps wall mounted four foot fixture finished in baked white enamel 120v electronic ballast less than 20% total harmonic distortion.

OPTIONS

- E10=** Electronic ballast, high power factor, thermally protected class P, sound rated A, < 10% total harmonic distortion
- DIM=** Dimming Ballast
- EPC=** Emergency Battery Pack
- EMC=** Emergency Circuit
- TCW=** Two Circuit Wiring
- TDW=** Tandem Wiring
- OTH=** See Accessories for other options available

