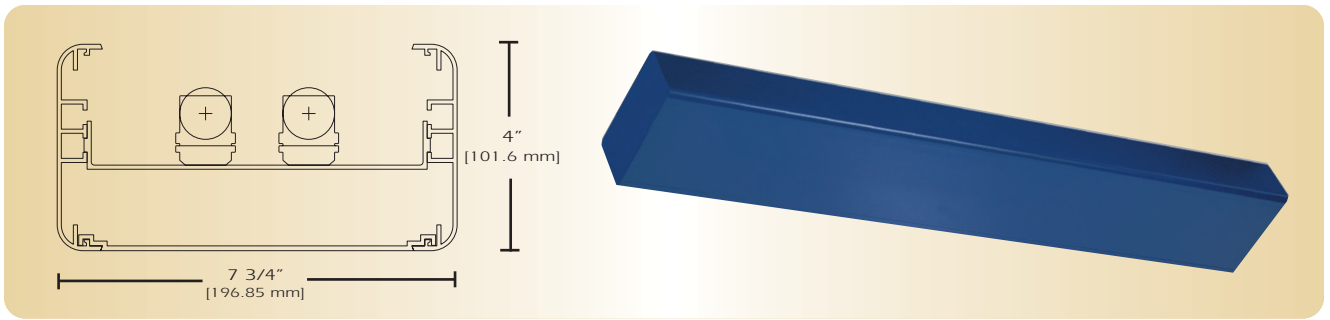


Squares

AD-SS7-I



TYPE _____

FEATURES

The AD-SS7 soft square series is an extruded aluminum luminaire. The luminaires can be mounted individually, in rows or in any of combination of patterns. The luminaires in this series provide low glare and widespread illumination. The simplicity of the AD-SS7 series is the solution for open spaces while providing maximum design versatility to meet the perceived source of illumination for a specific environment.

SPECIFICATIONS

Housing: Three piece heavy gauge extruded aluminum 6063T5 alloy welded construction forming a 4" x 7 3/4" soft square profile. Finished end caps are welded with no exposed hardware or knockouts.

Reflector: Die formed 20-gauge cold rolled steel minimum 90% reflectivity finished in high gloss baked white enamel.

Electrical: Ballast is electronic, high power factor, thermally protected class P, sound rated A, with less than 20% total harmonic distortion. The minimum number of ballasts will be used unless otherwise specified.

Mounting: Standard installation is an adjustable self-locking aircraft assembly 48" x 3/32" in diameter with 5" canopy. One 1/4 SJT straight 54" cord is supplied with each power feed. Standard pendants are available in 24" lengths. See Accessories for additional mounting.

Finish: Fixture housing and steel components are finished in baked white enamel applied over a five-stage pretreatment process.

Lamps: Fixtures are provided for use with one, two or three 32 watt T8 lamps or 54 watt T5 HO lamps. (Supplied by Others)

Certification: Luminaires are U. L. Listed, C. S. A. certified and are Union Made in the United States of America I.B.E.W.

ORDERING GUIDE

MODEL NO.	DIRECTION	LAMPS	MOUNTING	LENGTH	FINISH	VOLTAGE	OPTIONS
AD-SS7	I						
AD-SS7	I= Indirect	132 T8 232 T8 332 T8 154T5 HO 254T5 HO 354T5 HO O= Other Specify	AC= Cable PD= Pendant WM= Wall Mounted See Accessories	4= ft 8= ft for other, please enter row length (ea. 48=48ft)	W= White CC= Custom Color	120v 277v	See Options Below

Example: **AD-SS7-I-232T8-AC-4-W-120V**

AD-SS7 indirect for two 32 watt T8 lamps including two 48 inch aircraft cables and power feed four foot fixture finished in baked white enamel 120v electronic ballast less than 20% total harmonic distortion.

OPTIONS

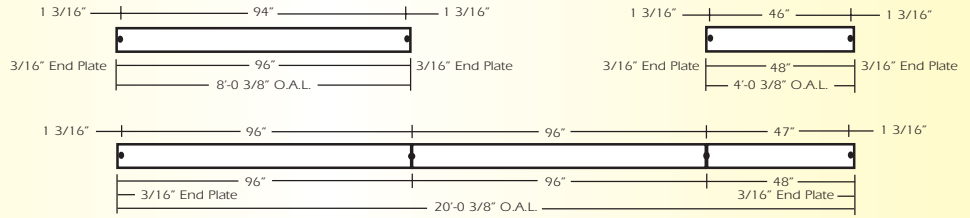
- E10=** Electronic ballast, high power factor, thermally protected class P, sound rated A, < 10% total harmonic distortion
- DIM=** Dimming Ballast
- EPC=** Emergency Battery Pack
- EMC=** Emergency Circuit
- TCW=** Two Circuit Wiring
- TDW=** Tandem Wiring
- OTH=** See Accessories for other options available

Squares

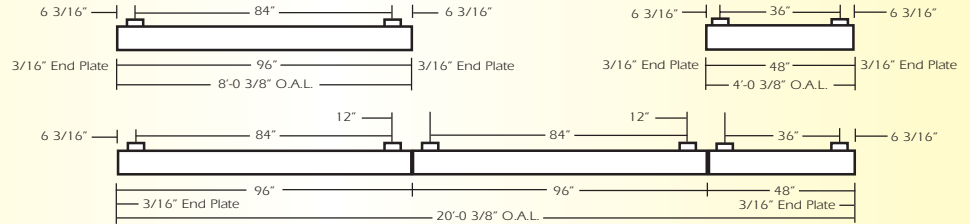
AD-SS7-1

LINEAR SECTIONS AND SUSPENSION LOCATION

SUSPENSION MOUNTING

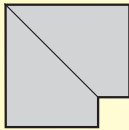


WALL MOUNTING

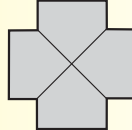


CORNERS

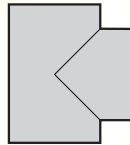
Corners and fixture extensions are custom fabricated to precise dimensions. Please indicate the specific requirements on the layout



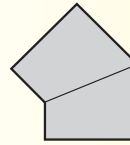
C2
90° Corner



C4
4-Way
Corner
(Cross)



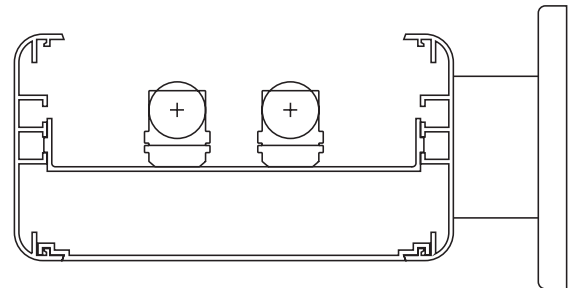
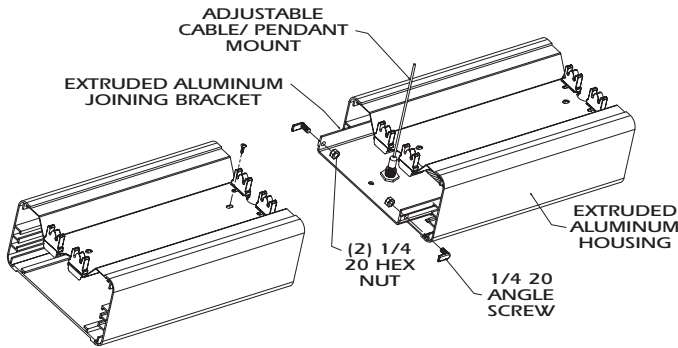
C3
3-Way
Corner
(Tee)



()° AC
Angular
Corner

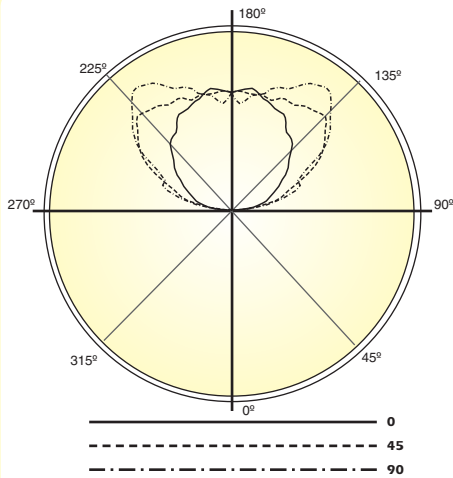
For any angular corner, ()° must be specified and dimensions must be included on the layout
For any pattern, a layout must accompany the order.

INSTALLATION PREPARATION



WALL BRACKET

PHOTOMETRY



LAMP (2) 32W T8
LUMENS: 2900 PER LAMP

Candela Distribution:

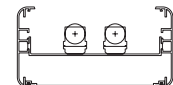
Vert. Angle	0	22.5	45	67.5	90
90	27	20	20	20	18
95	169	166	171	169	164
100	277	337	368	361	382
105	369	466	511	571	586
110	429	642	611	654	711
115	501	749	813	729	714
120	577	834	997	944	919
125	676	894	1112	1155	1139
130	736	954	1197	1275	1259
135	832	956	1295	1386	1371
140	915	980	1261	1465	1503
145	940	1040	1244	1418	1491
150	1055	1040	1188	1341	1430
155	1070	1054	1205	1244	1308
160	1112	1091	1142	1251	1283
165	1146	1166	1166	1152	1172
170	1204	1187	1143	1132	1141
175	1177	1241	1165	1129	1047
180	1152	1152	1152	1152	1152

Optical Distribution:
100% Indirect

Coefficients of Utilization - Zonal Cavity Method:

pfc = 0.20

	.8	.7	.5	.3	.1	0												
pcc	.8	.7	.5	.3	.1	0												
pw	.7	.5	.3	.1	.5	.3	.1	.5	.3	.1	0							
RCR																		
0	82	82	82	82	70	70	70	48	48	48	28	28	28	9	9	9	0	
1	75	72	68	66	64	61	59	56	42	40	39	24	23	23	7	7	7	0
2	68	62	58	54	58	53	50	46	37	34	32	21	20	19	6	6	6	0
3	62	55	49	44	53	47	42	38	32	29	27	19	17	16	5	5	5	0
4	57	48	42	37	48	41	36	32	28	25	23	16	15	13	4	4	4	0
5	52	43	36	32	44	37	31	27	25	22	19	15	13	11	4	4	4	0
6	47	38	32	27	40	33	27	23	22	19	17	13	11	10	3	3	3	0
7	44	34	28	23	37	29	24	20	20	17	14	12	10	9	3	3	3	0
8	40	30	24	20	34	26	21	18	18	15	12	11	9	7	2	2	2	0
9	37	27	22	18	32	24	19	15	16	13	11	10	8	6	2	2	2	0
10	35	25	19	15	29	22	17	13	15	12	10	9	7	6	2	2	2	0



Total Luminaire Optical
Efficiency = 86.5%